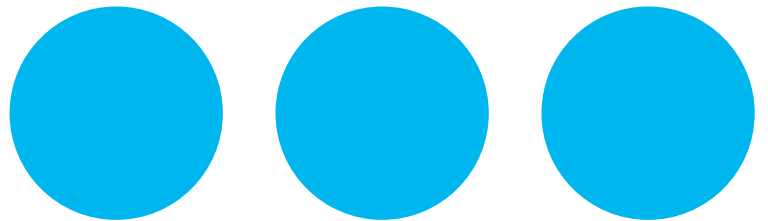
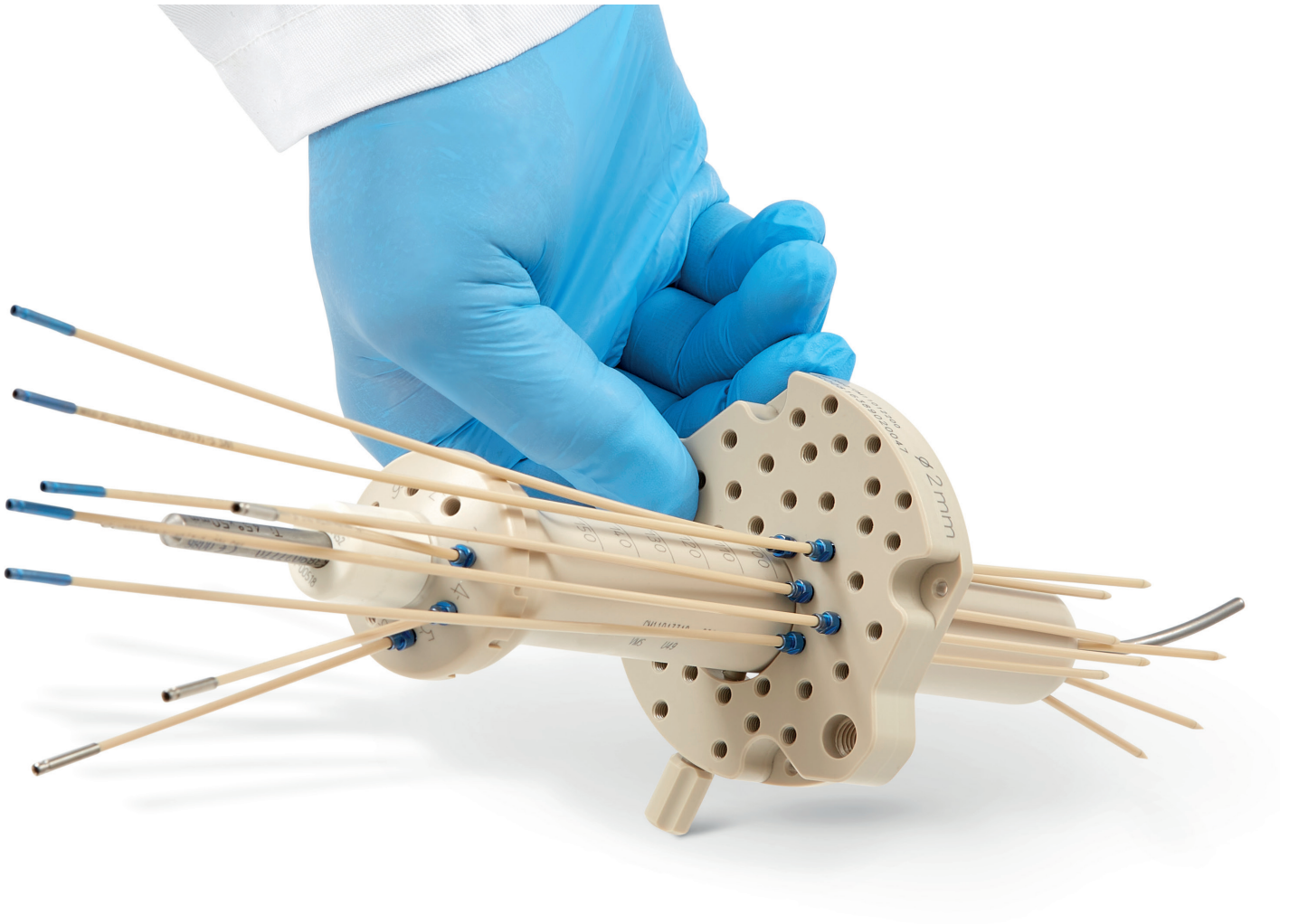


# Brachytherapy



## Applicators & Accessories

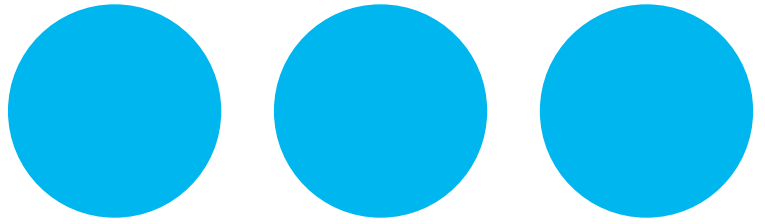
Specifications subject to change without notice. Not all features and options listed in this document are available in all markets. This catalog is a helpful guide. Please consult the Instructions for Use, User Manuals and [MyVarian.com](http://MyVarian.com) for labelling and additional product information.



## People powering new victories

Your brachytherapy practice is dynamic, and the cancers you see are as varied as your patients. We share your desire to provide the best patient care possible.

Our common commitment to offer the best treatment options available is the driving force behind everything we do.



## What's inside

Intracavitary Applicators .....	5
Interstitial Applicators .....	77
Intraluminal Applicators.....	103
Surface Applicators .....	115
Accessory Kits.....	129
Other Applicator Accessories .....	139
Discontinued Applicators.....	166



# Intracavitary Applicators





# Table of Contents

## Intracavitary Applicators

Product #	Description	
GM11011100	Universal Segmented Cylinder Applicator Set	9
GM11011160	Universal Stump Applicator Set	11
GM11011400	Universal Multi-channel Cylinder Set	13
GM11013300	Universal Interstitial Cylinder	15
GM11011500	Universal Cervix Probe Set, odd length	19
GM11011700	Universal Cervix Probe Set, even length	21
GM11013100	Universal Titanium Cervix Probe Set, even lengths	23
GM11013200	Universal Titanium Cervix Probe Set, odd lengths	25
GM11004380	Shielded Applicator Set	27
GM11009840	Universal Endometrial Applicator Set	29
GM11004580	Heyman Packing Applicator Set	31
GM11000810	Fletcher-Style Applicator Set – Defined Geometry	33
GM11006200	Titanium Fletcher-Style Applicator Set – Defined Geometry	37
	Interstitial Components for Titanium Fletcher-Style Applicator	41
AL13030001	Titanium Fletcher-Style Applicator Set - Flexible Geometry	43
	Interstitial Components for Titanium FSD-Style Applicator Set - Flexible Geometry	45
	Intracavitary / Interstitial System	47
GM11006940	Manchester-Style Applicator Set – Flexible Geometry	49
GM11010190	3D Interstitial Ring Applicator, 60° Set	53
GM11010290	3D Interstitial Ring Applicator, 90° Set	57
GM11010490	Ring Applicator, 45° Set	61
GM11011040	Ring Applicator, 60° Set	63
GM11011210	Ring Applicator, 90° Set	65
GM11013800	Aarhus Applicator Set	67
	Smit Cervical Sleeves	71
	Cervical Sleeves	73
	Cervical Sleeves (PEEK Tandems)	75

Some products not available in all markets. Please contact your local representative for specific product registration status in your country.





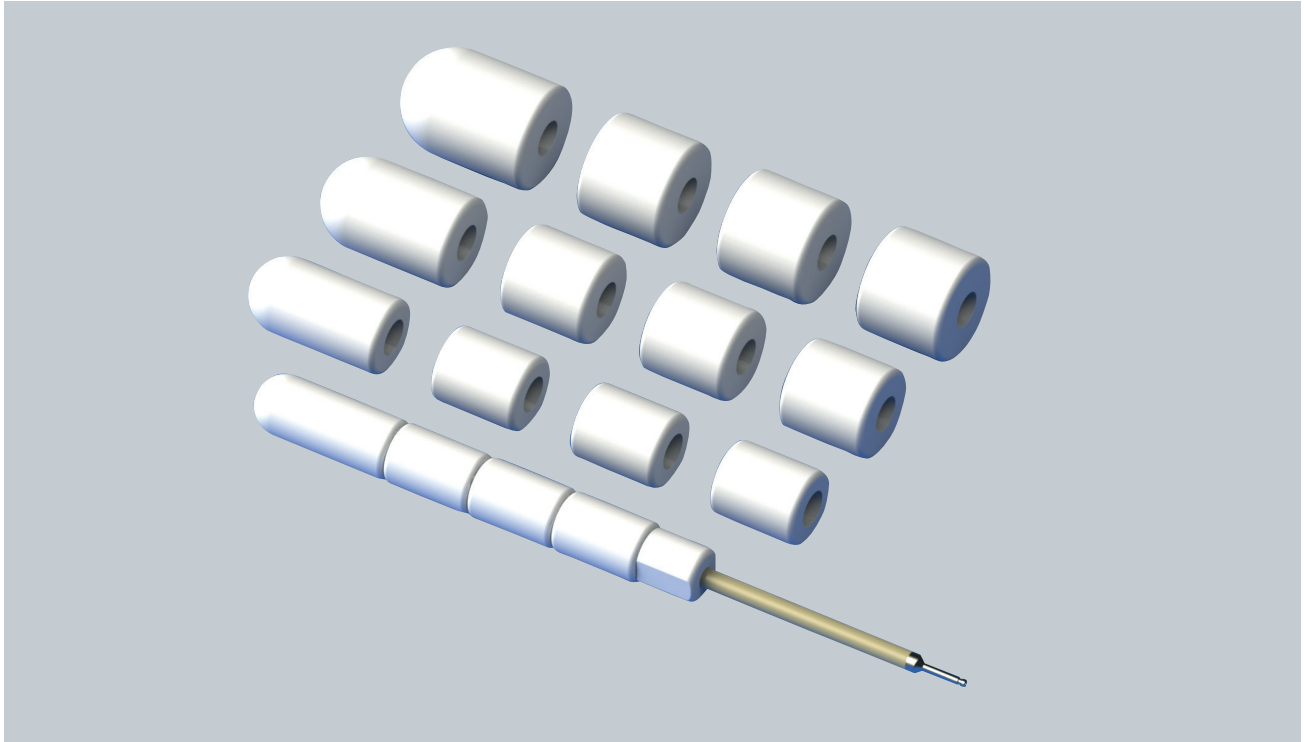
# Universal Segmented Cylinder Applicator Set

## GM11011100

CT Compatible / MR Conditional: 1.5 and 3.0 Tesla

**Intended for:** HDR or PDR intracavitary brachytherapy of the vagina, vaginal stump, and rectum

**Afterloader:** BRAVOS™ / GammaMedplus™ Series / VariSource™ Series



The Universal Segmented Cylinder Applicator Set is used for cancer treatment of the vagina, vaginal stump, and rectum. The cylinders are based on a universal design which allows for common core components across multiple applicator sets. The rigid guide tube allows for a distal first dwell position to enable a high dose delivery to the vaginal stump. A variety of cylinder diameters are available, and the applicator can be constructed to a custom length to provide the optimal patient fit and comfort. The 25 mm diameter can be used as a vaginal obturator with the Kelowna GYN Templates. A shorter 200 mm rigid guide tube is available as an optional component to provide for a shorter section of applicator

protruding from the patient (beneficial for PDR treatments). Use of the shorter 200 mm rigid guide tube requires the appropriate source guide tube.

- Suitable for treatment of the vagina, vaginal stump, and rectum
- CT Compatible / MR Conditional: 1.5 and 3.0 Tesla
- Multiple cylinder diameters and lengths possible
- Distal first source position allows for a high dose delivery to the vaginal stump
- Optional 200 mm length rigid guide tube
- Steam sterilizable

Qty.*	Product #	Components of the Applicator Set
1	GM11011180	Rigid guide tube, 250 mm length
1	GM11011090	Front end segment, 20 mm diameter, 50 mm length
1	GM11011080	Front end segment, 25 mm diameter, 52.5 mm length
1	GM11011070	Front end segment, 30 mm diameter, 55 mm length
1	GM11011060	Front end segment, 35 mm diameter, 57.5 mm length
3	GM11005070	Cylinder segment, 20 mm diameter, 30 mm length
3	GM11005100	Cylinder segment, 25 mm diameter, 30 mm length
3	GM11005130	Cylinder segment, 30 mm diameter, 30 mm length
3	GM11005160	Cylinder segment, 35 mm diameter, 30 mm length
1	GM11005180	Clamping segment
4	GM11010770	Cleaning caps, dark blue (pack of 25)
<b>Required and Recommended Accessories, BRAVOS (if not already purchased)</b>		
**	GM11010860	Transfer Guide Tube for 250 mm applicators
**	GM11010870	Transfer Guide Tube, 1000 mm length for applicators (for non-standard treatment length)
**	GM11010800++	Transfer Guide Tube for 320 mm applicators
1	GM11011800	Length assessment device
1	GM11009600	X-ray marker BV, up to 320 mm applicators, uncoded
1	GM11003810	Leak stop buttons, non-sterile, pack of 50
<b>Required and Recommended Accessories, GammaMed<sup>plus</sup> Series (if not already purchased)</b>		
**	GM11008960	Source guide tube with locking mechanism for 250 mm needles
**	GM11000340++	Source guide tube with locking mechanism for 320 mm applicators, GammaMed <sup>plus</sup>
1	GM11003810	Leak stop buttons, non-sterile, pack of 50
1	GM11000330	Length gauge, GammaMed <sup>plus</sup>
1	GM11009600	X-ray marker BV, up to 320 mm applicators, uncoded
<b>Required and Recommended Accessories, VariSource Series (if not already purchased)</b>		
Refer to the Instruction For Use (IFU) for GM11011100		
<b>Optional Components and Accessories</b>		
1	GM11011110	Rigid guide tube 200 mm length
1	GM11000320	Source guide tube with locking mechanism for 200 mm needles
1	GM11011050	Front end segment, 40 mm diameter, 60 mm length
3	GM11011170	Cylinder segment, 40 mm diameter, 30 mm length
1	GM11001960	Flexible fixation device for gynecological applicators
1	GM11008700	Universal applicator clamping device
1	GM11001390	Source guide tube support (Bravos and GammaMed <sup>plus</sup> units only)
1	GM11011700	Universal Cervix Probe Set, even length
1	GM11011500	Universal Cervix Probe Set, odd length
1	GM11013100	Universal Titanium Cervix Probe Set, even length
1	GM11013200	Universal Titanium Cervix Probe Set, odd length
1	GM11010340	Universal Sterilization Box
1	GM11012200+	Kelowna GYN Template for 2.0 mm needles, including locking collet (pack of 25) and needle collet wrench
1	GM11012210+	Kelowna GYN Template for 16 gauge (1.65 mm) needles, including locking collet (pack of 25) and needle collet wrench
1	GM11012220+	Kelowna GYN Template for 17 gauge (1.47 mm) needles, including locking collet (pack of 25) and needle collet wrench

\*Quantity included with the kit. Quantity associated with each part number is one (1) unless otherwise indicated in the product description.

\*\*Choose desired quantity - one per channel.

+Compatible with the Ø 25 mm only.

++If used with a Universal Intrauterine Probe.

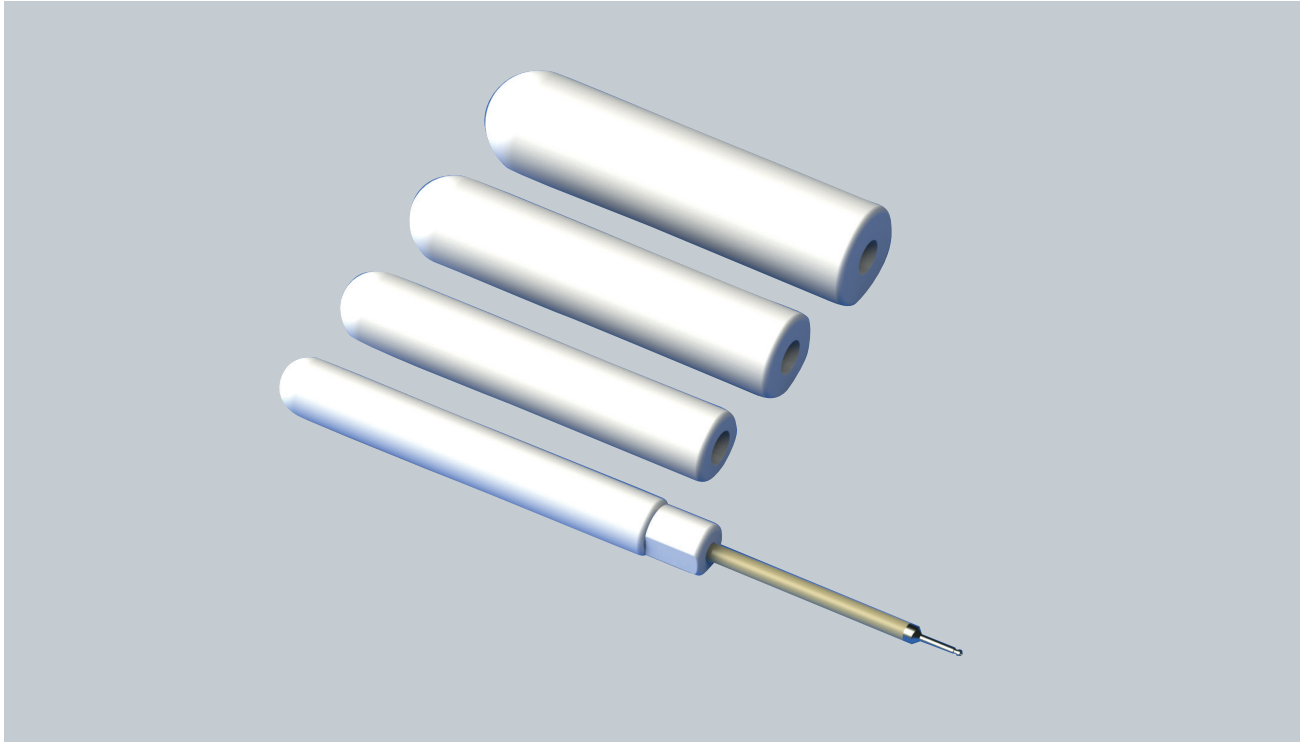
# Universal Stump Applicator Set

## GM1101160

CT Compatible / MR Conditional: 1.5 and 3.0 Tesla

**Intended for:** HDR or PDR intracavitary brachytherapy of the vagina, vaginal stump, and rectum

**Afterloader:** BRAVOS™ / GammaMedplus™ Series / VariSource™ Series



The Universal Stump Applicator Set is used for cancer treatment of the vagina, vaginal stump, and rectum. The cylinders are based on a universal design which allows for common core components across multiple applicator sets. The rigid guide tube allows for a distal first dwell position to enable a high dose delivery to the vaginal stump. A variety of cylinder diameters are available to provide the optimal patient fit. The 25 mm diameter can be used as a vaginal obturator with the Kelowna GYN Templates. A shorter 200 mm rigid guide tube is available as an optional component to provide for a shorter section of applicator protruding from the patient (beneficial for PDR treatments). Use of the shorter 200 mm rigid guide tube requires the appropriate source guide tube.

- Suitable for treatment of the vagina, vaginal stump, and rectum
- CT Compatible / MR Conditional: 1.5 and 3.0 Tesla
- Minimal assembly required
- Multiple cylinder diameters
- Distal first source position allows for a high dose delivery to the vaginal stump
- Optional 200 mm length rigid guide tube
- Steam sterilizable

Qty.*	Product #	Components of the Applicator Set
1	GM11011180	Rigid guide tube, 250 mm length
1	GM11011120	Cylinder, 20 mm diameter, 140 mm length
1	GM11011130	Cylinder, 25 mm diameter, 140 mm length
1	GM11011140	Cylinder, 30 mm diameter, 140 mm length
1	GM11011150	Cylinder, 35 mm diameter, 140 mm length
1	GM11005180	Clamping segment
4	GM11010770	Cleaning caps, dark blue (pack of 25)
<b>Required and Recommended Accessories, BRAVOS (if not already purchased)</b>		
**	GM11010870	Transfer Guide Tube for 250 mm applicators
**	GM11010870	Transfer Guide Tube, 1000 mm length for applicators (for non-standard treatment length)
**	GM11010800++	Transfer Guide Tube for 320 mm applicators
1	GM11011800	Length assessment device
1	GM11009600	X-ray marker BV, up to 320 mm applicators, uncoded
1	GM11003810	Leak stop buttons, non-sterile, pack of 50
<b>Required and Recommended Accessories, GammaMed<math>plus</math> Series (if not already purchased)</b>		
**	GM11008960	Source guide tube with locking mechanism for 250 mm needles
**	GM11000340++	Source guide tube with locking mechanism for 320 mm applicators, GammaMed $plus$
1	GM11003810	Leak stop buttons, non-sterile, pack of 50
1	GM11000330	Length gauge, GammaMed $plus$
1	GM11009600	X-ray marker BV, up to 320 mm applicators, uncoded
<b>Required and Recommended Accessories, VariSource Series (if not already purchased)</b>		
Refer to the Instruction For Use (IFU) for GM1101160		
<b>Optional Components and Accessories</b>		
1	GM11011110	Rigid guide tube 200 mm length
1	GM11000320	Source guide tube with locking mechanism for 200 mm needles
1	GM11001960	Flexible fixation device for gynecological applicators
1	GM11008700	Universal applicator clamping device
1	GM11001390	Source guide tube support (Bravos and GammaMed $plus$ units only)
1	GM11003220	Cleaning caps, black (pack of 20)
1	GM11003330	Cleaning caps, grey (pack of 20)
1	GM11011700	Universal Cervix Probe Set, even length
1	GM11011500	Universal Cervix Probe Set, odd length
1	GM11013100	Universal Titanium Cervix Probe Set, even length
1	GM11013200	Universal Titanium Cervix Probe Set, odd length
1	GM11010340	Universal Sterilization Box
1	GM11012200+	Kelowna GYN Template for 2.0 mm needles, including locking collet (pack of 25) and needle collet wrench
1	GM11012210+	Kelowna GYN Template for 16 gauge (1.65 mm) needles, including locking collet (pack of 25) and needle collet wrench
1	GM11012220+	Kelowna GYN Template for 17 gauge (1.47 mm) needles, including locking collet (pack of 25) and needle collet wrench

\*Quantity included with the kit. Quantity associated with each part number is one (1) unless otherwise indicated in the product description.

\*\*Choose desired quantity - one per channel.

+Compatible with the  $\varnothing$  25 mm only.

++If used with a Universal Intrauterine Probe.

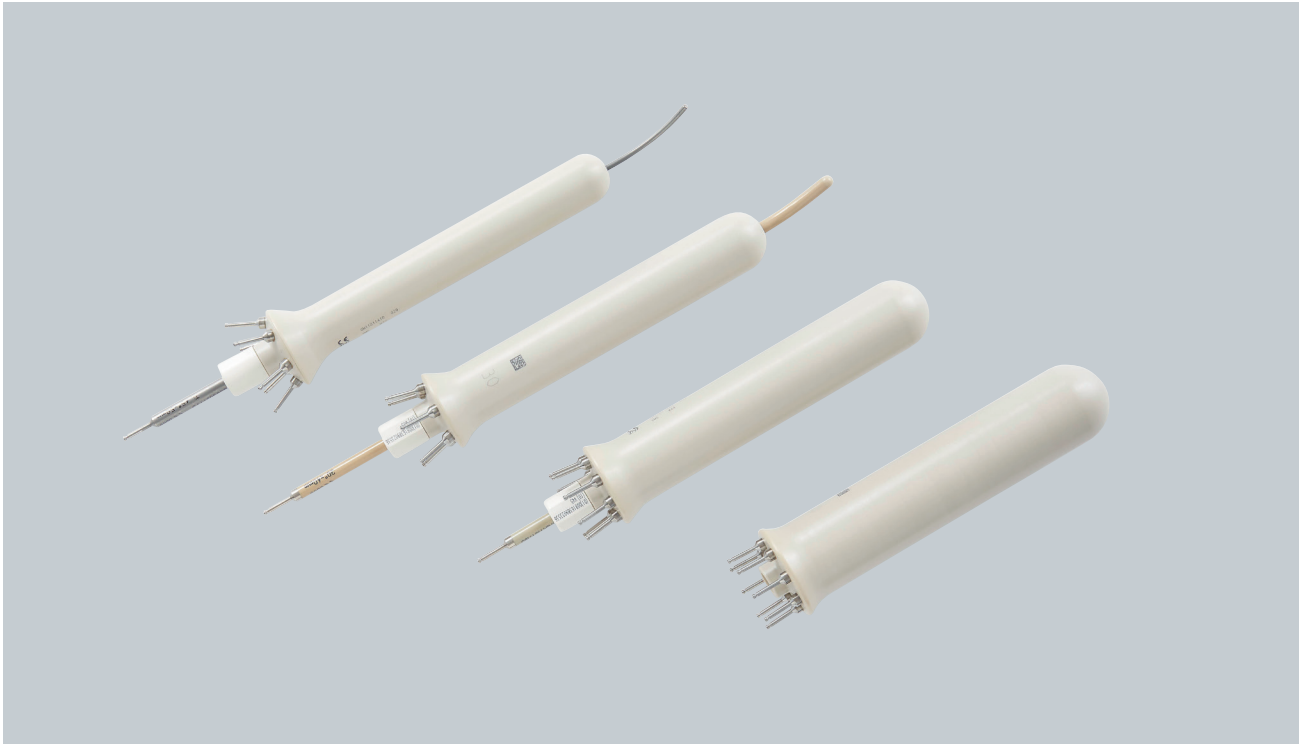
# Universal Multi-channel Cylinder Set

## GM11011400

CT Compatible / MR Conditional: 1.5 and 3.0 Tesla

**Intended for:** HDR or PDR intracavitary brachytherapy of the vagina, vaginal stump, cervix, uterus, endometrium, and rectum

**Afterloader:** BRAVOS™ / GammaMedplus™ Series / VariSource™ Series



The Universal Multi-channel Cylinder Set is a set of vaginal/rectal cylinders with multiple peripheral channels. The peripheral channels allow for dose to be shaped asymmetrically to cover target volumes while reducing dose organs at risk. The distal ends of the peripheral channels curve in toward the cylinder centerline, allowing for a reduction in source anisotropy off the apex of the cylinder. The cylinder set works with the other Universal Cylinder Applicator Family components, such as the Universal Cervix Probes and the Universal Titanium Cervix Probes to allow the inclusion of an intrauterine component. The 25 mm cylinder can be combined with Kelowna template for parametrial coverage.

- Suitable for treatment of the vagina, vaginal stump, cervix, uterus, endometrium, and rectum
- CT Compatible / MR Conditional: 1.5 and 3.0 Tesla
- Multiple cylinder diameters: 25 mm, 30mm, 35 mm, and 40 mm
- 25 mm and 30 mm cylinders include six peripheral channels
- 35 mm and 40 mm cylinders include eight peripheral channels
- Steam sterilizable

Qty.*	Product #	Components of the Applicator Set
1	GM11011410	Universal Multi-channel Cylinder, Ø 25 mm
1	GM11011420	Universal Multi-channel Cylinder, Ø 30 mm
1	GM11011430	Universal Multi-channel Cylinder, Ø 35 mm
1	GM11011440	Universal Multi-channel Cylinder, Ø 40 mm
1	GM11011180	Rigid guide tube, 250 mm length
1	GM11005180	Clamping segment
4	GM11010770	Cleaning caps, dark blue (pack of 25)
<b>Required and Recommended Accessories, BRAVOS (if not already purchased)</b>		
**	GM11010850	Transfer guide tube for 200 mm applicators (for peripheral channels)
**	GM11010860	Transfer guide tube for 250 mm applicators
**	GM11010800++	Transfer guide tube for 320 mm applicators
**	GM11010870	Transfer guide tube, 1000 mm length for applicators (for non-standard treatment length)
1	GM11011800	Length assessment device
**	GM11009600	X-ray marker BV, up to 320 mm applicators, uncoded
1	GM11003810	Leak stop buttons, non-sterile, pack of 50
<b>Required and Recommended Accessories, GammaMed<sup>plus</sup> Series (if not already purchased)</b>		
**	GM11000320	Source guide tube with locking mechanism for 200 mm needles (for peripheral channels)
**	GM11008960	Source guide tube with locking mechanism for 250 mm needles)
**	GM11000340++	Source guide tube with locking mechanism for 320 mm applicators, GammaMed <sup>plus</sup>
1	GM11000330	Length gauge, GammaMed <sup>plus</sup>
**	GM11009600	X-ray marker BV, up to 320 mm applicators, uncoded
1	GM11003810	Leak stop buttons, non-sterile, pack of 50
<b>Required and Recommended Accessories, VariSource Series (if not already purchased)</b>		
Refer to the Instruction For Use (IFU) for GM11011400		
<b>Optional Components and Accessories</b>		
1	GM11011500	Universal Cervix Probe Set, odd lengths
1	GM11011700	Universal Cervix Probe Set, even lengths
1	GM11013100	Universal Titanium Cervix Probe Set, even lengths
1	GM11013200	Universal Titanium Cervix Probe Set, odd lengths
1	GM11008700	Universal applicator clamping device
1	GM11009620	X-ray marker, BV, up to 320 mm applicator, coded 1-6
1	GM11010340	Universal Sterilization Box
1	GM11001960	Flexible fixation device for gynecological applicators
1	GM11001390	Source guide tube support (Bravos and GammaMed <sup>plus</sup> units only)
1	GM11012200+	Kelowna GYN Template for 2.0 mm needles, including locking collet (pack of 25) and needle collet wrench
1	GM11012210+	Kelowna GYN Template for 16 gauge (1.65 mm) needles, including locking collet (pack of 25) and needle collet wrench
1	GM11012220+	Kelowna GYN Template for 17 gauge (1.47 mm) needles, including locking collet (pack of 25) and needle collet wrench
1	GM11003220	Cleaning Caps, black (pack of 20)
1	GM11003330	Cleaning Caps, grey (pack of 20)

\*Quantity included with the kit. Quantity associated with each part number is one (1) unless otherwise indicated in the product description.

\*\*Choose desired quantity - one per channel.

+Compatible with the Ø 25 mm only.

++If used with a Universal Intrauterine Probe.

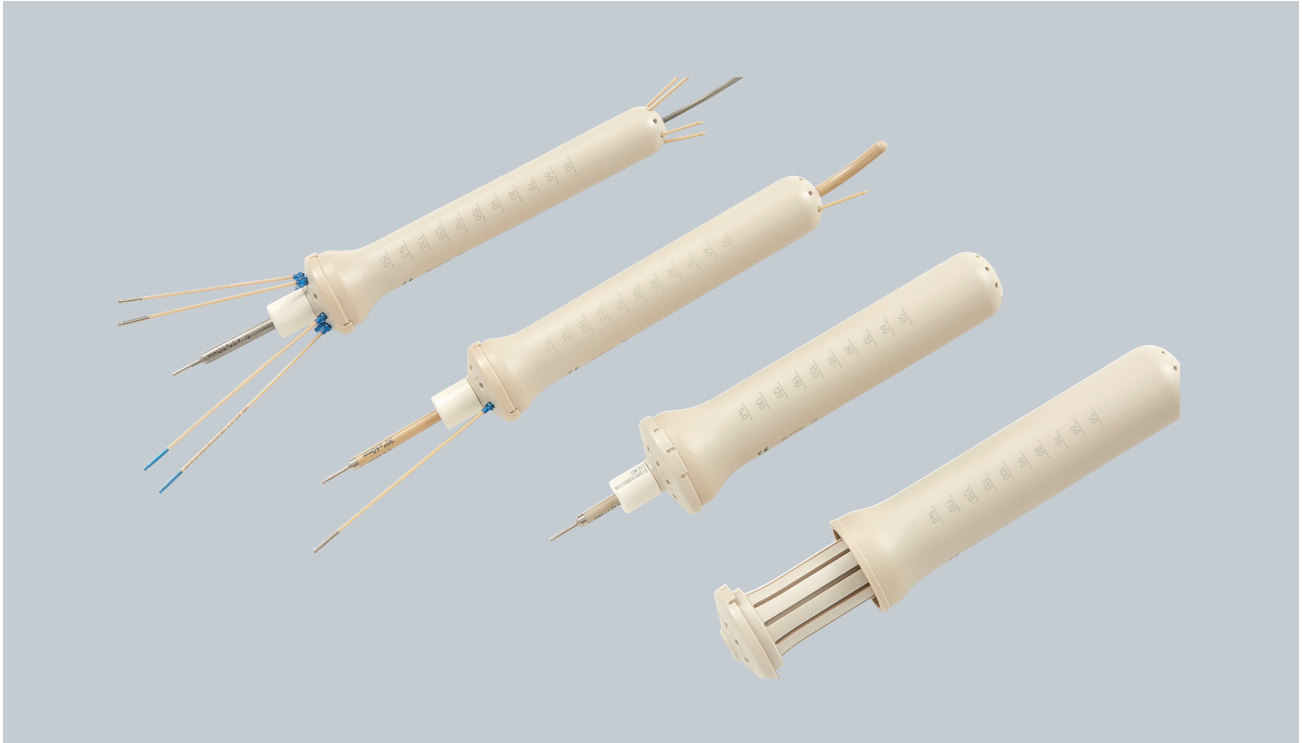
# Universal Interstitial Cylinder Set

## GM11013300

CT Compatible / MR Conditional: 1.5 and 3.0 Tesla

**Intended for:** HDR or PDR intracavitary brachytherapy of the vagina, vaginal stump, cervix, uterus, and endometrium

**Afterloader:** BRAVOS™ / GammaMedplus™ Series / VariSource™ Series



The Universal Interstitial Cylinder Set is a set of vaginal cylinders with multiple peripheral needle-guiding holes. The needle-guiding holes allow for 2 mm plastic needles to be inserted beyond the distal end of the cylinder. The needles exit the cylinder at slightly oblique angles. The cylinder set works with the other Universal Cylinder Applicator Family components, such as the Universal Cervix Probes and the Universal Titanium Cervix Probes, to allow the inclusion of an intrauterine component. The 25 mm cylinder can be used with the Kelowna GYN Templates.

- Suitable for treatment of the vagina, vaginal stump, cervix, uterus, and endometrium
- CT Compatible / MR Conditional: 1.5 and 3.0 Tesla
- Multiple cylinder diameters: 25 mm, 30mm, 35 mm, and 40 mm
- 25 mm and 30 mm cylinders include eight peripheral needle-guiding holes
- 35 mm and 40 mm cylinders include ten peripheral needle-guiding holes
- Steam sterilizable

Qty.*	Product #	Components of the Applicator Set
1	GM11013310	Universal Interstitial Cylinder, ø 25 mm
1	GM11013320	Universal Interstitial Cylinder, ø 30 mm
1	GM11013330	Universal Interstitial Cylinder, ø 35 mm
1	GM11013340	Universal Interstitial Cylinder, ø 40 mm
1	GM11011180	Rigid guide tube, 250 mm length
1	GM11005180	Clamping segment
1	GM11012270	Blue locking collets for 2.0 mm needles (pack of 25)
1	GM11012280	Needle collet wrench (set component)
4	GM11010770	Cleaning caps, dark blue (pack of 25)

#### Required and Recommended Accessories, BRAVOS (if not already purchased)

1	GM11003810	Leak stop buttons, non-sterile, pack of 50
**	GM11010860	Transfer guide tube for 250 mm applicators
**	GM11010800++	Transfer guide tube for 320 mm applicators
**	GM11010870	Transfer guide tube, 1000 mm length for applicators (for non-standard treatment length)
1	GM11011800	Length assessment device
**	GM11007580	Plastic needle with mandrin, ø 2.0 mm, length 320 mm
**	GM11010750	Plastic needle with mandrin, ø 2.0 mm, length 320 mm, blunt tip
**	GM11009600	X-ray marker BV, up to 320 mm applicators, uncoded

#### Required and Recommended Accessories, GammaMed*plus* Series (if not already purchased)

**	GM11008960	Source guide tubes with locking mechanism for 250 mm needles
**	GM11000340++	Source guide tube with locking mechanism for 320 mm applicator, GammaMed <i>plus</i>
**	GM11010760	Source guide tube light with locking mechanism for 320 mm needles, GammaMed <i>plus</i>
**	GM11007580	Plastic needle with mandrin, ø 2.0 mm, length 320 mm
**	GM11010750	Plastic needle with mandrin, ø 2.0 mm, length 320 mm, blunt tip
**	GM11009600	X-ray marker BV, up to 320 mm applicators, uncoded
1	GM11003810	Leak stop buttons, non-sterile, pack of 50
1	GM11000330	Length gauge, GammaMed <i>plus</i>

#### Required and Recommended Accessories, VariSource Series (if not already purchased)

Refer to the Instruction For Use (IFU) for GM11013300



Optional Components and Accessories		
1	GM11011500	Universal Cervix Probe Set, odd lengths
1	GM11011700	Universal Cervix Probe Set, even lengths
1	GM11013100	Universal Titanium Cervix Probe Set, even lengths
1	GM11013200	Universal Titanium Cervix Probe Set, odd lengths
1	GM11012200+	Kelowna GYN Template for 2.0 mm needles, including locking collets (pack of 25) and needle collet wrench
1	GM11012210+	Kelowna GYN Template for 16 gauge (1.65 mm) needles, including locking collet (pack of 25) and needle collet wrench
1	GM11012220+	Kelowna GYN Template for 17 gauge (1.47 mm) needles, including locking collet (pack of 25) and needle collet wrench
1	GM11001390	Source guide tube support (Bravos and GammaMed <i>plus</i> units only)
1	GM11001960	Flexible fixation device
1	GM11008700	Universal applicator clamping device
1	GM11010340	Universal sterilization box
1	GM11012300	Small Component Box (collet sterilization)
1	GM11012340	Needle Box (needle sterilization)
1	GM11009620	X-ray marker, BV, up to 320 mm applicator, coded 1-6
1	GM11010510	Leak stop channel marker set, 1-12
1	GM11003220	Cleaning Caps, black (pack of 20)
1	GM11003330	Cleaning Caps, grey (pack of 20)

*\*Quantity included with the kit. Quantity associated with each part number is one (1) unless otherwise indicated in the product description.*

*\*\*Choose desired quantity - one per channel.*

*+Compatible with the Ø 25 mm only.*

*++If used with a Universal Intrauterine Probe and/or needles.*



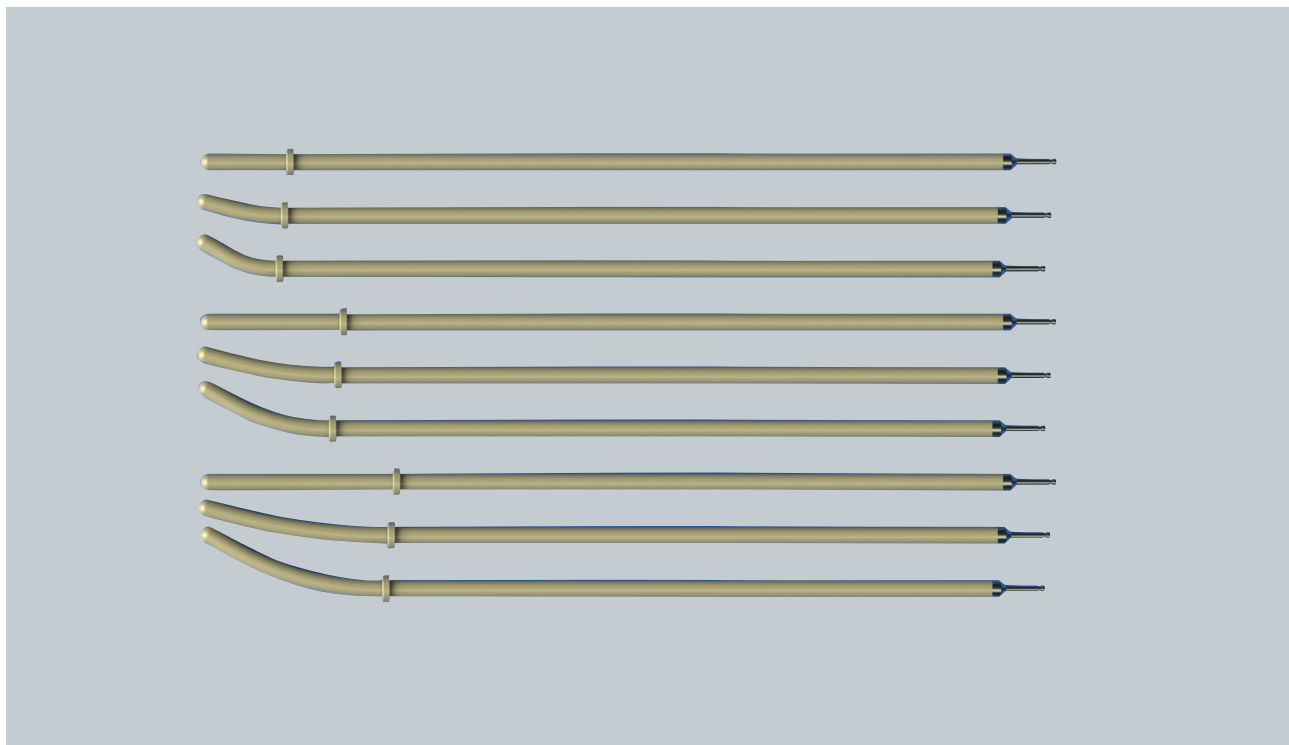
# Universal Cervix Probe Set, odd length

## GM11011500

CT Compatible / MR Conditional: 1.5 and 3.0 Tesla

**Intended for:** HDR or PDR intracavitary brachytherapy of the vagina, vaginal stump, cervix, uterus, and endometrium

**Afterloader:** BRAVOS™ / GammaMed*plus*™ Series / VariSource™ Series



The Universal Cervix Probe Set works with the Universal Cylinder Sets to add an intrauterine tandem to allow treatment of the cervix, uterus, and endometrium. The odd length cervix probe set contains intrauterine tandems in lengths of 30 mm, 50 mm, and 70 mm. Each of these lengths is supplied in three angles: straight, 15°, and 30°.

- Suitable for treatment of the vagina, vaginal stump, cervix, uterus, and endometrium
- CT Compatible / MR Conditional: 1.5 and 3.0 Tesla
- Multiple lengths and angles supplied
- Steam sterilizable
- Optional cervical stop available

Qty.*	Product #	Components of the Applicator Set
1	GM11011510	Applicator probe, Ø 6.3 mm x 320 mm, straight, 30 mm
1	GM11011520	Applicator probe, Ø 6.3 mm x 320 mm, curved 15°, 30 mm
1	GM11011530	Applicator probe, Ø 6.3 mm x 320 mm, curved 30°, 30 mm
1	GM11011570	Applicator probe, Ø 6.3 mm x 320 mm, straight, 50 mm
1	GM11011580	Applicator probe, Ø 6.3 mm x 320 mm, curved 15°, 50 mm
1	GM11011590	Applicator probe, Ø 6.3 mm x 320 mm, curved 30°, 50 mm
1	GM11011630	Applicator probe, Ø 6.3 mm x 320 mm, straight, 70 mm
1	GM11011640	Applicator probe, Ø 6.3 mm x 320 mm, curved 15°, 70 mm
1	GM11011650	Applicator probe, Ø 6.3 mm x 320 mm, curved 30°, 70 mm
4	GM11010770	Cleaning caps, dark blue (pack of 25)
<b>Required and Recommended Accessories, BRAVOS (if not already purchased)</b>		
**	GM11010800	Transfer guide tube for 320 mm applicators
**	GM11010870	Transfer guide tube, 1000 length for applicators (for non-standard treatment length)
1	GM11011800	Length assessment device
**	GM11009600	X-ray marker BV, up to 320 mm applicators, uncoded
1	GM11003810	Leak stop buttons, non-sterile, pack of 50
+	GM11011100	Universal Segmented Cylinder Applicator Set
+	GM11011160	Universal Stump Applicator Set
+	GM11011400	Universal Multi-channel Cylinder Set
+	GM11013300	Universal Interstitial Cylinder Set
<b>Required and Recommended Accessories, GammaMedplus Series (if not already purchased)</b>		
**	GM11000340	Source guide tube with locking mechanism for 320 mm applicators, GammaMedplus
**	GM11009600	X-ray marker BV, up to 320 mm applicators, uncoded
+	GM11011100	Universal Segmented Cylinder Applicator Set
+	GM11011160	Universal Stump Applicator Set
+	GM11011400	Universal Multi-channel Cylinder Set
+	GM11013300	Universal Interstitial Cylinder Set
1	GM11003810	Leak stop buttons, non-sterile, pack of 50
1	GM11000330	Length gauge, GammaMedplus
<b>Required and Recommended Accessories, VariSource Series (if not already purchased)</b>		
Refer to the Instruction For Use (IFU) for GM11011500		
<b>Optional Components and Accessories</b>		
1	GM11011710	Cervical Stop
1	GM11010340	Universal sterilization box
1	GM11003220	Cleaning Caps, black (pack of 20)
1	GM11003330	Cleaning Caps, grey (pack of 20)

\*Quantity included with the kit. Quantity associated with each part number is one (1) unless otherwise indicated in the product description.

\*\*Choose desired quantity - one per channel.

+Either set needed.

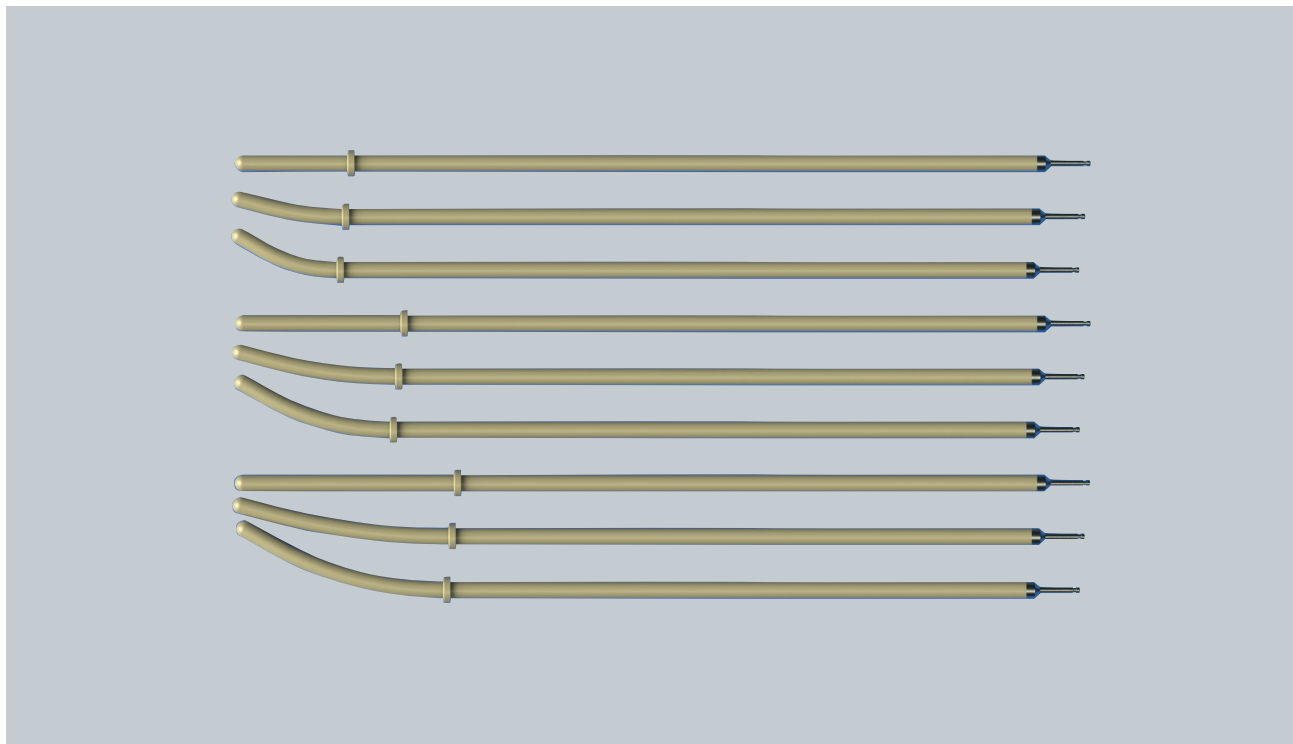
# Universal Cervix Probe Set, even length

## GM11011700

CT Compatible / MR Conditional: 1.5 and 3.0 Tesla

**Intended for:** HDR or PDR intracavitary brachytherapy of the vagina, vaginal stump, cervix, uterus, and endometrium

**Afterloader:** BRAVOS™ / GammaMed*plus*™ Series / VariSource™ Series



The Universal Cervix Probe Set works with the Universal Cylinder Sets to add an intrauterine tandem to allow treatment of the cervix, uterus, and endometrium. The even length cervix probe set contains intrauterine tandems in lengths of 40 mm, 60 mm, and 80 mm. Each of these lengths is supplied in three angles: straight, 15°, and 30°.

- Suitable for treatment of the vagina, vaginal stump, cervix, uterus, and endometrium
- CT Compatible / MR Conditional: 1.5 and 3.0 Tesla
- Multiple lengths and angles supplied
- Steam sterilizable
- Optional cervical stop available

Qty.*	Product #	Components of the Applicator Set
1	GM11011540	Applicator probe, Ø 6.3 mm x 320 mm, straight, 40 mm
1	GM11011550	Applicator probe, Ø 6.3 mm x 320 mm, curved 15°, 40 mm
1	GM11011560	Applicator probe, Ø 6.3 mm x 320 mm, curved 30°, 40 mm
1	GM11011600	Applicator probe, Ø 6.3 mm x 320 mm, straight, 60 mm
1	GM11011610	Applicator probe, Ø 6.3 mm x 320 mm, curved 15°, 60 mm
1	GM11011620	Applicator probe, Ø 6.3 mm x 320 mm, curved 30°, 60 mm
1	GM11011660	Applicator probe, Ø 6.3 mm x 320 mm, straight, 80 mm
1	GM11011670	Applicator probe, Ø 6.3 mm x 320 mm, curved 15°, 80 mm
1	GM11011680	Applicator probe, Ø 6.3 mm x 320 mm, curved 30°, 80 mm
4	GM11010770	Cleaning caps, dark blue (pack of 25)
<b>Required and Recommended Accessories, BRAVOS (if not already purchased)</b>		
**	GM11010800	Transfer guide tube for 320 mm applicators
**	GM11010870	Transfer guide tube, 1000 length for applicators (for non-standard treatment length)
1	GM11011800	Length assessment device
**	GM11009600	X-ray marker BV, up to 320 mm applicators, uncoded
1	GM11003810	Leak stop buttons, non-sterile, pack of 50
+	GM11011100	Universal Segmented Cylinder Applicator Set
+	GM11011160	Universal Stump Applicator Set
+	GM11011400	Universal Multi-channel Cylinder Set
+	GM11013300	Universal Interstitial Cylinder Set
<b>Required and Recommended Accessories, GammaMed<math>plus</math> Series (if not already purchased)</b>		
**	GM11000340	Source guide tube with locking mechanism for 320 mm applicators, GammaMed $plus$
**	GM11009600	X-ray marker BV, up to 320 mm applicators, uncoded
+	GM11011100	Universal Segmented Cylinder Applicator Set
+	GM11011160	Universal Stump Applicator Set
+	GM11011400	Universal Multi-channel Cylinder Set
+	GM11013300	Universal Interstitial Cylinder Set
1	GM11003810	Leak stop buttons, non-sterile, pack of 50
1	GM11000330	Length gauge, GammaMed $plus$
<b>Required and Recommended Accessories, VariSource Series (if not already purchased)</b>		
Refer to the Instruction For Use (IFU) for GM11011700		
<b>Optional Components and Accessories</b>		
1	GM11011710	Cervical Stop
1	GM11010340	Universal sterilization box
1	GM11003220	Cleaning Caps, black (pack of 20)
1	GM11003330	Cleaning Caps, grey (pack of 20)

\*Quantity included with the kit. Quantity associated with each part number is one (1) unless otherwise indicated in the product description.

\*\*Choose desired quantity - one per channel.

+Either set needed.

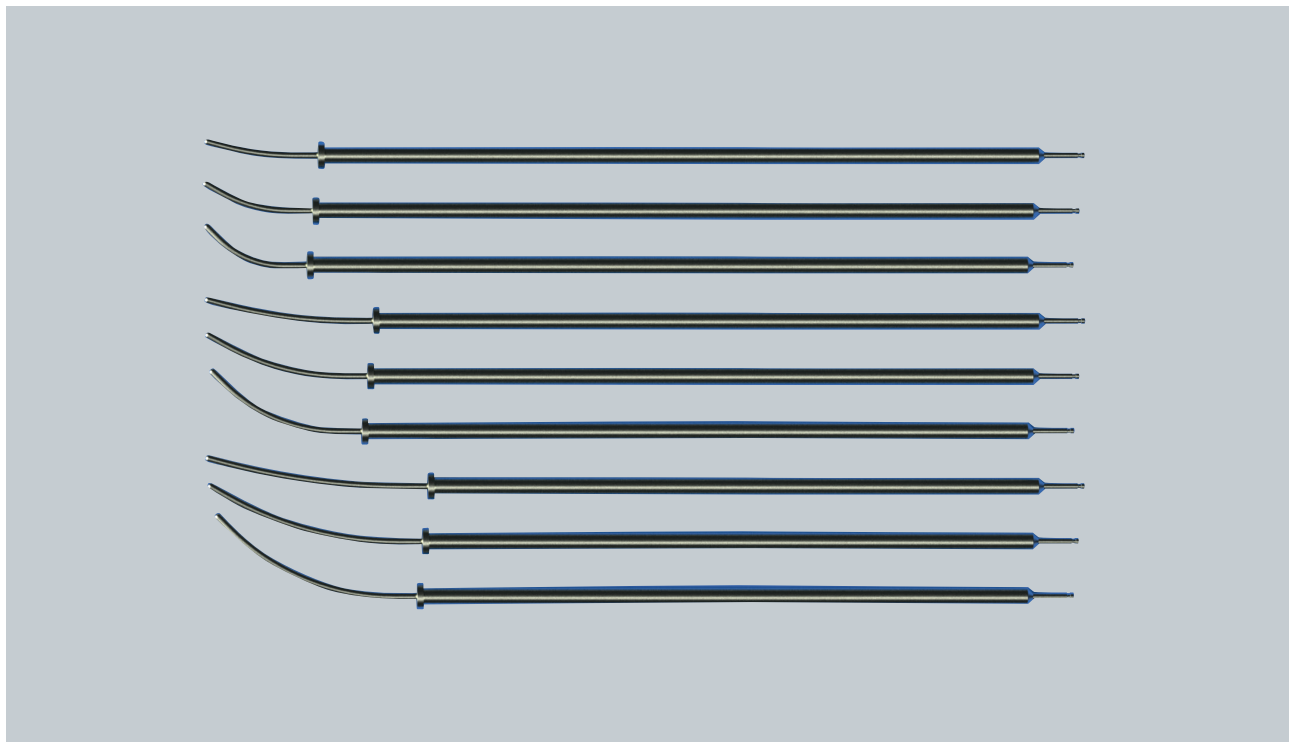
# Universal Titanium Cervix Probe Set, even lengths

## GM11013100

CT Compatible

**Intended for:** HDR or PDR intracavitary brachytherapy of the vagina, vaginal stump, cervix, uterus, and endometrium

**Afterloader:** BRAVOS™ / GammaMedplus™ Series / VariSource™ Series



The Universal Titanium Cervix Probe Set works with the Universal Cylinder Sets to add an intrauterine tandem to allow treatment of the cervix, uterus, and endometrium. The even length cervix probe set contains intrauterine tandems in lengths of 40 mm, 60 mm, and 80 mm. Each of these lengths is supplied in three angles: 15°, 30°, and 45°.

- Suitable for treatment of the vagina, vaginal stump, cervix, uterus, and endometrium
- CT Compatible
- Multiple lengths and angles supplied
- 3 mm intrauterine diameter reduces need to dilate cervix for insertion
- Steam sterilizable

Qty.*	Product #	Components of the Applicator Set
1	GM11013110	Titanium applicator probe, Ø 3 mm x 320 mm, curved 15°, 40 mm
1	GM11013120	Titanium applicator probe, Ø 3 mm x 320 mm, curved 30°, 40 mm
1	GM11013130	Titanium applicator probe, Ø 3 mm x 320 mm, curved 45°, 40 mm
1	GM11013140	Titanium applicator probe, Ø 3 mm x 320 mm, curved 15°, 60 mm
1	GM11013150	Titanium applicator probe, Ø 3 mm x 320 mm, curved 30°, 60 mm
1	GM11013160	Titanium applicator probe, Ø 3 mm x 320 mm, curved 45°, 60 mm
1	GM11013170	Titanium applicator probe, Ø 3 mm x 320 mm, curved 15°, 80 mm
1	GM11013180	Titanium applicator probe, Ø 3 mm x 320 mm, curved 30°, 80 mm
1	GM11013190	Titanium applicator probe, Ø 3 mm x 320 mm, curved 45°, 80 mm
4	GM11010770	Cleaning caps, dark blue (pack of 25)
<b>Required Accessories, BRAVOS</b>		
**	GM11010800	Transfer guide tube for 320 mm applicators
**	GM11010870	Transfer guide tube, 1000 length for applicators
1	GM11011800	Length assessment device
1	GM11009600	X-ray marker BV, up to 320 mm applicators, uncoded
**	GM11003810	Leak stop button (pack of 50), non-sterile
**	GM11011100	Universal Segmented Cylinder Applicator Set
+	GM11011160	Universal Stump Applicator Set
+	GM11011400	Universal Multi-channel Cylinder Set
+	GM11013300	Universal Interstitial Cylinder Set
<b>Required Accessories, GammaMed<sup>plus</sup> Series</b>		
**	GM11000340	Source guide tube with locking mechanism for 320 mm applicators
**	GM11009600	X-ray marker BV, up to 320 mm applicators, uncoded
+	GM11011100	Universal Segmented Cylinder Applicator Set
+	GM11011160	Universal Stump Applicator Set
+	GM11011400	Universal Multi-channel Cylinder Set
+	GM11013300	GM11013300 Universal Interstitial Cylinder Set
1	GM11003810	Leak stop buttons, non-sterile, pack of 50
1	GM11000330	Length gauge, GammaMed <sup>plus</sup>
<b>Required Accessories, VariSource Series</b>		
Refer to the Instruction For Use (IFU) for GM11013100		
<b>Optional Components and Accessories</b>		
1	GM11000670	Cervical stop
1	GM11002370	Allen key Ø 2.5 mm, autoclavable
1	AL07344000	Titanium cervical stop
1	AL07342000	Titanium allen wrench, autoclavable
1	AL13142000	Cervical sleeve, 3 mm aperture, 20 mm length, single use
1	AL13142001	Cervical sleeve, 3 mm aperture, 40 mm length, single use
1	AL13142002	Cervical sleeve, 3 mm aperture, 60 mm length, single use
1	AL13142003	Cervical sleeve, 3 mm aperture, 80 mm length, single use

\*Quantity indicated is the quantity included with the kit. Quantity associated with each part number is one (1) unless otherwise indicated in the product description.

\*\*Choose required quantity.

+Either Set needed.



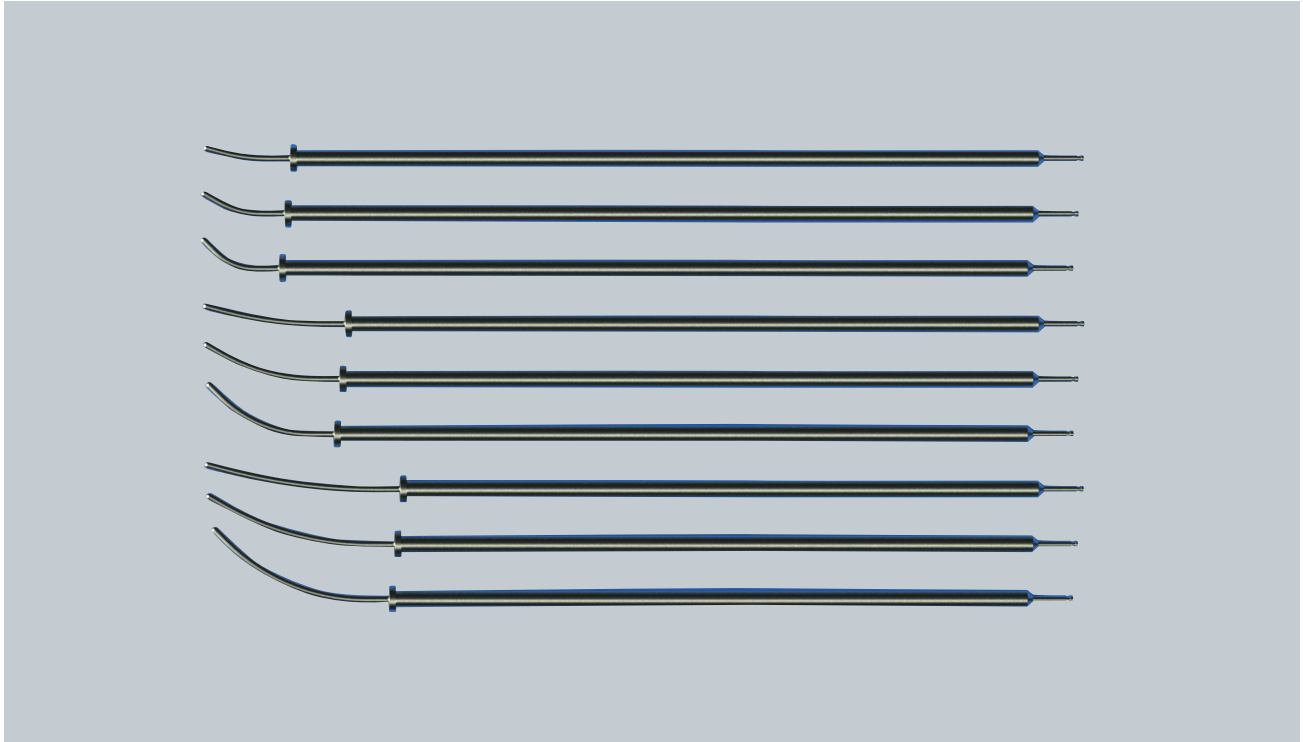
# Universal Titanium Cervix Probe Set, odd lengths

## GM11013200

CT Compatible

**Intended for:** HDR or PDR intracavitary brachytherapy of the vagina, vaginal stump, cervix, uterus, and endometrium

**Afterloader:** BRAVOS™ / GammaMedplus™ Series / VariSource™ Series



The Universal Titanium Cervix Probe Set works with the Universal Segmented Cylinder Applicator Set or the Universal Stump Applicator Set to add an intrauterine tandem to allow treatment of the cervix, uterus, and endometrium. The odd length cervix probe set contains intrauterine tandems in lengths of 30 mm, 50 mm, and 70 mm. Each of these lengths is supplied in three angles: 15°, 30°, and 45°.

- Suitable for treatment of the vagina, vaginal stump, cervix, uterus, and endometrium
- CT Compatible
- Multiple lengths and angles supplied
- 3 mm intrauterine diameter reduces need to dilate cervix for insertion
- Steam sterilizable

Qty.*	Product #	Components of the Applicator Set
1	GM11013210	Titanium applicator probe, Ø 3 mm x 320 mm, curved 15°, 30 mm
1	GM11013220	Titanium applicator probe, Ø 3 mm x 320 mm, curved 30°, 30 mm
1	GM11013230	Titanium applicator probe, Ø 3 mm x 320 mm, curved 45°, 30 mm
1	GM11013240	Titanium applicator probe, Ø 3 mm x 320 mm, curved 15°, 50 mm
1	GM11013250	Titanium applicator probe, Ø 3 mm x 320 mm, curved 30°, 50 mm
1	GM11013260	Titanium applicator probe, Ø 3 mm x 320 mm, curved 45°, 50 mm
1	GM11013270	Titanium applicator probe, Ø 3 mm x 320 mm, curved 15°, 70 mm
1	GM11013280	Titanium applicator probe, Ø 3 mm x 320 mm, curved 30°, 70 mm
1	GM11013290	Titanium applicator probe, Ø 3 mm x 320 mm, curved 45°, 70 mm
4	GM11010770	Cleaning caps, dark blue (pack of 25)
<b>Required and Recommended Accessories, BRAVOS (if not already purchased)</b>		
**	GM11010800	Transfer guide tube for 320 mm applicators
**	GM11010870	Transfer guide tube, 1000 length for applicators (for non-standard treatment length)
1	GM11011800	Length assessment device
**	GM11009600	X-ray marker BV, up to 320 mm applicators, uncoded
1	GM11003810	Leak stop buttons, non-sterile, pack of 50
+	GM11011100	Universal Segmented Cylinder Applicator Set
+	GM11011160	Universal Stump Applicator Set
+	GM11011400	Universal Multi-channel Cylinder Set
+	GM11013300	Universal Interstitial Cylinder Set
<b>Required and Recommended Accessories, GammaMed<math>plus</math> Series (if not already purchased)</b>		
**	GM11000340	Source guide tube with locking mechanism for 320 mm applicators, GammaMed $plus$
**	GM11009600	X-ray marker BV, up to 320 mm applicators, uncoded
+	GM11011100	Universal Segmented Cylinder Applicator Set
+	GM11011160	Universal Stump Applicator Set
+	GM11011400	Universal Multi-channel Cylinder Set
+	GM11013300	Universal Interstitial Cylinder Set
1	GM11003810	Leak stop buttons, non-sterile, pack of 50
1	GM11000330	Length gauge, GammaMed $plus$
<b>Required and Recommended Accessories, VariSource Series (if not already purchased)</b>		
Refer to the Instruction For Use (IFU) for GM11013200		
<b>Optional Components and Accessories</b>		
1	GM11000670	Cervical stop
1	GM11002370	Allen key ø 2.5 mm, autoclavable
1	GM11010340	Universal sterilization box
1	AL13142000	Cervical sleeve, 3 mm aperture, 20 mm length, single use
1	AL13142001	Cervical sleeve, 3 mm aperture, 40 mm length, single use
1	AL13142002	Cervical sleeve, 3 mm aperture, 60 mm length, single use
1	AL13142003	Cervical sleeve, 3 mm aperture, 80 mm length, single use

\*Quantity included with the kit. Quantity associated with each part number is one (1) unless otherwise indicated in the product description.

\*\*Choose desired quantity - one per channel.

+Either set needed.

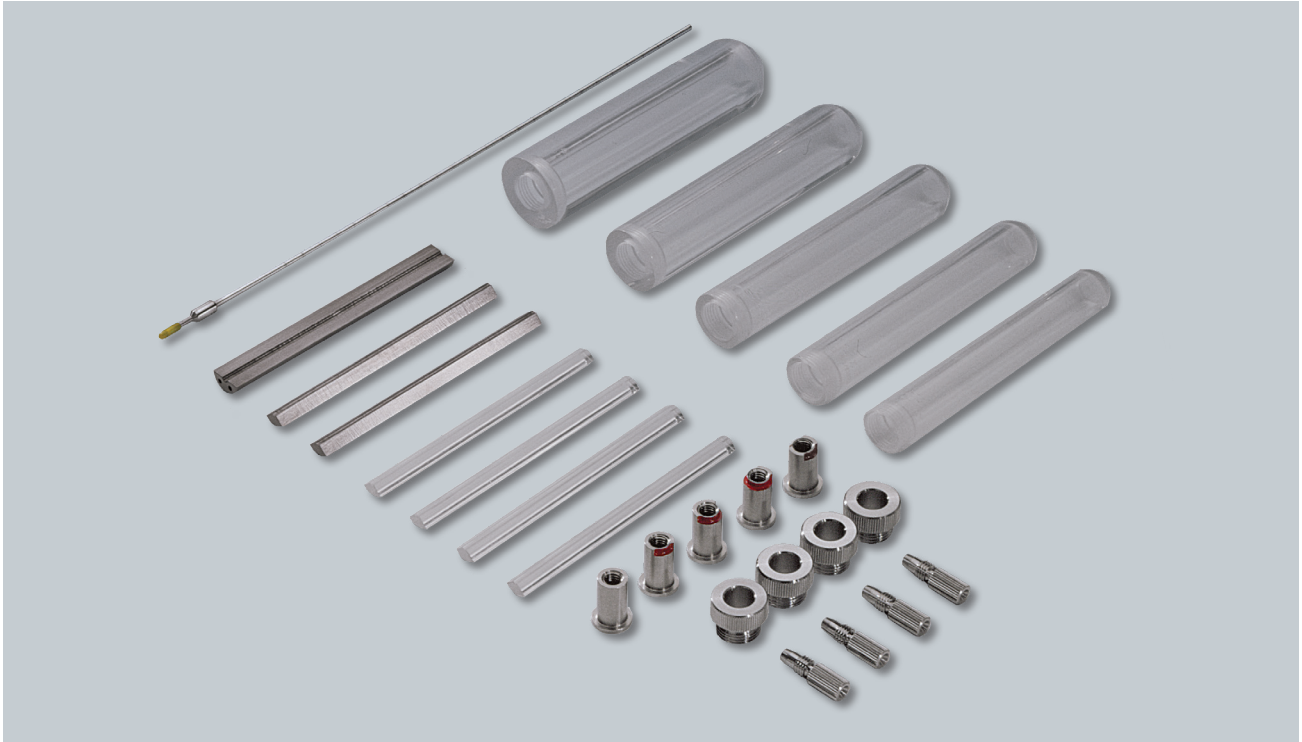
# Shielded Applicator Set

## GM11004380

CT Compatible unshielded only

**Intended for:** HDR or PDR intracavitary brachytherapy of the vagina, vaginal stump or rectum,

**Afterloader:** BRAVOS™ / GammaMedplus™ Series / VariSource™ Series



The Shielded Applicator Set is used to treat cancer of the vagina or rectum where partial shielding is required. The 90° and 180° tungsten alloy shielding segments provide a variety of different shielding positions. After insertion, the marking screw allows for external identification of the area being shielded inside.

- Suitable for vagina, vaginal stump or rectum
- Easy-to-read key allows for outside identification of the inside shielded area
- Multiple cylinder diameters allow for various shielding positions
- Provides optimal dose adaptation to patient anatomy

For PDR treatments, use the Plexiglas filler pieces only, as shielding is not recommended.

Qty.*	Product #	Components of the Applicator Set
1	GM11003380	Shielded cylinder, 20 mm diameter
1	GM11003390	Shielded cylinder, 23 mm diameter
1	GM11003400	Shielded cylinder, 26 mm diameter
1	GM11003510	Shielded cylinder, 30 mm diameter
1	GM11003420	Shielded cylinder, 35 mm diameter
1	GM11003440	Marking screw, 0°, shielded
1	GM11003450	Marking screw, 90°, shielded
1	GM11003460	Marking screw, 2 x 90°, shielded
1	GM11003470	Marking screw, 180°, shielded
1	GM11003480	Marking screw, 270°, shielded
4	GM11003490	Clamping nut for marking screw
4	GM11003710	Clamping screw for probe, 3 mm diameter
2	GM11003600	Tungsten alloy shielding, 90°
1	GM11003880	Tungsten alloy shielding, 180°
4	GM11003890	Plexiglas filler piece, 90°
1	GM11002070	Applicator probe, 3 mm diameter x 320 mm length, straight
4	GM11010770	Cleaning caps, dark blue (pack of 25)
<b>Required and Recommended Accessories, BRAVOS (if not already purchased)</b>		
**	GM11010800	Transfer guide tube for 320 mm applicators
**	GM11010870	Transfer guide tube, 1000 mm length for applicators (for non-standard treatment length)
1	GM11011800	Length assessment device
1	GM11003810	Leak stop buttons, non-sterile, pack of 50
1	GM11009600	X-ray marker BV, up to 320 mm applicators, uncoded
<b>Required and Recommended Accessories, GammaMed<sup>plus</sup> Series (if not already purchased)</b>		
1	GM11000340	Source guide tube with locking mechanism for 320 mm applicators, GammaMed <sup>plus</sup>
1	GM11009600	X-ray marker BV, up to 320 mm applicators, uncoded
1	GM11000670	Cervical stop (PDR only)
1	GM11000700	Allen wrench 2.0 mm (PDR only)
1	GM11003810	Leak stop buttons, non-sterile, pack of 50
1	GM11000330	Length gauge, GammaMed <sup>plus</sup>
<b>Required and Recommended Accessories, VariSource Series (if not already purchased)</b>		
Refer to the Instruction For Use (IFU) for GM11014380		
<b>Optional Components and Accessories</b>		
1	GM11001960	Flexible fixation device for gynecological applicators
1	GM11008700	Universal applicator clamping device
1	GM11001390	Source guide tube support (Bravos and GammaMed <sup>plus</sup> units only)
1	GM11010340	Universal sterilization box
1	GM11003220	Cleaning Caps, black (pack of 20)
1	GM11003330	Cleaning Caps, grey (pack of 20)

\*Quantity included with the kit. Quantity associated with each part number is one (1) unless otherwise indicated in the product description.

\*\*Choose desired quantity - one per channel.

# Universal Endometrial Applicator Set

## GM11009840

CT Compatible / MR Conditional: 1.5 and 3.0 Tesla

**Intended for:** HDR or PDR brachytherapy of the vagina, cervix, endometrium, and uterus

**Afterloader:** BRAVOS™ / GammaMedplus™ Series / VariSource™ Series



The Universal Endometrial Applicator Set is used to treat the vagina, cervix, endometrium, and uterus. The set contains three pairs of angled tandems of 60 mm, 70 mm and 80 mm intrauterine length, and one straight intrauterine tandem. The angled tandems can be rotated and shifted longitudinally from one another, allowing the applicator to adapt to a wider range of patient anatomies. The set also contains a vaginal cylinder of 30 mm diameter and 50 mm length to center the tandems within the vagina. In addition to stabilizing the applicator, the vaginal cylinder allows for treatment of the superior portion of the vagina.

- Suitable for treatment of the vagina, cervix, endometrium, and uterus
- CT Compatible
- Made of Titanium and PEEK to be lightweight
- Steam sterilizable (Aluminum sterilization tray included)

Qty.*	Product #	Components of the Applicator Set
1	GM11009860	Intrauterine tandems, right and left, 320 mm length, and 20° x 60 mm intrauterine length
1	GM11009870	Intrauterine tandems, right and left, 320 mm length, and 20° x 70 mm intrauterine length
1	GM11009880	Intrauterine tandems, right and left, 320 mm length, and 20° x 80 mm intrauterine length
1	GM11009900	Intrauterine tandem, center, 320 mm length, straight
1	GM11009910	Clamping unit for endometrial applicator
1	GM11009920	Vaginal cylinder with lever, 30 mm diameter x 50 mm length
1	GM11009940	Sterilization tray
1	GM11009950	Grub screws for clamping unit (pack of 10)
1	GM11000700	Allen key, 2.0 mm wrench size
4	GM11010770	Cleaning cap, dark blue (pack of 25)
<b>Required and Recommended Accessories, BRAVOS (if not already purchased)</b>		
1	GM11010810	Coded transfer guide tube channel 1, for 320 mm applicators
1	GM11010820	Coded transfer guide tube channel 2, for 320 mm applicators
1	GM11010830	Coded transfer guide tube channel 3, for 320 mm applicators
**	GM11010800	Transfer guide tube for 320 mm applicators (alternative - uncoded)
**	GM11010870	Transfer guide tube, 1000 mm length for applicators (for non-standard treatment length)
1	GM11011800	Length assessment device
3	GM11009600	X-ray marker BV, up to 320 mm applicators, uncoded
1	GM11003810	Leak stop buttons, non-sterile, pack of 50
<b>Required and Recommended Accessories, GammaMed<sup>plus</sup> Series (if not already purchased)</b>		
3	GM11000340	Source guide tubes with locking mechanism for 320 mm applicators, GammaMed <sup>plus</sup>
3	GM11009600	X-ray marker BV, up to 320 mm applicators, uncoded
1	GM11000330	Length gauge, GammaMed <sup>plus</sup>
1	GM11003810	Leak stop buttons, non-sterile, pack of 50
<b>Required and Recommended Accessories, VariSource Series (if not already purchased)</b>		
Refer to the Instruction For Use (IFU) for GM11009840		
<b>Optional Components &amp; Accessories</b>		
1	GM11009850	Intrauterine tandems, right and left, 320 mm length, and 20° x 50 mm intrauterine length
1	GM11009890	Intrauterine tandems, right and left, 320 mm length, and 20° x 90 mm intrauterine length
1	GM11009930	Handle for lever
1	GM11009620	X-ray marker BV set I, up to 320 mm applicators, coded 1 - 6
1	GM11008700	Universal applicator clamping device
1	GM11001390	Source guide tube support (Bravos and GammaMed <sup>plus</sup> units only)
1	GM11003220	Cleaning Caps, black (pack of 20)
1	GM11003330	Cleaning Caps, grey (pack of 20)

\*Quantity included with the kit. Quantity associated with each part number is one (1) unless otherwise indicated in the product description.

\*\*Choose desired quantity - one per channel.

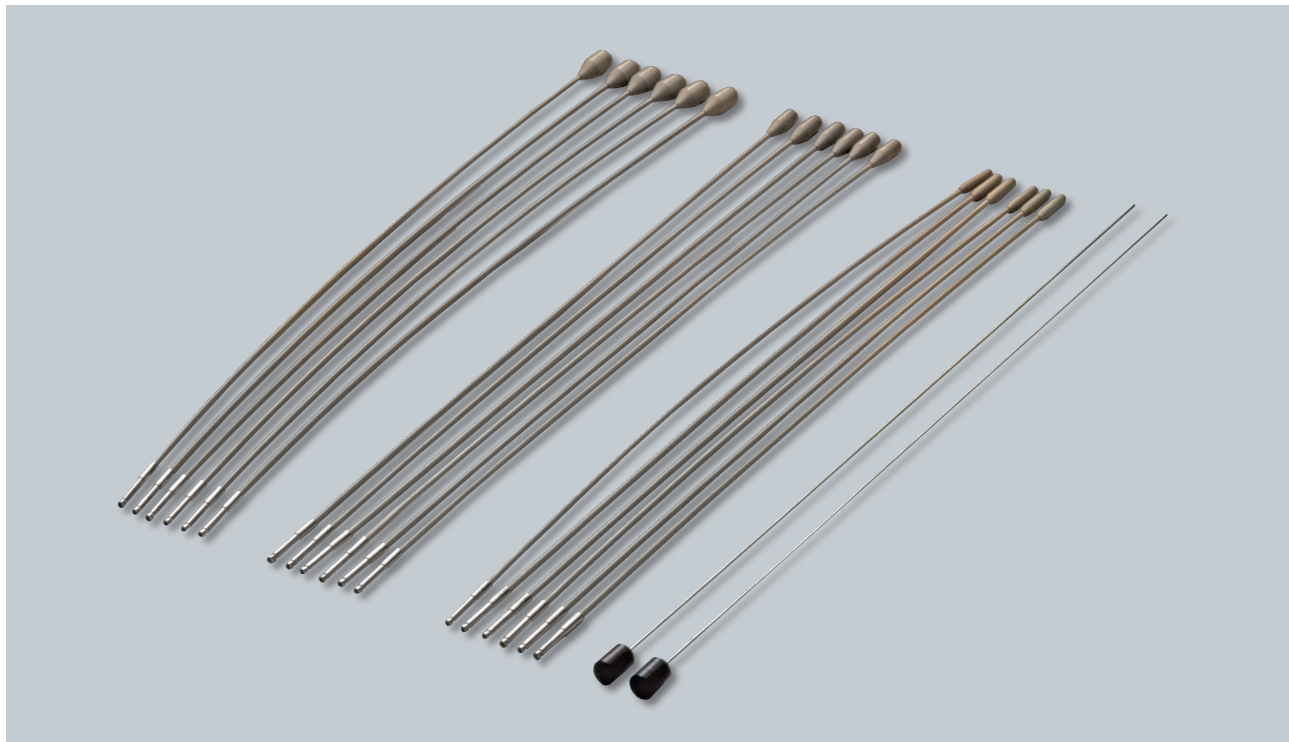
# Heyman Packing Applicator Set

## GM11004580

CT Compatible / MR Conditional: 1.5 and 3.0 Tesla

**Intended for:** HDR or PDR intracavitary brachytherapy of the endometrium

**Afterloader:** BRAVOS™ / GammaMedplus™ Series / VariSource™ Series



The Heyman Packing Applicator Set is used to simulate the classic Heyman packing technique for endometrial cancer treatment. The standard set contains capsules which are 4 mm, 6 mm, and 8 mm in diameter. The applicator is reusable and can be steam sterilized. There is a set of channel marker clips for visual coding of individual capsules. Obturators help prevent kinks and ease the insertion of the capsules.

- Suitable for endometrium
- Simulates classic Heyman packing technique
- CT Compatible / MR Conditional: 1.5 and 3.0 Tesla if used without channel markers and mandrins
- 4 mm, 6 mm, and 8 mm diameter capsules for optimal packing of the cavum-uteri
- Stabilizing obturators allow for easy insertion
- Channel marker clips provide visual coding and easy identification of multiple channels
- Steam sterilizable

Qty.*	Product #	Components of the Applicator Set
6	GM11005280	Heyman capsule, 4 mm diameter x 17.5 mm length, with mandrin
6	GM11005110	Heyman capsule, 6 mm diameter x 17.5 mm length, with mandrin
6	GM11005040	Heyman capsule, 8 mm diameter x 17.5 mm length, with mandrin
4	GM11010770	Cleaning caps, dark blue (pack of 25)
1	GM11010510	Leak stop channel marker set, 1-12
1	GM11003810	Leak stop buttons, non-sterile, pack of 50
<b>Required and Recommended Accessories, BRAVOS (if not already purchased)</b>		
**	GM11010800	Transfer guide tube for 320 mm applicators
**	GM11010870	Transfer guide tube, 1000 mm length for applicators (for non-standard treatment length)
1	GM11011800	Length assessment device
1	GM11009620	X-ray marker BV set I, up to 320 mm applicators, coded 01-06
1	GM11009630	X-ray marker BV set II, up to 320 mm applicators, coded 07-12
1	GM11003810	Leak stop buttons, non-sterile, pack of 50
<b>Required and Recommended Accessories, GammaMed<math>plus</math> Series (if not already purchased)</b>		
**	GM11003400	Source guide tube with locking mechanism for 320 mm applicators, GammaMed $plus$
**	GM11010760	Source guide tube light with locking mechanism for 320 mm needles, GammaMed $plus$
1	GM11009620	X-ray marker BV set I, up to 320 mm applicators, coded 01-06
1	GM11009630	X-ray marker BV set II, up to 320 mm applicators, coded 07-12
1	GM11000330	Length gauge, GammaMed $plus$
1	GM11003810	Leak stop buttons, non-sterile, pack of 50
<b>Required and Recommended Accessories, VariSource Series (if not already purchased)</b>		
Refer to the Instruction For Use (IFU) for GM11004580		
<b>Optional Components and Accessories</b>		
1	GM11010510	Leak stop channel markers, 01-12
1	GM11003100	Mandrin for 320 mm length
1	GM11001390	Source guide tube support (Bravos and GammaMed $plus$ units only)
1	GM11010340	Universal sterilization box
1	GM11003220	Cleaning Caps, black (pack of 20)
1	GM11003330	Cleaning Caps, grey (pack of 20)

\*Quantity included with the kit. Quantity associated with each part number is one (1) unless otherwise indicated in the product description.

\*\*Choose desired quantity - one per channel.



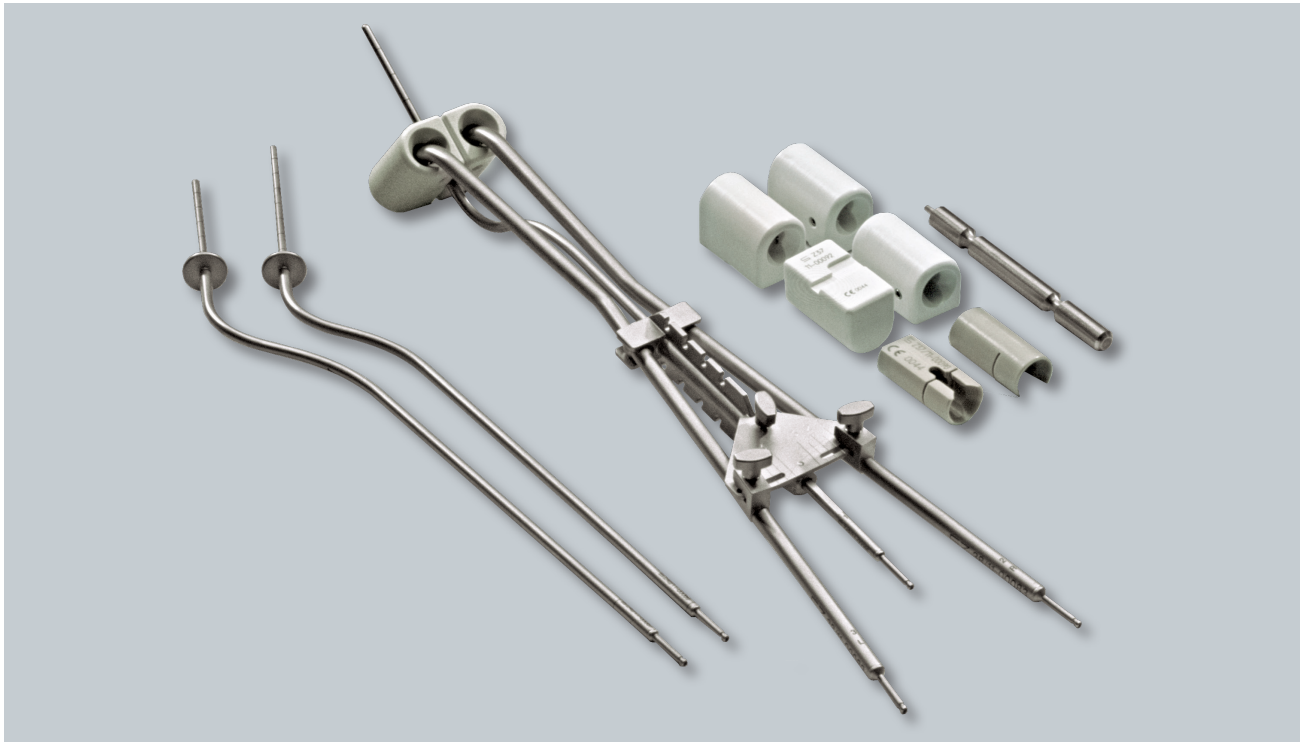
# Fletcher-Style Applicator Set - Defined Geometry

## GM11000810

CT Compatible

**Intended for:** HDR intracavitary brachytherapy of the uterus, cervix, endometrium and vagina

**Afterloader:** BRAVOS™ / GammaMedplus™ Series / VariSource iX™



The Fletcher-Style Applicator Set - Defined Geometry reproduces applicator geometry of the conventional Fletcher-Style applicator. The use of three independent probes also allows a non-cylindrical isodose shaping in the cervix area. The colpostat segments are designed to prevent tissue protrusion between the segments even with widespread setups. Relative to the vaginal axis, the colpostat probes are curved 60° and the intrauterine probes are curved 30°. The intrauterine probes are 3 mm in outer diameter to allow for easy insertion. The cervical stopper reduces the risk of perforation. The set contains three sizes of intrauterine probes with additional sizes available. The set works with Smit cervical sleeves to allow for repeated insertion and reduce risk of perforation. A rectal retractor can be attached to allow for rectal dose reduction as well as the use of forceps.

- Suitable for uterus, cervix, endometrium and vagina
- Reproduces the applicator geometry of conventional Fletcher-Style applicators
- Three independent probes allow for non-cylindrical dose shaping
- Flat-edged colpostat segments help prevent tissue protrusion between segments
- 3 mm diameter intrauterine tandem probes allow for easy insertion into cervical channel helping provide maximum patient comfort
- Vaginal axis colpostat probes are 60° and intrauterine 30° probes allow for a 90° angle between colpostat segments and intrauterine probe to help provide optimal positioning
- Intrauterine probes equipped with cervical stoppers reduce the risk of perforation
- Optional Smit cervical sleeves help provide maximum patient comfort
- Optional rectal retractor uses a central clamping mechanism that allows for easy use of forceps
- Steam sterilizable

Qty.*	Product #	Components of the Applicator Set
1	GM11000820	Colpostat probe, left
1	GM11000830	Colpostat probe, right
1	GM11000850	Intrauterine probe with stopper, length 40 mm, 30° angle
1	GM11000870	Intrauterine probe with stopper, length 60 mm, 30° angle
1	GM11000890	Intrauterine probe with stopper, length 80 mm, 30° angle
1	GM11000900	Mini colpostats, pair
1	GM11000910	Colpostats for 20 mm spread, pair
1	GM11000920	Colpostats for 25 mm spread, pair
1	GM11000930	Colpostats for 30 mm spread, pair
1	GM11000860	Central clamping mechanism
1	GM11000700	Allen wrench, 2.0 mm wrench size, for colpostat fixation screws
4	GM11010770	Cleaning caps, dark blue (pack of 25)
<b>Required and Recommended Accessories, BRAVOS (if not already purchased)</b>		
1	GM11010810	Coded transfer guide tube channel 1, for 320 mm applicators
1	GM11010820	Coded transfer guide tube channel 2, for 320 mm applicators
1	GM11010830	Coded transfer guide tube channel 3, for 320 mm applicators
**	GM11010800	Transfer guide tube for 320 mm applicators (alternative - uncoded)
**	GM11010870	Transfer guide tube, 1000 mm length for applicators (for non-standard treatment length)
3	GM11009600	X-ray marker BV, up to 320 mm applicators, uncoded
1	GM11011800	Length assessment device
1	GM11003810	Leak stop buttons, non-sterile, pack of 50
<b>Required and Recommended Accessories, GammaMed<i>plus</i> Series (if not already purchased)</b>		
3	GM11003400	Source guide tube with locking mechanism for 320 mm applicators, GammaMed <i>plus</i>
3	GM11009600	X-ray marker BV, up to 320 mm applicators, uncoded
1	GM11000330	Length gauge, GammaMed <i>plus</i>
1	GM11003810	Leak stop buttons, non-sterile, pack of 50
<b>Required and Recommended Accessories, VariSource Series (if not already purchased)</b>		
Refer to the Instruction For Use (IFU) for GM11000810		

Optional Components and Accessories		
1	GM11000840	Rectal retractor for 3-channel applicators
1	GM11001160	Cervical sleeves, 30 mm length
1	GM11000960	Cervical sleeves, 40 mm length
1	GM11001170	Cervical sleeves, 50 mm length
1	GM11001260	Cervical sleeves, 60 mm length
1	GM11001150	Cervical sleeves, 70 mm length
1	GM11001140	Cervical sleeves, 80 mm length
1	AL13142000	Cervical sleeve, 20 mm length, single use
1	AL13142001	Cervical sleeve, 40 mm length, single use
1	AL13142002	Cervical sleeve, 60 mm length, single use
1	AL13142003	Cervical sleeve, 80 mm length, single use
1	GM11000940	Intrauterine tube with stopper, 30 mm length, 30° angle
1	GM11000790	Intrauterine tube with stopper, 50 mm length, 30° angle
1	GM11000880	Intrauterine tube with stopper, 70 mm length, 30° angle
1	GM11000660	Flexible fixation device for 3 channel applicators
1	GM11001930	Fixation strap, 500 mm/150 mm
1	GM11001940	Fixation strap, 1050 mm/350 mm
1	GM11001950	Fixation strap, 1700 mm/500 mm
1	GM11008700	Universal applicator clamping device
1	GM11001390	Source guide tube support (Bravos and GammaMed <sup>plus</sup> units only)
1	GM11010320	Sterilization box for Fletcher-Style applicators, defined geometry, GM11000810 & GM11006200
1	GM11003220	Cleaning Caps, black (pack of 20)
1	GM11003330	Cleaning Caps, grey (pack of 20)

*\*Quantity included with the kit. Quantity associated with each part number is one (1) unless otherwise indicated in the product description.*

*\*\*Choose desired quantity - one per channel.*



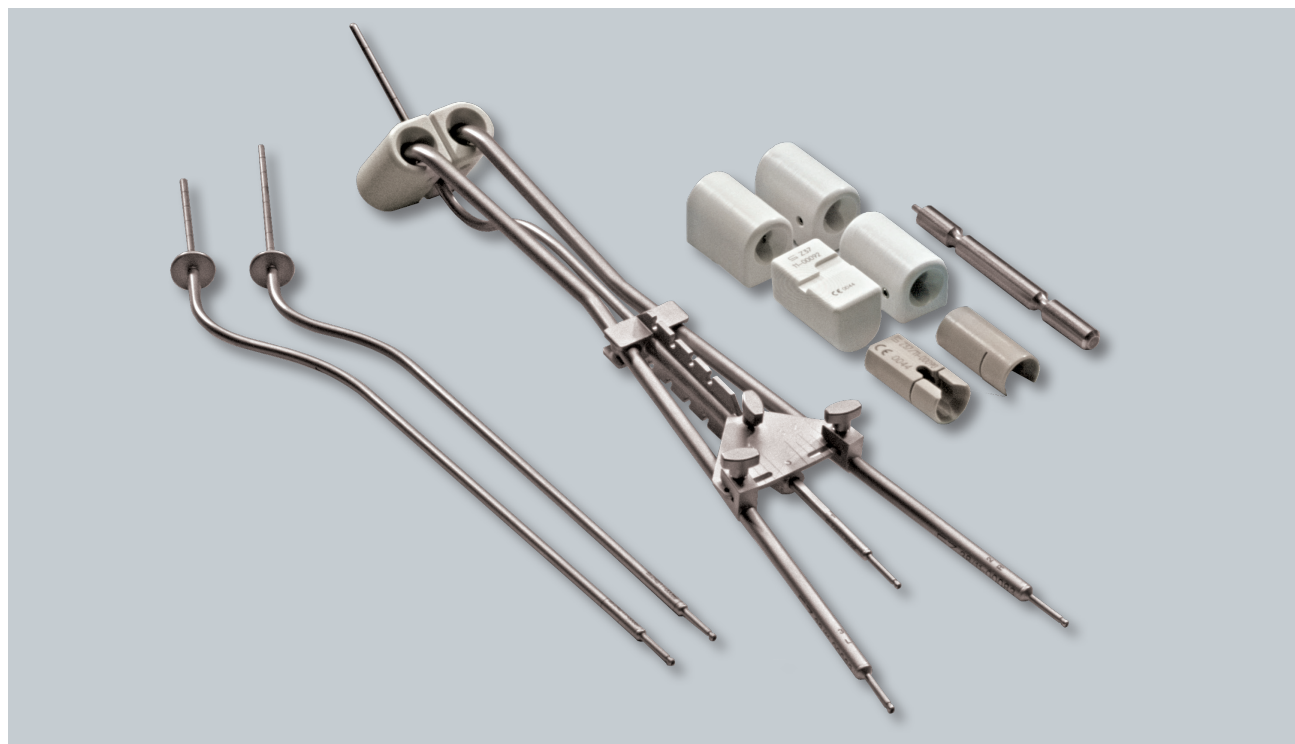
# Titanium Fletcher-Style Applicator Set - Defined Geometry

## GM11006200

CT Compatible / MR Conditional: 1.5 and 3.0 Tesla

**Intended for:** HDR or PDR intracavitary brachytherapy of the uterus, cervix, endometrium and vagina

**Afterloader:** BRAVOS™ / GammaMedplus™ Series / VariSource™ Series



The Titanium Fletcher-Style Applicator Set - Defined Geometry reproduces applicator geometry of the conventional Fletcher-Style applicator. The use of three independent probes also allows a non-cylindrical isodose shaping in the cervix area. The colpostate segments are designed to prevent tissue protrusion between the segments even with widespread setups. Relative to the vaginal axis, the colpostat probes are curved 60° and the intrauterine probes are curved 30°. The intrauterine probes are 3 mm in outer diameter to allow for easy insertion. The cervical stopper reduces the risk of perforation. The set contains three sizes of intrauterine probes with additional sizes available. The set works with Smit cervical sleeves to allow for repeated insertion and help prevent perforation. A rectal retractor can be attached to allow for rectal dose reduction as well as the use of forceps

- Suitable for uterus, cervix, endometrium and vagina
- CT Compatible
- Made from lightweight titanium

- Titanium parts clearly marked with a "Ti" for easy identification
- Reproduces the applicator geometry of conventional Fletcher-Style applicators
- Three independent probes which allow for non-cylindrical dose shaping
- Flat-edged colpostat segments help prevent tissue protrusion between segments
- 3 mm diameter intrauterine tandem probes allow for easy insertion into cervical channel helping provide maximum patient comfort
- Vaginal axis colpostat probes are 60° and intrauterine 30° probes allow for a 90° angle between colpostat segments and intrauterine probe to help provide optimal positioning
- Intrauterine probes equipped with cervical stoppers reduce the risk of perforation
- Optional Smit cervical sleeves allow easy multiple fraction application and help provide maximum patient comfort
- Optional rectal retractor uses a central clamping mechanism that allows for easy use of forceps

Qty.*	Product #	Components of the Applicator Set
1	GM11010700	Pair of Titanium Colpostat Probes
1	GM11006140	Titanium intrauterine probe with stopper, length 40 mm, 30° angle
1	GM11006160	Titanium intrauterine probe with stopper, length 60 mm, 30° angle
1	GM11006180	Titanium intrauterine probe with stopper, length 80 mm, 30° angle
1	GM11000900	Mini colpostats
1	GM11000910	Colpostats for 20 mm spread
1	GM11000920	Colpostats for 25 mm spread
1	GM11000930	Colpostats for 30 mm spread
1	GM11006190	Titanium central clamping mechanism
1	GM11000700	Allen wrench, 2.0 mm wrench size, for colpostat fixation screws
4	GM11010770	Cleaning caps, dark blue (pack of 25)
<b>Required and Recommended Accessories, BRAVOS (if not already purchased)</b>		
1	GM11010810	Coded transfer guide tube channel 1, for 320 mm applicators
1	GM11010820	Coded transfer guide tube channel 2, for 320 mm applicators
1	GM11010830	Coded transfer guide tube channel 3, for 320 mm applicators
**	GM11010800	Transfer guide tube for 320 mm applicators
**	GM11010870	Transfer guide tube, 1000 mm length for applicators (for non-standard treatment length)
1	GM11011800	Length assessment device
3	GM11009600	X-ray marker BV, up to 320 mm applicators, uncoded
1	GM11003810	Leak stop buttons, non-sterile, pack of 50
<b>Required and Recommended Accessories, GammaMed<i>plus</i> Series (if not already purchased)</b>		
3	GM11003400	Source guide tube with locking mechanism for 320 mm applicators, GammaMed <i>plus</i>
1	GM11000330	Length gauge, GammaMed <i>plus</i>
3	GM11009600	X-ray marker BV, up to 320 mm applicators, uncoded
1	GM11003810	Leak stop buttons, non-sterile, pack of 50
<b>Required and Recommended Accessories, VariSource Series (if not already purchased)</b>		
Refer to the Instruction For Use (IFU) for GM11006200		

Optional Components and Accessories		
1	GM11006750	Titanium rectal retractor
1	GM11001160	Cervical sleeves, 30 mm length
1	GM11000960	Cervical sleeves, 40 mm length
1	GM11001170	Cervical sleeves, 50 mm length
1	GM11001260	Cervical sleeves, 60 mm length
1	GM11001150	Cervical sleeves, 70 mm length
1	GM11001140	Cervical sleeves, 80 mm length
1	AL13142000	Cervical sleeve, 20 mm length, single use
1	AL13142001	Cervical sleeve, 40 mm length, single use
1	AL13142002	Cervical sleeve, 60 mm length, single use
1	AL13142003	Cervical sleeve, 80 mm length, single use
1	GM11006130	Titanium intrauterine tube with stopper, 30 mm length, 30° angle
1	GM11006150	Titanium intrauterine tube with stopper, 50 mm length, 30° angle
1	GM11006170	Titanium intrauterine tube with stopper, 70 mm length, 30° angle
1	GM11000660	Flexible fixation device for 3 channel applicators
1	GM11001930	Fixation strap, 500 mm/150 mm
1	GM11001940	Fixation strap, 1050 mm/350 mm
1	GM11001950	Fixation strap, 1700 mm/500 mm
1	GM11008700	Universal applicator clamping device
1	GM11001390	Source guide tube support (Bravos and GammaMed <i>plus</i> units only)
1	GM11010320	Sterilization box for Fletcher-Style applicators, defined geometry, GM11000810 & GM11006200
1	GM11003220	Cleaning Caps, black (pack of 20)
1	GM11003330	Cleaning Caps, grey (pack of 20)

*\*Quantity included with the kit. Quantity associated with each part number is one (1) unless otherwise indicated in the product description.*

*\*\*Choose desired quantity - one per channel.*





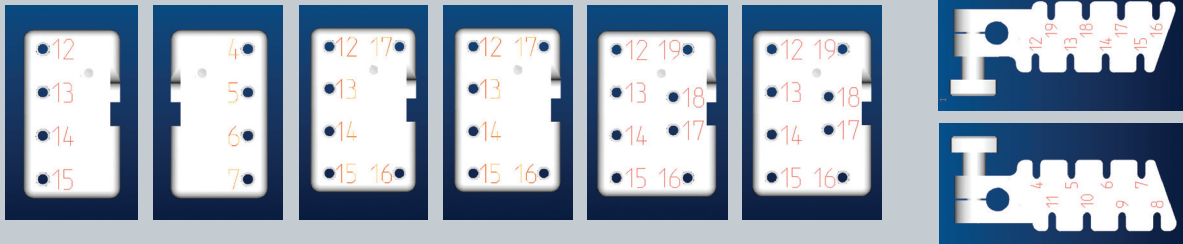
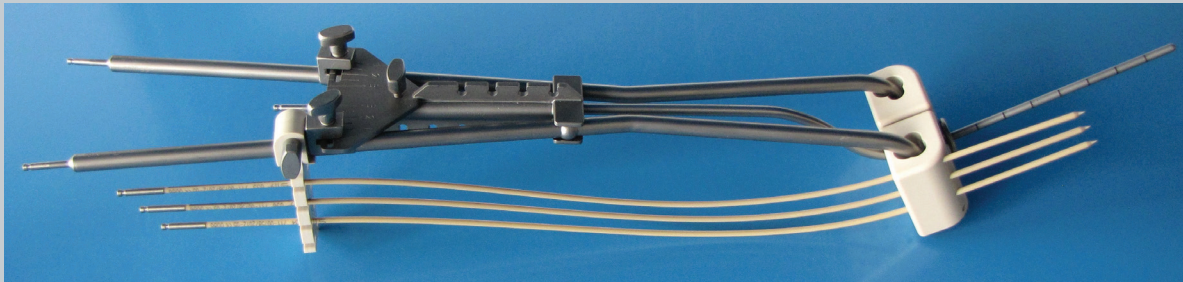
# Interstitial Components for Titanium Fletcher-Style Applicator

## Interstitial Components related to GM11006200

CT Compatible / MR Conditional: 1.5 and 3.0 Tesla

**Intended for:** HDR or PDR combined interstitial and intracavitary brachytherapy of the uterus, cervix, para-cervical, endometrium & vagina

**Afterloader:** BRAVOS™ / GammaMedplus™ Series / VariSource™ Series



The Interstitial Components allow the Titanium Fletcher-Style Applicator Set - Defined Geometry, GM11006200, to be used for combined interstitial and intracavitary brachytherapy of the cervix. The ovoid pairs, offered in multiple sizes, have needle holes to act as a template for interstitial needle placement using either blunt-tip or sharp-tip plastic needles. Needle collectors allow for management of the multi-channel applicator. All components are sold individually.

- Suitable for uterus, cervix, para-cervical, endometrium and vaginal treatments
- CT Compatible / MR Conditional: 1.5 and 3.0 Tesla
- Allows for 3D conformal dose distributions
- Ovoids act as template for placing needles interstitially in the cervix area
- Ovoids offer 4, 6, or 8 needle holes on each side for 20 mm, 25 mm, and 30 mm spread ovoids respectively
- Flat-edged ovoids help prevent tissue protrusion between ovoids
- Needle collectors organize and fix needles
- Blunt-tip plastic needles available to help guard against excessive bleeding

*Not available in certain markets pending regulatory release*

Qty.*	Product #	Available Components
1	GM11010710	3D-FSD interstitial ovoid pair for 20 mm spread, with 4 needle guide holes each ovoid
1	GM11010720	3D-FSD interstitial ovoid pair for 25 mm spread, with 6 needle guide holes each ovoid
1	GM11010730	3D-FSD interstitial ovoid pair for 30 mm spread, with 8 needle guide holes each ovoid
1	GM11010740	Needle collector pair for the Titanium Fletcher-Style Applicator Set
**	GM11010750	Plastic needle with mandrin, 2.0 mm diameter, length 320 mm, blunt tip
**	GM11007580	Plastic needle with mandrin, 2.0 mm diameter, length 320 mm
<b>Required and Recommended Accessories, BRAVOS (if not already purchased)</b>		
**	GM11010800	Transfer guide tube for 320 mm applicators
**	GM11010870	Transfer guide tube, 1000 mm length for applicators (for non-standard treatment length)
1	GM11010510	Leak stop channel marker set, 1-12
1	GM11010520	Leak stop channel marker set, 13-24
<b>Required and Recommended Accessories, GammaMedplus Series (if not already purchased)</b>		
**	GM11003400	Source guide tube with locking mechanism for 320 mm applicators, GammaMedplus
1	GM11010510	Leak stop channel marker set, 1-12
1	GM11010520	Leak stop channel marker set, 13-24
<b>Required and Recommended Accessories, VariSource Series (if not already purchased)</b>		
Refer to the Instruction For Use (IFU) for GM11006200		
<b>Optional Components and Accessories</b>		
**	GM11003270	Mandrin, for 200 mm needles
1	GM11012340	Needle box
1	GM11009620	X-ray marker BV set I, up to 320 mm applicators, coded 01 – 06
1	GM11009630	X-ray marker BV set I, up to 320 mm applicators, coded 07 – 12
**	GM11010760	Source guide tube light with locking mechanism for 320 mm needles, GammaMedplus
1	GM11003810	Leak stop buttons, non-sterile, pack of 50

\*Quantity included with the kit. Quantity associated with each part number is one (1) unless otherwise indicated in the product description.

\*\*Choose desired quantity- one per channel.

# Titanium FSD-Style Applicator Set - Flexible Geometry

## AL13030001

CT Compatible / MR Conditional: 1.5 and 3.0 Tesla

**Intended for:** HDR or PDR intracavitary brachytherapy of the uterus, cervix, endometrium & vagina

**Afterloader:** BRAVOS™ / GammaMed*plus*™ Series / VariSource™ Series



The Titanium Fletcher-Suit Delclos-Style Applicator Set is used for high dose and pulse dose rate treatment of the uterus, cervix, endometrium and vagina. Based upon the traditional FSD design, the Titanium Fletcher-Suit Delclos-Style Applicator is manufactured from titanium. The applicator features two colpostats which can be used with interlocking tandems of angles 15°, 30° and 45°. The tandem's intrauterine section is 3.5 mm in diameter which may permit insertion without total anesthesia even when used without a cervical sleeve. Optional interstitial ovoids allow for the treatment of locally advanced cancers with the combination of intracavitary and interstitial components.

- Suitable for uterus, cervix, endometrium and vagina based on the traditional Fletcher-Suit Delclos design
- CT Compatible / MR Conditional: 1.5 and 3.0 Tesla
- Tandems angles of 15°, 30° and 45°
- 3.5 mm tandem diameter allows for insertion into flexible cervical sleeves
- Includes cervical stoppers
- Optional interstitial ovoids
- Steam sterilizable

Qty.*	Product #	Components of the Applicator Set
1	AL07523000	Pair of titanium colpostat tandem (left & right)
1	AL07522000	Titanium intrauterine tandem, angle 15°
1	AL07522001	Titanium intrauterine tandem, angle 30°
1	AL07522002	Titanium intrauterine tandem, angle 45°
1	AL07340000	Titanium tandem pivot assembly with locking nut
1	AL07334003	Ovoid pair, mini, ø 16 mm
1	AL07334002	Ovoid pair, ø 20 mm
1	AL07334001	Ovoid pair, ø 25 mm
1	AL07334000	Ovoid pair, ø 30 mm
1	AL07339000	Titanium cervical stop set screw
1	AL07338000	Acetal, cervical stop with titanium CT marker
1	AL07344000	Titanium cervical stop
1	AL07342000	Titanium Allen wrench, autoclavable
1	AL07341000	Titanium locking nut
4	GM11010770	Cleaning caps, dark blue (pack of 25)
<b>Required and Recommended Accessories, BRAVOS (if not already purchased)</b>		
1	GM11010810	Coded transfer guide tube channel 1, for 320 mm applicators
1	GM11010820	Coded transfer guide tube channel 2, for 320 mm applicators
1	GM11010830	Coded transfer guide tube channel 3, for 320 mm applicators
**	GM11010800	Transfer guide tube for 320 mm applicators (alternative - uncoded)
**	GM11010870	Transfer guide tube, 1000 mm length for applicators (for non-standard treatment length)
1	GM11011800	Length assessment device
3	GM11009600	X-ray marker BV, up to 320 mm applicators, uncoded
1	GM11003810	Leak stop buttons, non-sterile, pack of 50
<b>Required and Recommended Accessories, GammaMed<math>plus</math> Series (if not already purchased)</b>		
3	GM11000340	Source guide tube with locking mechanism for 320 mm applicators, GammaMed $plus$
1	GM11000330	Length gauge, GammaMed $plus$
3	GM11009600	X-ray marker BV, up to 320 mm applicators, uncoded
1	GM11003810	Leak stop buttons, non-sterile, pack of 50
<b>Required and Recommended Accessories, VariSource Series (if not already purchased)</b>		
Refer to the Instruction For Use (IFU) for AL13030001		
<b>Optional Components and Accessories</b>		
1	AL13142000	Cervical sleeve, 20 mm length, single use
1	AL13142001	Cervical sleeve, 40 mm length, single use
1	AL13142002	Cervical sleeve, 60 mm length, single use
1	AL13142003	Cervical sleeve, 80 mm length, single use
1	GM11001390	Source guide tube support (Bravos and GammaMed $plus$ units only)
1	GM11008700	Universal applicator clamping device
1	AL07335000+	Ovoids set screw (pack of 8)
1	GM11003220	Cleaning Caps, black (pack of 20)
1	GM11003330	Cleaning Caps, grey (pack of 20)

\*Quantity included with the kit. Quantity associated with each part number is one (1) unless otherwise indicated in the product description.

\*\*Choose desired quantity - one per channel.

+Spare part for the ovoid

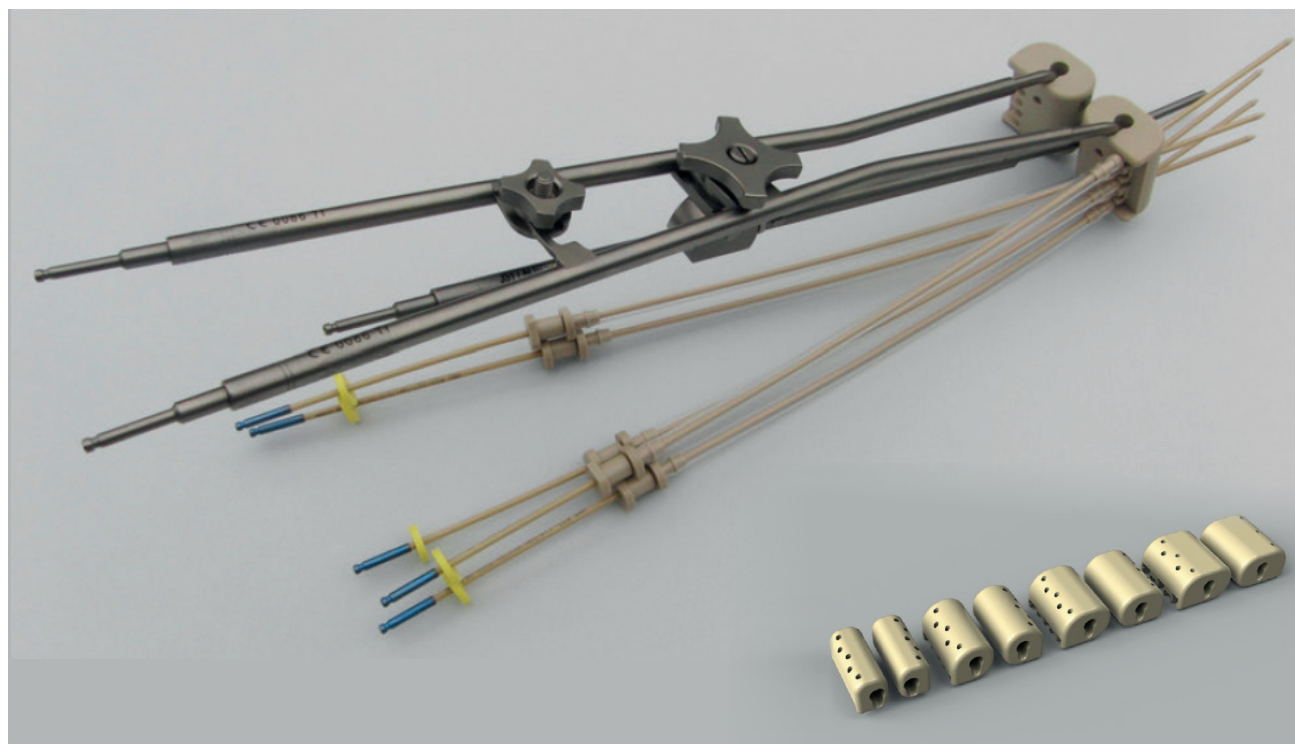
# Interstitial Components for Titanium FSD-Style Applicator Set - Flexible Geometry

## Interstitial components related to AL13030001

CT Compatible / MR Conditional: 1.5 and 3.0 Tesla

**Intended for:** HDR or PDR combined interstitial and intracavitary brachytherapy of the uterus, cervix, para-cervical, endometrium & vagina

**Afterloader:** BRAVOS™ / GammaMedplus™ Series / VariSource™ Series



The Interstitial Components allow the Titanium Fletcher-Style Applicator Set - Flexible Geometry, AL13030001, to be used for combined interstitial and intracavitary brachytherapy of the cervix. The ovoid pairs, offered in multiple sizes, have needle guided holes to be used in combination with the interstitial intracavitary system for easy and well guided needle insertion. The system can be used in combination with either blunt-tip or sharp-tip plastic needles. All components are sold individually.

- Suitable for uterus, cervix, endometrium and vagina based on the traditional Fletcher-Suit Delclos design
- CT Compatible / MR Conditional: 1.5 and 3.0 Tesla
- Steam sterilizable

Qty.*	Product #	Components Required for interstitial Use of Titanium FSD-Style Applicator Set - Flexible Geometry AL13030001
**	GM11013410	Guide tube for ø 2 mm needles
1	GM11013420	Interstitial mini ovoid pair, with fixation for guide tubes
1	GM11013430	Interstitial ovoid pair for 20 mm spread, with fixation for guide tubes
1	GM11013440	Interstitial ovoid pair for 25 mm spread, with fixation for guide tubes
1	GM11013450	Interstitial ovoid pair for 30 mm spread, with fixation for guide tubes
**	GM11010750	Plastic needle with mandrin, 2.0 mm diameter, length 320 mm, blunt tip
**	GM11007580	Plastic needle with mandrin, 2.0 mm diameter, length 320 mm
<b>Required and Recommended Accessories for Interstitial Use, BRAVOS (if not already purchased)</b>		
**	GM11010800	Transfer guide tube for 320 mm applicators
**	GM11010870	Transfer guide tube, 1000 mm length for applicators (for non-standard treatment length)
1	GM11010510	Leak stop channel marker set, 1-12
1	GM11010520	Leak stop channel marker set, 13-24
<b>Required and Recommended Accessories for Interstitial Use, GammaMedplus Series (if not already purchased)</b>		
**	GM11003400	Source guide tube with locking mechanism for 320 mm applicators, GammaMed $plus$
1	GM11010510	Leak stop channel marker set, 1-12
1	GM11010520	Leak stop channel marker set, 13-24
<b>Required and Recommended Accessories, VariSource Series (if not already purchased)</b>		
Refer to the Instruction For Use (IFU) for GM11006200		
<b>Optional Components for Interstitial Ovoid Use</b>		
**	GM11003270	Mandrin for 200 mm length
1	GM11012340	Needle box
1	GM11009620	X-ray marker BV set I, up to 320 mm applicators, coded 01 – 06
1	GM11009630	X-ray marker BV set I, up to 320 mm applicators, coded 07 – 12
**	GM11010760	Source guide tube light with locking mechanism for 320 mm needles, GammaMed $plus$

\*Quantity included with the kit. Quantity associated with each part number is one (1) unless otherwise indicated in the product description.

\*\*Choose desired quantity - one per channel

# Intracavitary / Interstitial System

CT Compatible / MR Compatibility: Safe

**Intended for:** HDR or PDR brachytherapy of the uterus, cervix, and vagina

**Afterloader:** BRAVOS™ / GammaMedplus™ Series / VariSource™ Series



The Intracavitary / Interstitial System allows for needle guide tubes to be connected to components of intracavitary applicators (e.g.: ovoids from a tandem and ovoids applicator). The guide tubes guide needles from outside the patient to the intracavitary applicator component after the intracavitary applicator is inserted into the patient. A locking collet exists on the guide tube to fix the needle insertion depth during imaging and treatment.

- Suitable for treating body sites allowing insertion of a catheter
- CT Compatible / MR Compatibility: Safe
- Fits 2 mm diameter plastic needles
- Locking collet fixes needle insertion depth

Qty.*	Product #	Available Component
**	GM11013410	Guide tube for ø 2.0 mm needles
<b>Required Accessories</b>		
**	GM11007580	Plastic needle with mandrin, ø 2.0 mm, 320 mm length, sharp tip
**	GM11010750	Plastic needle with mandrin, ø 2.0 mm, 320 mm length, blunt tip
**	GM11003270	Mandrin for 200 mm length needle
1	GM11010510	Leak Stop Channel Marker Set, 1-12
<b>Optional Components and Accessories</b>		
1	GM11009620	X-ray marker BV set I, up to 320 mm applicators, coded 01-06
1	GM11009630	X-ray marker BV set II, up to 320 mm applicators, coded 07-12

*\*Quantity included with the kit. Quantity associated with each part number is one (1) unless otherwise indicated in the product description.*

*\*\*Choose desired quantity - one per channel.*

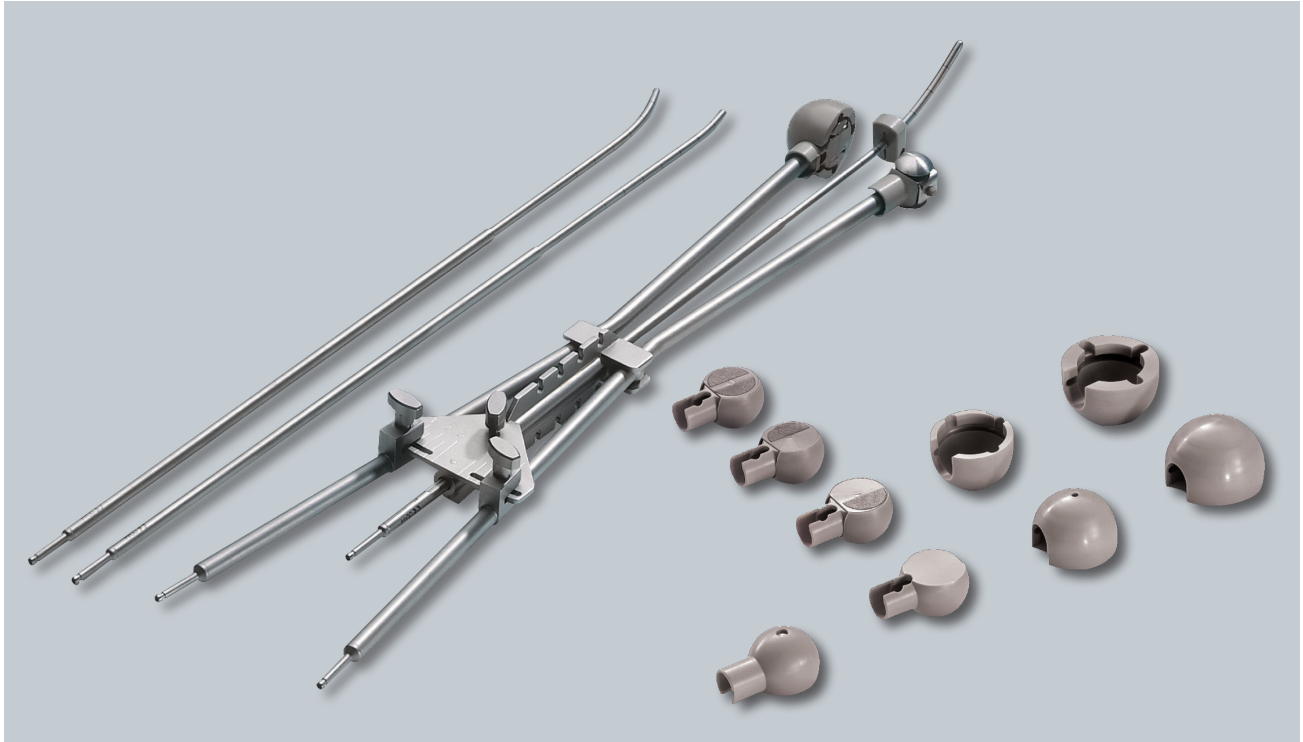


# Manchester-Style Applicator Set - Flexible Geometry

**GM11006940**

**Intended for:** HDR intracavitary brachytherapy of the uterus, cervix, endometrium and vagina

**Afterloader:** BRAVOS™ / GammaMedplus™ Series



The Manchester-Style Applicator Set reproduces the dosimetry of the conventional Manchester-Style applicator. The ovoid design allows for tungsten shielding of the top and bottom for dose reduction to the rectum and/or bladder. The three intrauterine probes are curved 15°, 30° or 45° relative to the vaginal axis. The intrauterine probes have a 3 mm outer diameter to allow for easy insertion and a cervical stopper to reduce the risk of perforation. An optional rectal retractor allows for rectal dose reduction and the use of forceps which can be easily attached to the central clamping mechanism.

- Suitable for uterus, cervix, endometrium and vagina
- Reproduces applicator geometry of Manchester-Style applicators
- Multiple diameters of ovoid pairs allow for easy adaptation to patient anatomy and more flexible dose shaping
- Ovoid pairs accept tungsten shielding pieces to enable specific shielding above and below ovoids
- Probes with 3 mm diameter intrauterine tandem allow for easy insertion into cervical channel, helping provide maximum patient comfort
- Straight colpostats allow for placement in smaller vaginal vaults
- Optional rectal retractor available
- Optional clamping mechanism available
- Steam sterilizable

Qty.*	Product #	Components of the Applicator Set
1	GM11006870	Manchester-Style colpostat probe, left
1	GM11006880	Manchester-Style colpostat probe, right
1	GM11004450	Intrauterine probe, 15° curved, for three channel applicator
1	GM11000740	Intrauterine probe, 30° curved, for three channel applicator
1	GM11000750	Intrauterine probe, 45° curved, for three channel applicator
1	GM11000670	Cervical stopper
2	GM11008110	Manchester-Style ovoid, 20 mm, without shielding
2	GM11008060	Manchester-Style ovoid, 20 mm, double shielded
1	GM11008070	Manchester-Style ovoid, 20 mm, unilateral shielded top
1	GM11008080	Manchester-Style ovoid, 20 mm, unilateral shielded bottom
2	GM11008090	Manchester-Style ovoid cap, 25 mm outer diameter
2	GM11008100	Manchester-Style ovoid cap, 30 mm outer diameter
1	GM11000860	Central clamping mechanism
1	GM11007640	Disassembly pin for removal of ovoid caps
1	GM11002370	Allen wrench, 2.5 mm, autoclavable
4	GM11010770	Cleaning caps, dark blue (pack of 25)
1	GM11003810	Leak stop buttons, non-sterile, pack of 50
<b>Required and Recommended Accessories, BRAVOS (if not already purchased)</b>		
1	GM11010810	Coded transfer guide tube channel 1, for 320 mm applicators
1	GM11010820	Coded transfer guide tube channel 2, for 320 mm applicators
1	GM11010830	Coded transfer guide tube channel 3, for 320 mm applicators
**	GM11010800	Transfer guide tube for 320 mm applicators (alternative - uncoded)
**	GM11010870	Transfer guide tube, 1000 mm length for applicators (for non-standard treatment length)
1	GM11011800	Length assessment device
3	GM11009600	X-ray marker BV, up to 320 mm applicators, uncoded
<b>Required and Recommended Accessories, GammaMed<i>plus</i> Series (if not already purchased)</b>		
3	GM11000340	Source guide tube with locking mechanism for 320 mm applicators, GammaMed <i>plus</i>
1	GM11000330	Length gauge, GammaMed <i>plus</i>
3	GM11009600	X-ray marker BV, up to 320 mm applicators, uncoded

Optional Components and Accessories		
1	GM11000840	Rectal retractor for three channel applicators
1	GM11008700	Universal applicator clamping device
1	GM11001390	Source guide tube support (Bravos and GammaMed $plus$ units only)
1	GM11007800	Intrauterine probe, straight, for 3 channel applicator
1	GM11007810	3 cm intrauterine probe angled 20°, for 3 chan. app.
1	GM11007820	4 cm intrauterine probe angled 20°, for 3 chan. app.
1	GM11007830	5 cm intrauterine probe angled 20°, for 3 chan. app.
1	GM11007840	6 cm intrauterine probe angled 20°, for 3 chan. app.
1	GM11007850	7 cm intrauterine probe angled 20°, for 3 chan. app.
1	GM11007860	8 cm intrauterine probe angled 20°, for 3 chan. app.
1	GM11007870	3 cm intrauterine probe angled 40°, for 3 chan. app.
1	GM11007880	4 cm intrauterine probe angled 40°, for 3 chan. app.
1	GM11007890	5 cm intrauterine probe angled 40°, for 3 chan. app.
1	GM11007900	6 cm intrauterine probe angled 40°, for 3 chan. app.
1	GM11007910	7 cm intrauterine probe angled 40°, for 3 chan. app.
1	GM11007920	8 cm intrauterine probe angled 40°, for 3 chan. app.
1	GM11000660	Flexible fixation for 3 channel applicators
1	GM11001930	Fixation strap, 500 mm/150 mm
1	GM11001940	Fixation strap, 1050 mm/350 mm
1	GM11001950	Fixation strap, 1700 mm/500 mm
1	AL13142000	Cervical sleeve, 20 mm length, single use
1	AL13142001	Cervical sleeve, 40 mm length, single use
1	AL13142002	Cervical sleeve, 60 mm length, single use
1	AL13142003	Cervical sleeve, 80 mm length, single use
1	GM11003220	Cleaning Caps, black (pack of 20)
1	GM11003330	Cleaning Caps, grey (pack of 20)
1	GM11010340	Universal sterilization box

*\*Quantity included with the kit. Quantity associated with each part number is one (1) unless otherwise indicated in the product description.*

*\*\*Choose desired quantity - one per channel.*



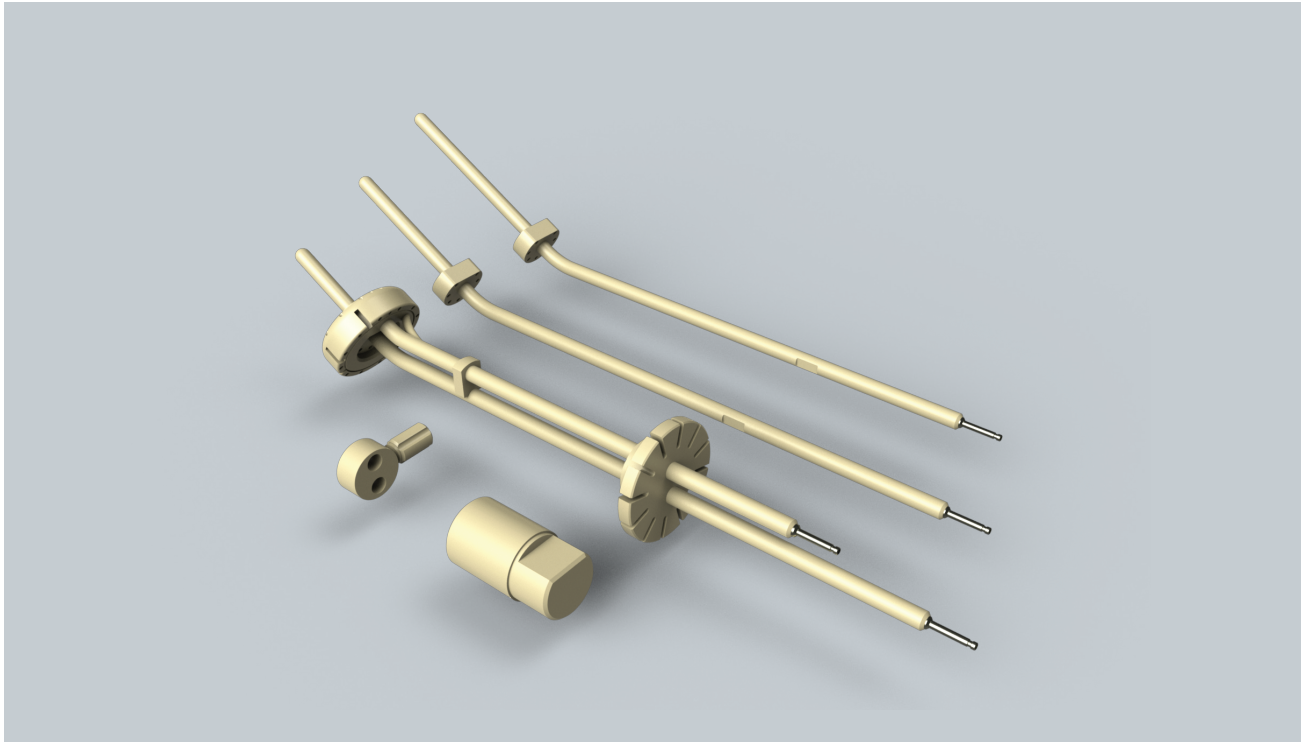
# 3D Interstitial Ring Applicator, 60° Set

## GM11010190

CT Compatible / MR Conditional: 1.5 and 3.0 Tesla

**Intended for:** HDR or PDR brachytherapy of the vagina, cervix, and uterus

**Afterloader:** BRAVOS™ / GammaMed*plus* iX™ / GammaMed*plus*™



The 3D Interstitial Ring Applicator, 60° Set is used for cancer treatment of the vagina, cervix, and uterus. Interstitial needle holes are provided in the ring cap (12 holes) as well as the intrauterine tandem stopper (7 holes) to allow for Image Guided Adaptive Brachytherapy (IGABT). The applicator can be used with cervical sleeves as optional accessories. Its plastic construction allows for minimal artifact in planning images. The set comes standard with 40 mm, 60 mm, and 80 mm intrauterine tandem lengths, and a 30 mm ring probe channel diameter. Optional intrauterine tandems lengths are available in 30 mm, 50 mm, and 70 mm.

- Suitable for treatment of the vagina, cervix, and uterus
- CT Compatible
- MR Compatibility: Conditional for 1.5 and 3 Tesla
- Minimal assembly required
- Interstitial needles holes allow for placement of 2 mm plastic needles for IGABT
- Ring probe angle of 60° from vaginal axis
- Distance cap on ring increases the flexibility in dose fall-off
- Intrauterine tandem and ring probe are perpendicular to each other for conventional treatment planning.
- Steam sterilizable

Qty.*	Product #	Components of the Applicator Set
1	GM11010500	Ring probe 60°, 30 x 36 mm, for needle usage
1	GM11010660	Intrauterine tandem for 60° ring, 40 mm, with 7 needle holes
1	GM11010670	Intrauterine tandem for 60° ring, 60 mm, with 7 needle holes
1	GM11010680	Intrauterine tandem for 60° ring, 80 mm, with 7 needle holes
1	GM11001060	Centering joint for ring applicator with clamping screw
1	GM11010560	Ring cap with 12 needle holes, 42 mm diameter, for ring 30 x 36 mm
1	GM11010540	Needle collector
1	GM11010530	Disassembly pin for removal of ring cap
1	GM11003810	Leak stop buttons, non-sterile, pack of 50
4	GM11010770	Cleaning caps, dark blue (pack of 25)
<b>Required and Recommended Accessories, BRAVOS (if not already purchased)</b>		
1	GM11010810	Coded transfer guide tube channel 1, for 320 mm applicators
1	GM11010820	Coded transfer guide tube channel 2, for 320 mm applicators
**	GM11010800	Transfer guide tube for 320 mm applicators (alternative - uncoded)
**	GM11010870	Transfer guide tube, 1000 mm length for applicators (for non-standard treatment length and for needles)
**	GM11007580	Plastic needle with mandrin, ø 2.0 mm diameter, 320 mm length
**	GM11010750	Plastic needle with mandrin, ø 2.0 mm diameter, 320 mm length, blunt tip
1	GM11011800	Length assessment device
**	GM11009600	X-ray marker BV, up to 320 mm applicators, uncoded
1	GM11010510	Leak stop channel marker set, 1-12
<b>Required and Recommended Accessories, GammaMed<i>plus</i> Series (if not already purchased)</b>		
**	GM11000340	Source guide tube with locking mechanism for 320 mm applicators, GammaMed <i>plus</i>
**	GM11007580	Plastic needle with mandrin, ø 2.0 mm diameter, 320 mm length
**	GM11010750	Plastic needle with mandrin, ø 2.0 mm diameter, 320 mm length, blunt tip
1	GM11000330	Length gauge, GammaMed <i>plus</i>
**	GM11009600	X-ray marker BV, up to 320 mm applicators, uncoded
1	GM11010510	Leak stop channel marker set, 1-12

Optional Components and Accessories		
1	GM11010790	Guiding tube 60° ring with interstitial cervical stop for central needle insertion
1	GM11010690	Intrauterine tandem for 60° ring, 30 mm, with 7 needle holes
1	GM11010890	Intrauterine tandem for 60° ring, 50 mm, with 7 needle holes
1	GM11010900	Intrauterine tandem for 60° ring, 70 mm, with 7 needle holes
1	GM11010520	Leak stop channel marker set, 13-24
1	GM11011190	Ring cap without guide holes for 3D interstitial ring applicator
1	GM11010630	Cervical sleeve IU ø6.4 mm, 30 mm, without marker
1	GM11010570	Cervical sleeve IU ø6.4 mm, 40 mm, without marker
1	GM11010640	Cervical sleeve IU ø6.4 mm, 50 mm, without marker
1	GM11010580	Cervical sleeve IU ø6.4 mm, 60 mm, without marker
1	GM11010650	Cervical sleeve IU ø6.4 mm, 70 mm, without marker
1	GM11010590	Cervical sleeve IU ø6.4 mm, 80 mm, without marker
1	GM11011280	Cervical sleeve IU ø6.4 mm, 30 mm, with marker
1	GM11011290	Cervical sleeve IU ø6.4 mm, 40 mm, with marker
1	GM11011310	Cervical sleeve IU ø6.4 mm, 50 mm, with marker
1	GM11011380	Cervical sleeve IU ø6.4 mm, 60 mm, with marker
1	GM11011390	Cervical sleeve IU ø6.4 mm, 70 mm, with marker
1	GM11011450	Cervical sleeve IU ø6.4 mm, 80 mm, with marker
1	GM11006100	Bracket for ring applicator for flexible fixation mechanism for gynecological applicators
1	GM11001960	Flexible fixation mechanism for gynecological applicators
**	GM11010760	Source guide tube light with locking mechanism for 320 mm needles, GammaMed $plus$
1	GM11009630	X-ray marker BV set I, up to 320 mm applicators, 0.9 mm diameter, coded 7-12
1	GM11001390	Source guide tube support (Bravos and GammaMed $plus$ units only)
1	GM11008700	Universal applicator clamping device
1	GM11010340	Universal sterilization box
1	GM11012340	Needle Box (needle sterilization)
1	GM11009620	X-ray marker BV set I, up to 320 mm applicators, 0.9 mm diameter, coded 1-6
1	GM11003220	Cleaning Caps, black (pack of 20)
1	GM11003330	Cleaning Caps, grey (pack of 20)

*\*Quantity included with the kit. Quantity associated with each part number is one (1) unless otherwise indicated in the product description.*

*\*\*Choose desired quantity - one per channel.*





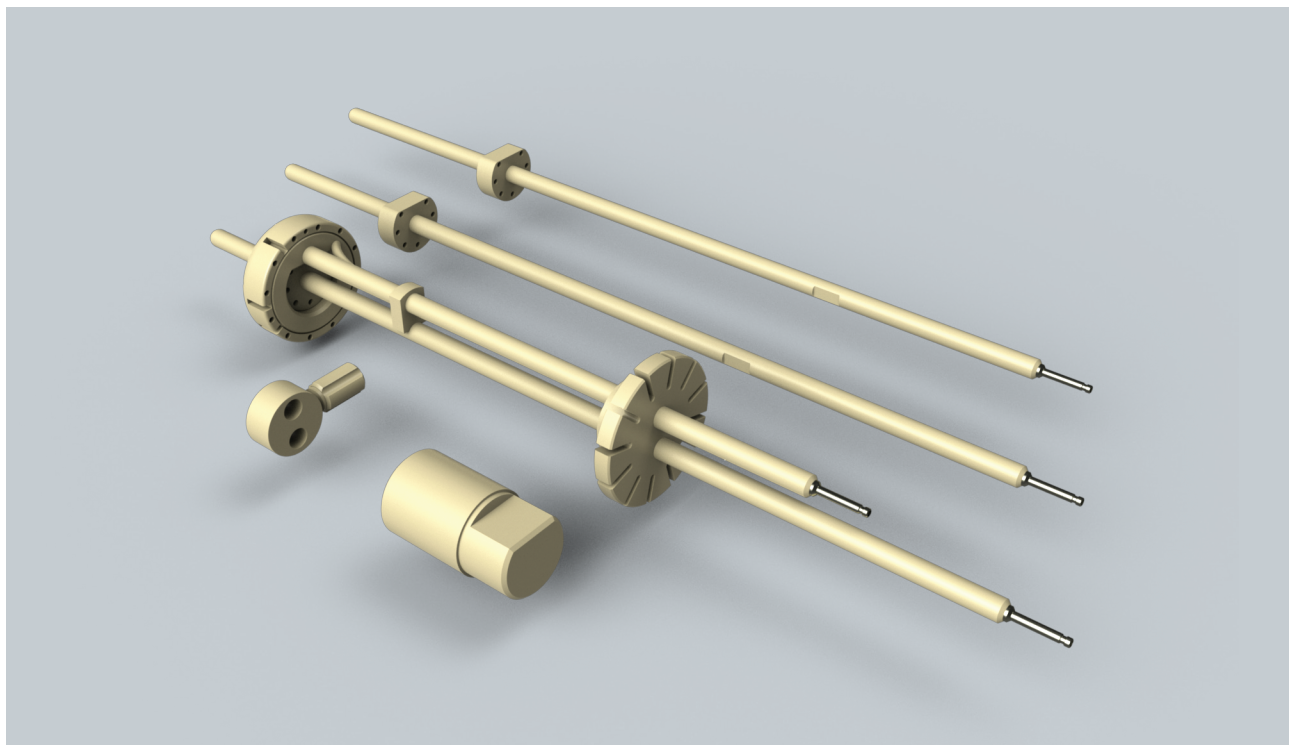
# 3D Interstitial Ring Applicator, 90° Set

## GM11010290

CT Compatible / MR Conditional: 1.5 and 3.0 Tesla

**Intended for:** HDR or PDR brachytherapy of the vagina, cervix, and uterus

**Afterloader:** BRAVOS™ / GammaMedplus™ Series



The 3D Interstitial Ring Applicator, 90° Set is used for cancer treatment of the vagina, cervix, and uterus. Interstitial needle holes are provided in the ring cap (12 holes) as well as the intrauterine tandem stopper (7 holes) to allow for Image Guided Adaptive Brachytherapy (IGABT). The applicator can be used with cervical sleeves as optional accessories. Its plastic construction allows for minimal artifact in planning images. The set comes standard with 40 mm, 60 mm, and 80 mm intrauterine tandem lengths, and a 30 mm ring probe channel diameter. Optional intrauterine tandems lengths are available in 30 mm, 50 mm, and 70 mm.

- Suitable for treatment of the vagina, cervix, and uterus
- CT Compatible / MR Conditional: 1.5 and 3.0 Tesla
- Minimal assembly required
- Interstitial needles holes allow for placement of 2 mm plastic needles for IGABT
- Ring probe angle of 90° from vaginal axis
- Distance cap on ring increases the flexibility in dose fall-off
- Intrauterine tandem and ring probe are perpendicular to each other for conventional treatment planning.
- Steam sterilizable

Qty.*	Product #	Components of the Applicator Set
1	GM11010600	Ring probe 90°, 30 x 36 mm, for needle usage
1	GM11010910	Intrauterine tandem for 90° ring, 40 mm, with 7 needle holes
1	GM11010920	Intrauterine tandem for 90° ring, 60 mm, with 7 needle holes
1	GM11010930	Intrauterine tandem for 90° ring, 80 mm, with 7 needle holes
1	GM11001060	Centering joint for ring applicator with clamping screw
1	GM11010560	Ring cap with 12 needle holes, 42 mm diameter, for ring 30 x 36 mm
1	GM11010540	Needle collector
1	GM11010530	Disassembly pin for removal of ring cap
1	GM11003810	Leak stop buttons, non-sterile, pack of 50
4	GM11010770	Cleaning caps, dark blue (pack of 25)
<b>Required and Recommended Accessories, BRAVOS (if not already purchased)</b>		
1	GM11010810	Coded transfer guide tube channel 1, for 320 mm applicators
1	GM11010820	Coded transfer guide tube channel 2, for 320 mm applicators
**	GM11010800	Transfer guide tube for 320 mm applicators (alternative - uncoded)
**	GM11010870	Transfer guide tube, 1000 mm length for applicators (for non-standard treatment length and for needles)
**	GM11007580	Plastic needle with mandrin, ø 2.0 mm diameter, 320 mm length
**	GM11010750	Plastic needle with mandrin, ø 2.0 mm diameter, 320 mm length, blunt tip
1	GM11011800	Length assessment device
**	GM11009600	X-ray marker BV, up to 320 mm applicators, uncoded
1	GM11010510	Leak stop channel marker set, 1-12
<b>Required and Recommended Accessories, GammaMed<i>plus</i> Series (if not already purchased)</b>		
2	GM11000340	Source guide tube with locking mechanism for 320 mm applicators, GammaMed <i>plus</i>
**	GM11007580	Plastic needle with mandrin, ø 2.0 mm diameter, 320 mm length
**	GM11010750	Plastic needle with mandrin, ø 2.0 mm diameter, 320 mm length, blunt tip
1	GM11000330	Length gauge, GammaMed <i>plus</i>
**	GM11009600	X-ray marker BV, up to 320 mm applicators, uncoded
1	GM11010510	Leak stop channel marker set, 1-12

Optional Components and Accessories		
1	GM11010970	Guiding tube 90° ring with interstitial cervical stop for central needle insertion
1	GM11010940	Intrauterine tandem for 90° ring, 30 mm, with 7 needle holes
1	GM11010950	Intrauterine tandem for 90° ring, 50 mm, with 7 needle holes
1	GM11010960	Intrauterine tandem for 90° ring, 70 mm, with 7 needle holes
1	GM11010520	Leak stop channel marker set, 13-24
1	GM11011190	Ring cap without guide holes for 3D interstitial ring applicator
1	GM11010630	Cervical sleeve IU ø6.4 mm, 30 mm, without marker
1	GM11010570	Cervical sleeve IU ø6.4 mm, 40 mm, without marker
1	GM11010640	Cervical sleeve IU ø6.4 mm, 50 mm, without marker
1	GM11010580	Cervical sleeve IU ø6.4 mm, 60 mm, without marker
1	GM11010650	Cervical sleeve IU ø6.4 mm, 70 mm, without marker
1	GM11010590	Cervical sleeve IU ø6.4 mm, 80 mm, without marker
1	GM11011280	Cervical sleeve IU ø6.4 mm, 30 mm, with marker
1	GM11011290	Cervical sleeve IU ø6.4 mm, 40 mm, with marker
1	GM11011310	Cervical sleeve IU ø6.4 mm, 50 mm, with marker
1	GM11011380	Cervical sleeve IU ø6.4 mm, 60 mm, with marker
1	GM11011390	Cervical sleeve IU ø6.4 mm, 70 mm, with marker
1	GM11011450	Cervical sleeve IU ø6.4 mm, 80 mm, with marker
1	GM11001960	Flexible fixation mechanism for gynecological applicators
**	GM11010760	Source guide tube light with locking mechanism for 320 mm needles, GammaMed $plus$
1	GM11009620	X-ray marker BV set I, up to 320 mm applicators, 0.9 mm diameter, coded 1-6
1	GM11009630	X-ray marker BV set I, up to 320 mm applicators, 0.9 mm diameter, coded 7-12
1	GM11001390	Source guide tube support (Bravos and GammaMed $plus$ units only)
1	GM11008700	Universal applicator clamping device
1	GM11010340	Universal sterilization box
1	GM11012340	Needle Box (needle sterilization)
1	GM11006100	Bracket for ring applicator for flexible fixation mechanism for gynecological applicators
1	GM11003220	Cleaning Caps, black (pack of 20)
1	GM11003330	Cleaning Caps, grey (pack of 20)

*\*Quantity included with the kit. Quantity associated with each part number is one (1) unless otherwise indicated in the product description.*

*\*\*Choose desired quantity - one per channel.*



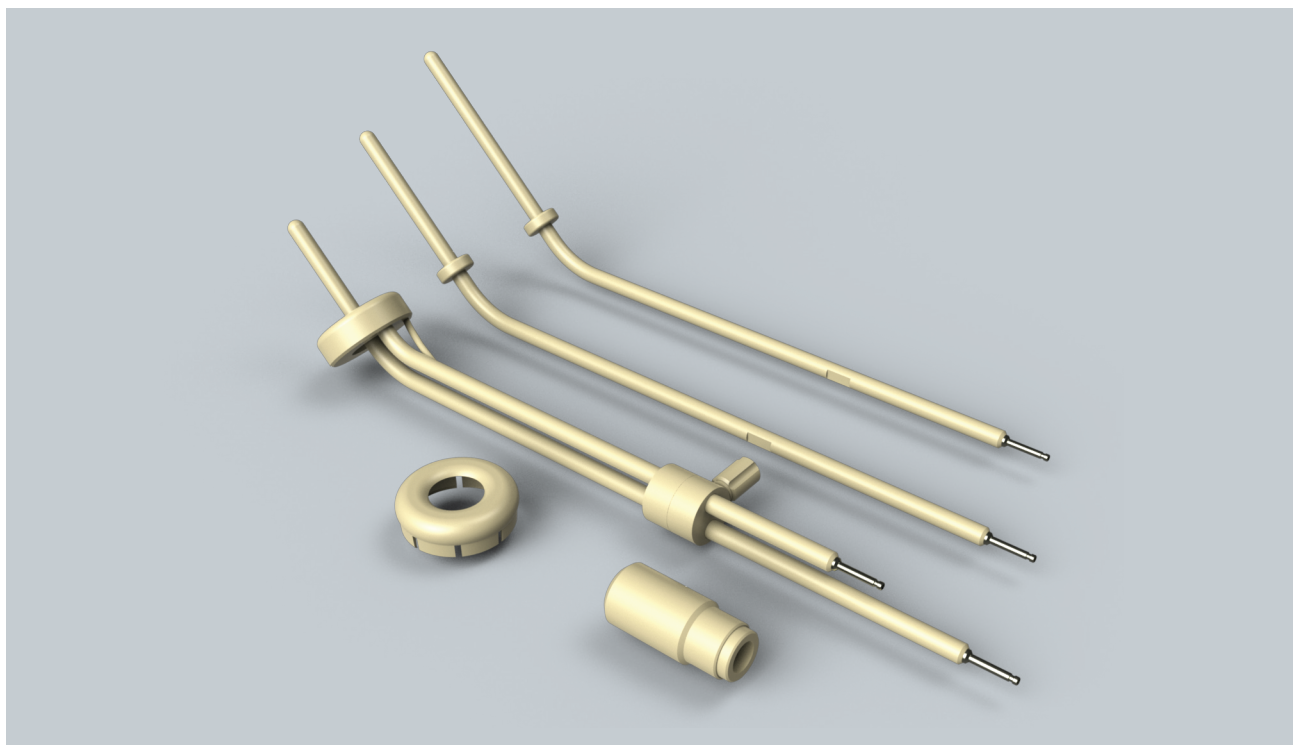
# Ring Applicator, 45° Set

## GM11010490

CT Compatible / MR Conditional: 1.5 and 3.0 Tesla

**Intended for:** HDR or PDR brachytherapy of the vagina, cervix, and uterus

**Afterloader:** BRAVOS™ / GammaMed*plus*™ Series



The Ring Applicator, 45° Set is used for cancer treatment of the vagina, cervix, and uterus. The applicator can be used with cervical sleeves as optional accessories. Its plastic construction allows for minimal artifact in planning images. The set comes standard with 40 mm, 60 mm, and 80 mm intrauterine tandem lengths, and a 30 mm ring probe channel diameter. Optional intrauterine tandems lengths are available in 30 mm, 50 mm, and 70 mm. An optional smaller ring probe is available for patients with smaller vaginal fornices.

- Suitable for treatment of the vagina, cervix, and uterus
- CT Compatible / MR Conditional: 1.5 and 3.0 Tesla
- Minimal assembly required
- Ring probe angle of 45° from vaginal axis
- Distance cap on ring increases the flexibility in dose fall-off
- Intrauterine tandem and ring probe are perpendicular to each other for conventional treatment planning.
- Optional 26 mm ring probe available to accommodate smaller anatomy
- Steam sterilizable

Qty.*	Product #	Components of the Applicator Set
1	GM11001240	Ring probe 45°, 30 x 36 mm
1	GM11010990	Intrauterine tandem for 45° ring, 40 mm
1	GM11011010	Intrauterine tandem for 45° ring, 60 mm
1	GM11011030	Intrauterine tandem for 45° ring, 80 mm
1	GM11001060	Centering joint for ring applicator with clamping screw
1	GM11000360	Distance cap ø 40 mm for ring ø 30 x 36 mm
1	GM11007390	Disassembly pin for removal of ring cap
1	GM11003810	Leak stop buttons, non-sterile, pack of 50
4	GM11010770	Cleaning caps, dark blue (pack of 25)
<b>Required and Recommended Accessories, BRAVOS (if not already purchased)</b>		
1	GM11010810	Coded transfer guide tube channel 1, for 320 mm applicators
1	GM11010820	Coded transfer guide tube channel 2, for 320 mm applicators
**	GM11010800	Transfer guide tube for 320 mm applicators (alternative - uncoded)
**	GM11010870	Transfer guide tube, 1000 mm length for applicators (for non-standard treatment length)
1	GM11011800	Length assessment device
2	GM11009600	X-ray marker BV, up to 320 mm applicators, uncoded
<b>Required and Recommended Accessories, GammaMedplus Series (if not already purchased)</b>		
1	GM11000330	Length gauge, GammaMedplus
2	GM11009600	X-ray marker BV, up to 320 mm applicators, uncoded
2	GM11000340	Source guide tube with locking mechanism for 320 mm applicators, GammaMedplus
<b>Optional Components and Accessories</b>		
1	GM11001230	Ring probe 45°, 26 x 32 mm
1	GM11001080	Distance cap ø 36 mm for ring ø 26 x 32 mm
1	GM11010980	Intrauterine tandem for 45° ring, 30 mm
1	GM11011000	Intrauterine tandem for 45° ring, 50 mm
1	GM11011020	Intrauterine tandem for 45° ring, 70 mm
1	GM11010510	Leak stop channel marker set, 1-12
1	GM11010630	Cervical sleeve IU ø6.4 mm, 30 mm, without marker
1	GM11010570	Cervical sleeve IU ø6.4 mm, 40 mm, without marker
1	GM11010640	Cervical sleeve IU ø6.4 mm, 50 mm, without marker
1	GM11010580	Cervical sleeve IU ø6.4 mm, 60 mm, without marker
1	GM11010650	Cervical sleeve IU ø6.4 mm, 70 mm, without marker
1	GM11010590	Cervical sleeve IU ø6.4 mm, 80 mm, without marker
1	GM11011280	Cervical sleeve IU ø6.4 mm, 30 mm, with marker
1	GM11011290	Cervical sleeve IU ø6.4 mm, 40 mm, with marker
1	GM11011310	Cervical sleeve IU ø6.4 mm, 50 mm, with marker
1	GM11011380	Cervical sleeve IU ø6.4 mm, 60 mm, with marker
1	GM11011390	Cervical sleeve IU ø6.4 mm, 70 mm, with marker
1	GM11011450	Cervical sleeve IU ø6.4 mm, 80 mm, with marker
1	GM11010340	Universal sterilization box
1	GM11006100	Bracket for ring applicator for flexible fixation mechanism for gynecological applicators
1	GM11001960	Flexible fixation mechanism for gynecological applicators
1	GM11001390	Source guide tube support (Bravos and GammaMedplus units only)
1	GM11008700	Universal applicator clamping device
1	GM11003220	Cleaning Caps, black (pack of 20)
1	GM11003330	Cleaning Caps, grey (pack of 20)

\*\*Quantity included with the kit. Quantity associated with each part number is one (1) unless otherwise indicated in the product description.

\*\*Choose desired quantity - one per channel.

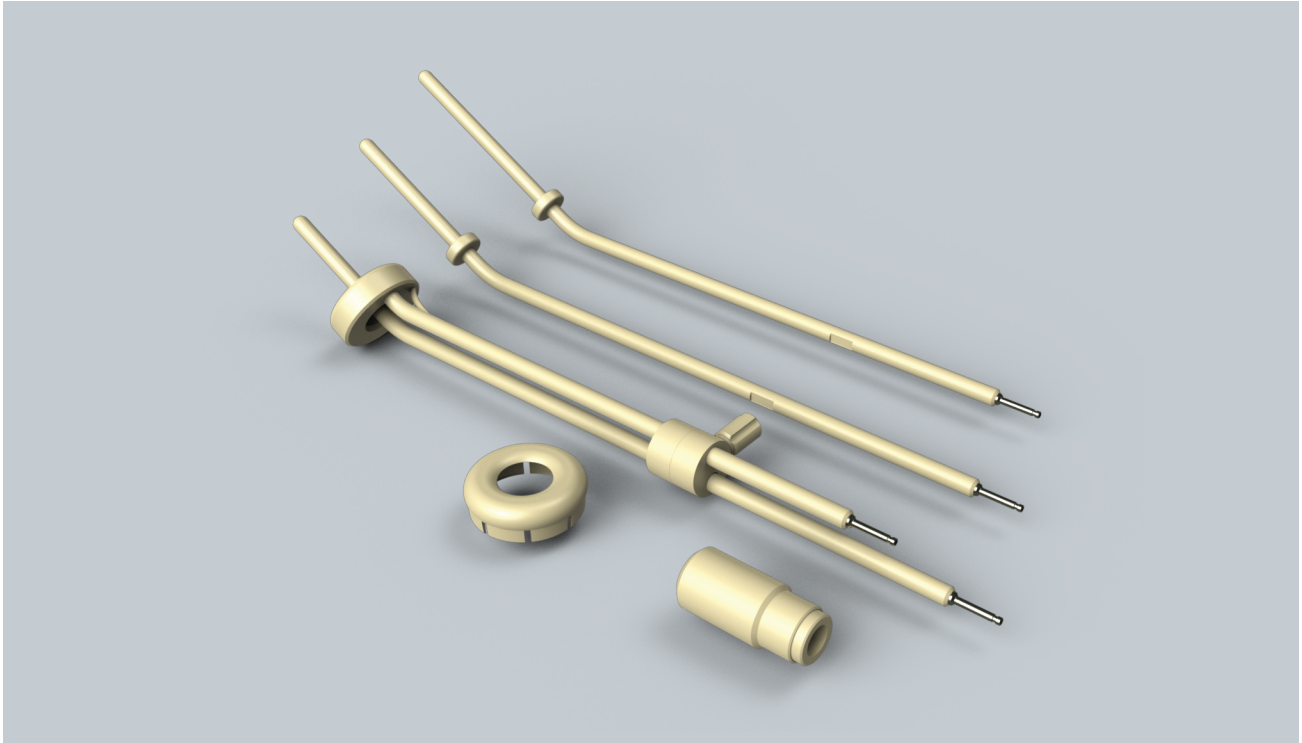
# Ring Applicator, 60° Set

## GM11011040

CT Compatible / MR Conditional: 1.5 and 3.0 Tesla

**Intended for:** HDR or PDR brachytherapy of the vagina, cervix, and uterus

**Afterloader:** BRAVOS™ / GammaMedplus™ Series



The Ring Applicator, 60° Set is used for cancer treatment of the vagina, cervix, and uterus. The applicator can be used with cervical sleeves as optional accessories. Its plastic construction allows for minimal artifact in planning images. The set comes standard with 40 mm, 60 mm, and 80 mm intrauterine tandem lengths, and a 30 mm ring probe channel diameter. Optional intrauterine tandems lengths are available in 30 mm, 50 mm, and 70 mm. An optional smaller ring probe is available for patients with smaller vaginal fornices.

- Suitable for treatment of the vagina, cervix, and uterus
- CT Compatible / MR Conditional: 1.5 and 3.0 Tesla
- Minimal assembly required
- Ring probe angle of 60° from vaginal axis
- Distance cap on ring increases the flexibility in dose fall-off
- Intrauterine tandem and ring probe are perpendicular to each other for conventional treatment planning.
- Optional 26 mm ring probe available to accommodate smaller anatomy
- Steam sterilizable

Qty.*	Product #	Components of the Applicator Set
1	GM11000280	Ring probe 60°, 30 x 36 mm
1	GM11011230	Intrauterine tandem for 60° ring, 40 mm
1	GM11011250	Intrauterine tandem for 60° ring, 60 mm
1	GM11011270	Intrauterine tandem for 60° ring, 80 mm
1	GM11001060	Centering joint for ring applicator with clamping screw
1	GM11000360	Distance cap ø 40 mm for ring ø 30 x 36 mm
1	GM11007390	Disassembly pin for removal of ring cap
1	GM11003810	Leak stop buttons, non-sterile, pack of 50
4	GM11010770	Cleaning caps, dark blue (pack of 25)
<b>Required and Recommended Accessories, BRAVOS (if not already purchased)</b>		
1	GM11010810	Coded transfer guide tube channel 1, for 320 mm applicators
1	GM11010820	Coded transfer guide tube channel 2, for 320 mm applicators
**	GM11010800	Transfer guide tube for 320 mm applicators (alternative - uncoded)
**	GM11010870	Transfer guide tube, 1000 mm length for applicators (for non-standard treatment length)
1	GM11011800	Length assessment device
2	GM11009600	X-ray marker BV, up to 320 mm applicators, uncoded
<b>Required Accessories, GammaMed<math>plus</math> Series</b>		
1	GM11000330	Length gauge, GammaMed $plus$
2	GM11009600	X-ray marker BV, up to 320 mm applicators, uncoded
2	GM11000340	Source guide tube with locking mechanism for 320 mm applicators, GammaMed $plus$
<b>Optional Components and Accessories</b>		
1	GM11000290	Ring probe 60°, 26 x 32 mm
1	GM11001080	Distance cap ø 36 mm for ring ø 26 x 32 mm
1	GM11011220	Intrauterine tandem for 60° ring, 30 mm
1	GM11011240	Intrauterine tandem for 60° ring, 50 mm
1	GM11011260	Intrauterine tandem for 60° ring, 70 mm
1	GM11013800	Aarhus Applicator Set
1	GM11010510	Leak stop channel marker set, 1-12
1	GM11010630	Cervical sleeve IU ø6.4 mm, 30 mm, without marker
1	GM11010570	Cervical sleeve IU ø6.4 mm, 40 mm, without marker
1	GM11010640	Cervical sleeve IU ø6.4 mm, 50 mm, without marker
1	GM11010580	Cervical sleeve IU ø6.4 mm, 60 mm, without marker
1	GM11010650	Cervical sleeve IU ø6.4 mm, 70 mm, without marker
1	GM11010590	Cervical sleeve IU ø6.4 mm, 80 mm, without marker
1	GM11011280	Cervical sleeve IU ø6.4 mm, 30 mm, with marker
1	GM11011290	Cervical sleeve IU ø6.4 mm, 40 mm, with marker
1	GM11011310	Cervical sleeve IU ø6.4 mm, 50 mm, with marker
1	GM11011380	Cervical sleeve IU ø6.4 mm, 60 mm, with marker
1	GM11011390	Cervical sleeve IU ø6.4 mm, 70 mm, with marker
1	GM11011450	Cervical sleeve IU ø6.4 mm, 80 mm, with marker
1	GM11010340	Universal sterilization box
1	GM11006100	Bracket for ring applicator for flexible fixation mechanism for gynecological applicators
1	GM11001960	Flexible fixation mechanism for gynecological applicators
1	GM11001390	Source guide tube support (Bravos and GammaMed $plus$ units only)
1	GM11008700	Universal applicator clamping device
1	GM11003220	Cleaning Caps, black (pack of 20)
1	GM11003330	Cleaning Caps, grey (pack of 20)

\*Quantity included with the kit. Quantity associated with each part number is one (1) unless otherwise indicated in the product description. \*\*Choose desired quantity - one per channel.



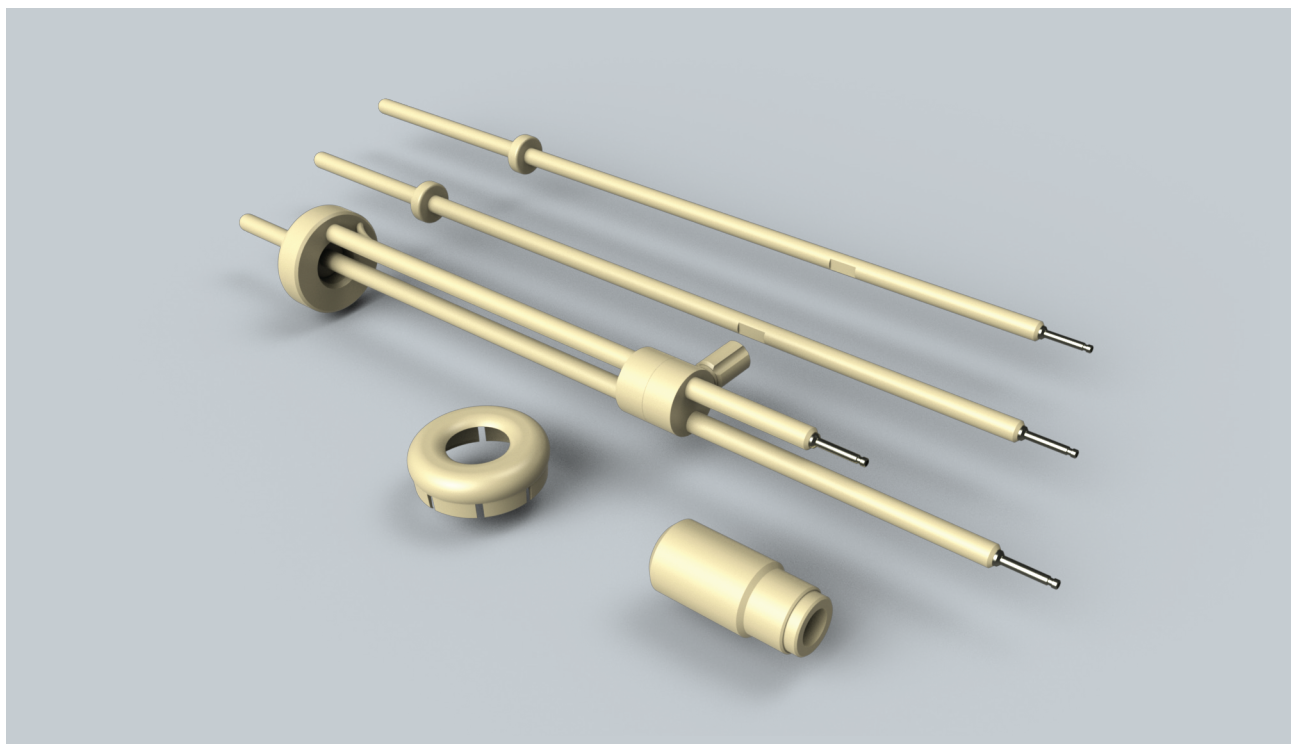
# Ring Applicator, 90° Set

## GM11011210

CT Compatible / MR Conditional: 1.5 and 3.0 Tesla

**Intended for:** HDR or PDR brachytherapy of the vagina, cervix, and uterus

**Afterloader:** BRAVOS™ / GammaMedplus™ Series



The Ring Applicator, 90° Set is used for cancer treatment of the vagina, cervix, and uterus. The applicator can be used with cervical sleeves as optional accessories. Its plastic construction allows for minimal artifact in planning images. The set comes standard with 40 mm, 60 mm, and 80 mm intrauterine tandem lengths, and a 30 mm ring probe channel diameter. Optional intrauterine tandems lengths are available in 30 mm, 50 mm, and 70 mm. An optional smaller ring probe is available for patients with smaller vaginal fornices.

- Suitable for treatment of the vagina, cervix, and uterus
- CT Compatible / MR Conditional: 1.5 and 3.0 Tesla
- Minimal assembly required
- Ring probe angle of 90° from vaginal axis
- Distance cap on ring increases the flexibility in dose fall-off
- Intrauterine tandem and ring probe are perpendicular to each other for conventional treatment planning.
- Optional 26 mm ring probe available to accommodate smaller anatomy
- Steam sterilizable

Qty.*	Product #	Components of the Applicator Set
1	GM11000220	Ring probe 90°, 30 x 36 mm
1	GM11011330	Intrauterine tandem for 90° ring, 40 mm
1	GM11011350	Intrauterine tandem for 90° ring, 60 mm
1	GM11011370	Intrauterine tandem for 90° ring, 80 mm
1	GM11001060	Centering joint for ring applicator with clamping screw
1	GM11000360	Distance cap ø 40 mm for ring ø 30 x 36 mm
1	GM11007390	Disassembly pin for removal of ring cap
1	GM11003810	Leak stop buttons, non-sterile, pack of 50
4	GM11010770	Cleaning caps, dark blue (pack of 25)
<b>Required and Recommended Accessories, BRAVOS (if not already purchased)</b>		
1	GM11010810	Coded transfer guide tube channel 1, for 320 mm applicators
1	GM11010820	Coded transfer guide tube channel 2, for 320 mm applicators
**	GM11010800	Transfer guide tube for 320 mm applicators (alternative - uncoded)
**	GM11010870	Transfer guide tube, 1000 mm length for applicators (for non-standard treatment length)
1	GM11011800	Length assessment device
2	GM11009600	X-ray marker BV, up to 320 mm applicators, uncoded
<b>Required and Recommended Accessories, GammaMed<math>plus</math> Series (if not already purchased)</b>		
2	GM11000340	Source guide tube with locking mechanism for 320 mm applicators, GammaMed $plus$
2	GM11009600	X-ray marker BV, up to 320 mm applicators, uncoded
1	GM11000330	Length gauge, GammaMed $plus$
<b>Optional Components and Accessories</b>		
1	GM11000230	Ring probe 90°, 26 x 32 mm
1	GM11001080	Distance cap ø 36 mm for ring ø 26 x 32 mm
1	GM11011320	Intrauterine tandem for 90° ring, 30 mm
1	GM11011340	Intrauterine tandem for 90° ring, 50 mm
1	GM11011360	Intrauterine tandem for 90° ring, 70 mm
1	GM11010510	Leak stop channel marker set, 1-12
1	GM11010630	Cervical sleeve IU ø6.4 mm, 30 mm, without marker
1	GM11010570	Cervical sleeve IU ø6.4 mm, 40 mm, without marker
1	GM11010640	Cervical sleeve IU ø6.4 mm, 50 mm, without marker
1	GM11010580	Cervical sleeve IU ø6.4 mm, 60 mm, without marker
1	GM11010650	Cervical sleeve IU ø6.4 mm, 70 mm, without marker
1	GM11010590	Cervical sleeve IU ø6.4 mm, 80 mm, without marker
1	GM11011280	Cervical sleeve IU ø6.4 mm, 30 mm, with marker
1	GM11011290	Cervical sleeve IU ø6.4 mm, 40 mm, with marker
1	GM11011310	Cervical sleeve IU ø6.4 mm, 50 mm, with marker
1	GM11011380	Cervical sleeve IU ø6.4 mm, 60 mm, with marker
1	GM11011390	Cervical sleeve IU ø6.4 mm, 70 mm, with marker
1	GM11011450	Cervical sleeve IU ø6.4 mm, 80 mm, with marker
1	GM11010340	Universal sterilization box
1	GM11006100	Bracket for ring applicator for flexible fixation mechanism for gynecological applicators
1	GM11001960	Flexible fixation mechanism for gynecological applicators
1	GM11001390	Source guide tube support (Bravos and GammaMed $plus$ units only)
1	GM11008700	Universal applicator clamping device
1	GM11003220	Cleaning Caps, black (pack of 20)
1	GM11003330	Cleaning Caps, grey (pack of 20)

\*\*Quantity included with the kit. Quantity associated with each part number is one (1) unless otherwise indicated in the product description.

\*\*Choose desired quantity - one per channel.

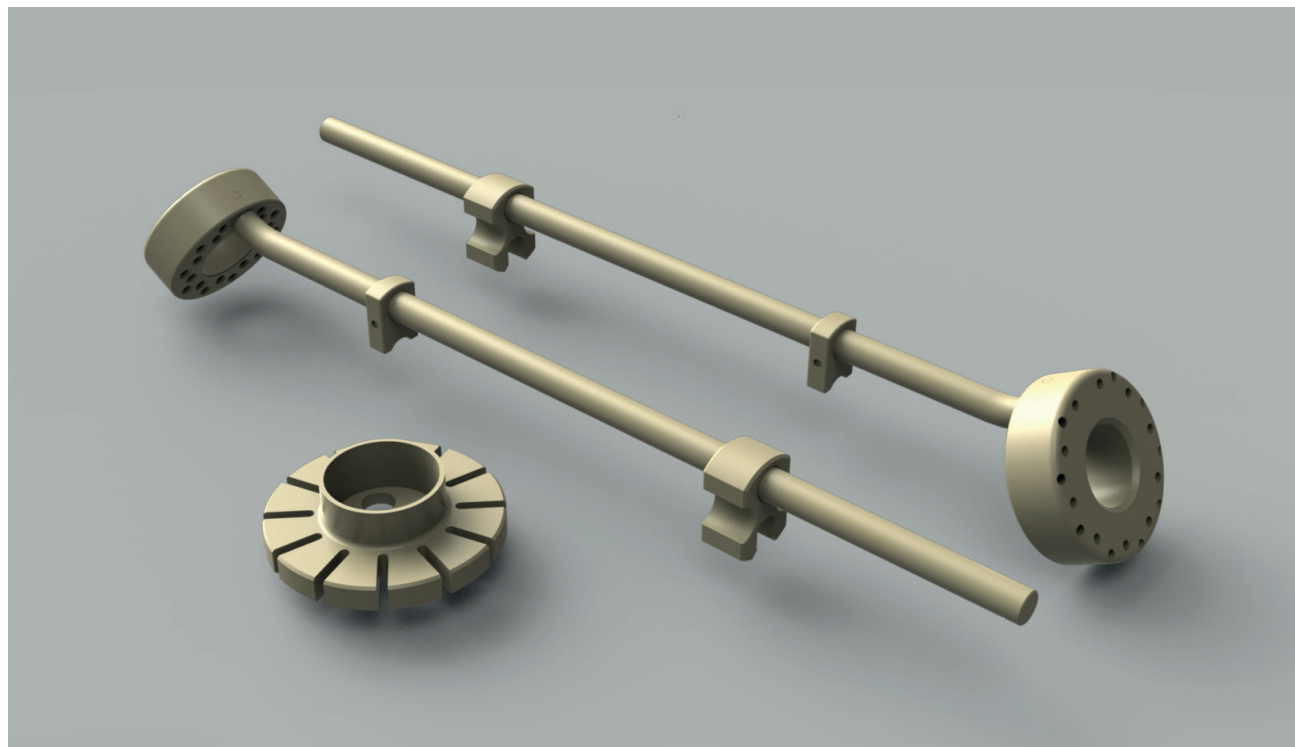
# Aarhus Applicator Set

## GM11013800

CT Compatible / MR Conditional: 1.5 and 3.0 Tesla

**Intended for:** HDR or PDR brachytherapy of the vagina, cervix, and uterus

**Afterloader:** BRAVOS™ / GammaMedplus™ Series / VariSource™ Series



The Aarhus Applicator Set consists of a needle collector and two intra-vaginal templates with similar geometry to a Ring Applicator (but without a ring channel). The templates work in conjunction with the intrauterine tandems from the Ring Applicator Set, 60°. The templates allow for 2 mm plastic needles to be inserted beyond the template into the uterus. There are 10 parallel holes and 9 oblique needles holes per template.

- Suitable for treatment of the vagina, cervix, and uterus
- CT Compatible / MR Conditional: 1.5 and 3.0 Tesla
- Two template diameters: 32 mm and 36 mm
- Steam sterilizable

Qty.*	Product #	Applicator Variations
1	GM11013810	Aarhus vaginal template 60°, ø 32 mm
1	GM11013820	Aarhus vaginal template 60°, ø 36 mm
1	GM11010540	Needle collector
<b>Required and recommended Accessories for all Afterloader types (if not already purchase)</b>		
1	GM11011220	Intrauterine tandem for 60° ring, 30 mm
1	GM11011230	Intrauterine tandem for 60° ring, 40 mm
1	GM11011240	Intrauterine tandem for 60° ring, 50 mm
1	GM11011250	Intrauterine tandem for 60° ring, 60 mm
1	GM11011260	Intrauterine tandem for 60° ring, 70 mm
1	GM11011270	Intrauterine tandem for 60° ring, 80 mm
1	GM11010510	Leak stop channel marker set, 1-12
1	GM11010520	Leak stop channel marker set, 13-24
1	GM11010770	Cleaning caps, dark blue (pack of 25)
**	GM11007580	Plastic needle with mandrin, ø 2.0 mm, length 320 mm
**	GM11010750	Plastic needle with mandrin, ø 2.0 mm, length 320 mm, blunt tip
1	GM11009600	X-ray marker BV, up to 320 mm applicators, uncoded
<b>Required and Recommended Accessories, BRAVOS (if not already purchased)</b>		
1	GM11010810	Coded transfer guide tube channel 1, for 320 mm applicators (for the tandem)
**	GM11010800	Transfer guide tube for 320 mm applicators (alternative - uncoded)
**	GM11010870	Transfer guide tube, 1000 mm length for applicators (for non-standard treatment length and for needles)
1	GM11011800	Length assessment device
<b>Required and Recommended Accessories, GammaMed<i>plus</i> Series (if not already purchased)</b>		
**	GM11000340	Source guide tube with locking mechanism for 320 mm applicators, GammaMed <i>plus</i>
1	GM11000330	Length gauge, GammaMed <i>plus</i>
<b>Required and Recommended Accessories, VariSource Series (if not already purchased)</b>		

Refer to the Instruction For Use (IFU) for GM11013800

Optional Accessories		
1	GM11011040	Ring Applicator, 60° Set
1	GM11010630	Cervical sleeve IU ø 6.4 mm, 30 mm, without marker
1	GM11010570	Cervical sleeve IU ø 6.4 mm, 40 mm, without marker
1	GM11010640	Cervical sleeve IU ø 6.4 mm, 50 mm, without marker
1	GM11010580	Cervical sleeve IU ø 6.4 mm, 60 mm, without marker
1	GM11010650	Cervical sleeve IU ø 6.4 mm, 70 mm, without marker
1	GM11010590	Cervical sleeve IU ø 6.4 mm, 80 mm, without marker
1	GM11011280	Cervical sleeve IU ø 6.4 mm, 30 mm, with marker
1	GM11011290	Cervical sleeve IU ø 6.4 mm, 40 mm, with marker
1	GM11011310	Cervical sleeve IU ø 6.4 mm, 50 mm, with marker
1	GM11011380	Cervical sleeve IU ø 6.4 mm, 60 mm, with marker
1	GM11011390	Cervical sleeve IU ø 6.4 mm, 70 mm, with marker
1	GM11011450	Cervical sleeve IU ø 6.4 mm, 80 mm, with marker
1	GM11009620	X-ray marker BV set I, up to 320 mm applicators, 0.9 mm diameter, coded 1-6
1	GM11009630	X-ray marker BV set I, up to 320 mm applicators, 0.9 mm diameter, coded 7-12
**	GM11010760	Source guide tube light with locking mechanism for 320 mm needles, GammaMed <i>plus</i>
1	GM11003810	Leak stop buttons, non-sterile, pack of 50
**	GM11009600	X-ray marker BV, up to 320 mm applicators, uncoded
1	GM11001960	Flexible fixation device for gynecological applicators
1	GM11016100	Bracket for ring applicator for flexible fixation device for gynecological applicators
1	GM11010340	Universal sterilization box
1	GM11012340	Needle Box (needle sterilization)
1	GM11003220	Cleaning Caps, black (pack of 20)
1	GM11003330	Cleaning Caps, grey (pack of 20)

*\*Quantity included with the kit. Quantity associated with each part number is one (1) unless otherwise indicated in the product description.*

*\*\*Choose desired quantity - one per channel.*



# Smit Cervical Sleeves

CT Compatible / MR Conditional: 1.5 and 3.0 Tesla

Afterloader: BRAVOS™ / GammaMedplus™ Series / VariSource™ Series



The optional Smit Cervical Sleeves help provide maximum patient comfort and allow easy multiple fraction application. Smit cervical sleeves also allow for repeated insertion and reduce the risk of perforation.

- Use with applicators to aid insertion of the uterine tandem
- CT Compatible / MR Conditional: 1.5 and 3.0 Tesla
- Simplifies insertion of the tandem and reduces risk of tandem perforation of the uterine wall
- May be sutured in place and left in situ for easy repeat treatments
- Sleeve position is easily identified and verified with the integral titanium marking
- Available in 30, 40, 50, 60, 70 and 80 mm lengths
- Accommodates a 3 mm diameter tandem
- Reusable
- Steam sterilizable

Product #	Description
GM11001160	Smit cervical sleeve with clamping for guide tube, 30 mm
GM11000960	Smit cervical sleeve with clamping for guide tube, 40 mm
GM11001170	Smit cervical sleeve with clamping for guide tube, 50 mm
GM11001260	Smit cervical sleeve with clamping for guide tube, 60 mm
GM11001150	Smit cervical sleeve with clamping for guide tube, 70 mm
GM11001140	Smit cervical sleeve with clamping for guide tube, 80 mm

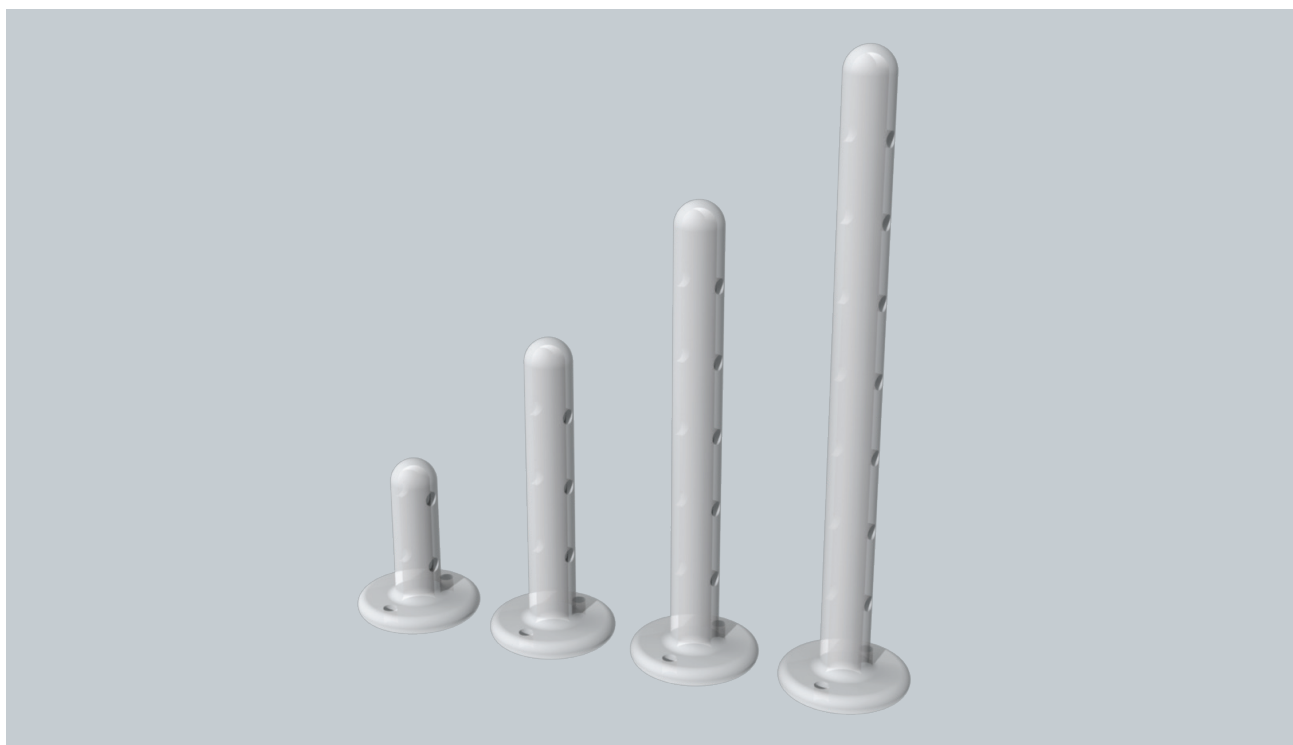




# Cervical Sleeves

CT Compatible / MR Conditional: 1.5 and 3.0 Tesla

Afterloader: BRAVOS™ / GammaMedplus™ Series / VariSource™ Series



The optional Cervical Sleeves help provide maximum patient comfort and are more flexible than the Smit Cervical Sleeves. They allow easy multiple fraction and application, as well as allow for repeated insertion and reduce the risk of perforation.

- More flexible than the Smit Cervical Sleeves
- CT Compatible / MR Conditional: 1.5 and 3.0 Tesla
- Use with applicators to aid insertion of the uterine tandem

- Simplifies insertion of the tandem and reduces risk of tandem perforation of the uterine wall
- May be sutured in place and left in situ for easy repeat treatments
- Available in 20, 40, 60 and 80 mm lengths
- Accommodates a 3 mm diameter tandem
- Single use
- Plasma sterilizable

*Requires sterilization before use*

Product #	Description
AL13142000	Cervical sleeve, 3 mm aperture, 20 mm length, polyethylene
AL13142001	Cervical sleeve, 3 mm aperture, 40 mm length, polyethylene
AL13142002	Cervical sleeve, 3 mm aperture, 60 mm length, polyethylene
AL13142003	Cervical sleeve, 3 mm aperture, 80 mm length, polyethylene



# Cervical Sleeves (PEEK Tandems)

CT Compatible / MR Conditional: 1.5 and 3.0 Tesla  
 Afterloader: BRAVOS™ / GammaMedplus™ Series / VariSource™ Series



The optional Smit Cervical Sleeves help provide maximum patient comfort and allow easy multiple fraction application. Smit cervical sleeves also allow for repeated insertion and reduce the risk of perforation.

- Use with applicators to aid insertion of the uterine tandem
- CT Compatible / MR Conditional: 1.5 and 3.0 Tesla
- Simplifies insertion of the tandem and reduces risk of tandem perforation of the uterine wall

- May be sutured in place and left in situ for easy repeat treatments
- Sleeve position is easily identified and verified with the integral titanium marking
- Available in 30, 40, 50, 60, 70 and 80 mm lengths
- Accommodates a 6.3 mm diameter tandem
- Reusable
- Steam sterilizable

Product #	Description	Product #	Description
GM11010630	Cervical sleeve IU Ø6.4mm, 30mm, without marker	GM11011280	Cervical sleeve IU Ø6.4mm, 30mm, with marker
GM11010570	Cervical sleeve IU Ø6.4mm, 40mm, without marker	GM11011290	Cervical sleeve IU Ø6.4mm, 40mm, with marker
GM11010640	Cervical sleeve IU Ø6.4mm, 50mm, without marker	GM11011310	Cervical sleeve IU Ø6.4mm, 50mm, with marker
GM11010580	Cervical sleeve IU Ø6.4mm, 60mm, without marker	GM11011380	Cervical sleeve IU Ø6.4mm, 60mm, with marker
GM11010650	Cervical sleeve IU Ø6.4mm, 70mm, without marker	GM11011390	Cervical sleeve IU Ø6.4mm, 70mm, with marker
GM11010590	Cervical sleeve IU Ø6.4mm, 80mm, without marker	GM11011450	Cervical sleeve IU Ø6.4mm, 80mm, with marker



# Interstitial Applicators





# Table of Contents

## Interstitial Applicators

Product #	Description	
Series	Kelowna GYN Templates	81
Series	Crook Prostate Templates	83
AL13012000	Advanced Breast Template System	85
Series	Interstitial Stainless Steel Needles	87
Series	Interstitial Titanium Needles 17 Gauge (1.47 mm)	89
Series	Interstitial Titanium Needles 16 Gauge (1.65 mm)	91
Series	Interstitial Plastic Needles	93
GM11004680	Flexible Interstitial Implant Tube Set	95
AL130550XX	Interstitial/Breast Catheter Kits	99

Some products not available in all markets. Please contact your local representative for specific product registration status in your country.





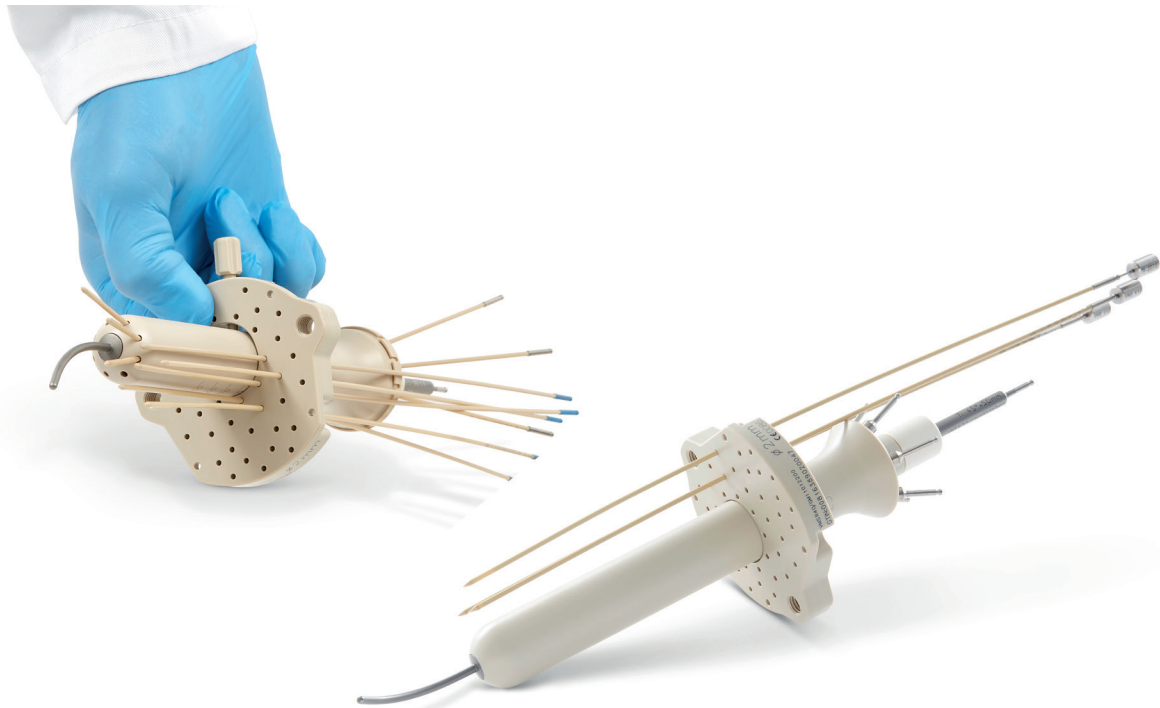
# Kelowna GYN Templates

## Series

CT Compatible

**Intended for:** HDR or PDR interstitial brachytherapy of gynecological and rectal/anal cancer

**Afterloader:** BRAVOS™ / GammaMedplus™ Series / VariSource™ Series



The Kelowna GYN Template is a reusable interstitial template for the treatment of gynecologic and anal/rectal cancers. The template features individual needle collets for needle fixation and can be used with a trans-rectal ultrasound probe and Civco stepper/stabilizer. The 25 mm cylinders from the Universal Cylinder Applicator Family can be used as a vaginal obturator with a central treatment channel. The template is available for use with 2 mm, 16 gauge (1.65 mm), and 17 gauge (1.47 mm) needles.

- CT Compatible
- Available for 2 mm, 16 gauge (1.65 mm), or 17 gauge (1.47 mm) needles
- Compatible with all 25mm vaginal cylinder applicators (Stump, Segmented, Multi-Channel, Interstitial)
- Includes 25 locking collets and needle collet wrench
- Steam sterilizable up to 100 cycles

Qty.*	Product #	Applicator Variations
1	GM11012200	Kelowna GYN Template for 2.0 mm needles, including locking collet (pack of 25) and needle collet wrench
1	GM11012210	Kelowna GYN Template for 16 gauge (1.65 mm) needles, including locking collet (pack of 25) and needle collet wrench
1	GM11012220	Kelowna GYN Template for 17 gauge (1.47 mm) needles, including locking collet (pack of 25) and needle collet wrench
<b>Available Needles - for required accessories per afterloader, please refer to the needle catalogue page</b>		
**	GM11007570	Plastic needle with mandrin, ø 2.0 mm, length 200 mm
**	GM11007580	Plastic needle with mandrin, ø 2.0 mm, length 320 mm
**	GM11010750	Plastic needle with mandrin, ø 2.0 mm, length 320 mm, blunt tip
**	GM11010220	Titanium needle 200 mm, 16 gauge (1.65 mm), sharp trocar point
**	GM11010230	Titanium needle 250 mm, 16 gauge (1.65 mm), sharp trocar point
**	GM11010240	Titanium needle 320 mm, 16 gauge (1.65 mm), sharp trocar point
**	GM11010420	Titanium needle 200 mm, 16 gauge (1.65 mm), blunt trocar point
**	GM11010430	Titanium needle 250 mm, 16 gauge (1.65 mm), blunt trocar point
**	GM11010440	Titanium needle 320 mm, 16 gauge (1.65 mm), blunt trocar point
**	GM11009710	Titanium needle 200 mm, 17 gauge, trocar point
**	GM11009720	Titanium needle 250 mm, 17 gauge, trocar point
**	GM11009730	Titanium needle 320 mm, 17 gauge, trocar point
**	GM11009510	Stainless steel needle 200 mm, 17 gauge, trocar point
**	GM11009520	Stainless steel needle 250 mm, 17 gauge, trocar point
**	GM11009530	Stainless steel needle 320 mm, 17 gauge, trocar point
<b>Optional Accessories</b>		
1	GM11012270	Blue locking collets for 2.0 mm needles (pack of 25)
1	GM11012350	Locking collets for 16 G and 17 G needles (pack of 25)
1	GM11012280	Needle collet wrench (set component)
1	GM11010340	Universal Sterilization Box
1	GM11012310	Adapter pin for GYN templates
1	GM11012320	Thumbscrew for GYN templates
1	GM11012300	Small component box
1	GM11012310	Adapter pin for GYN templates
1	GM11012320	Thumbscrew for GYN templates
1	GM11011130	Universal Stump Cylinder, 25 mm diameter, 140 mm length
1	GM11011410	Universal Multi-channel Cylinder, 25 mm diameter
1	GM11013310	Universal Interstitial Cylinder, 25 mm diameter
1	GM11005180	Clamping Segment (for universal cylinders)
1	GM11011180	Rigid Guide Tube, 250 mm length (for universal cylinders)

\*Quantity included with the kit. Quantity associated with each part number is one (1) unless otherwise indicated in the product description.

\*\*Choose desired quantity - one per channel.

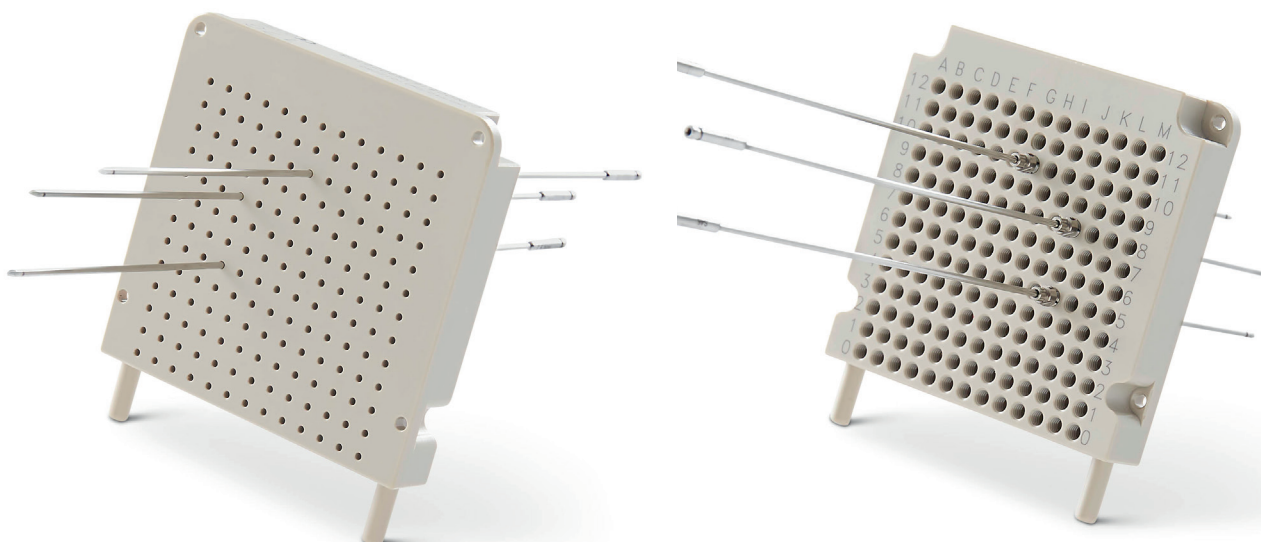
# Crook Prostate Templates

## Series

CT Compatible

**Intended for:** HDR or PDR interstitial brachytherapy of prostate cancer

**Afterloader:** BRAVOS™ / GammaMedplus™ Series / VariSource™ Series



The Crook Prostate Templates are reusable interstitial templates for the treatment of prostate cancer. The templates feature individual needle collets for needle fixation and can be used with a trans-rectal ultrasound probe and Civco stepper/stabilizer. The templates are available for use with 2 mm and 17 gauge (1.47 mm) needles, as well as either BK or Siemens grid labelling.

- CT Compatible
- Available for 2 mm or 17 gauge (1.47 mm) needles
- Available with B-K or Siemens grid labelling
- Includes 25 locking collets and needle collet wrench
- Steam sterilizable up to 100 cycles

Qty.*	Product #	Applicator Template Versions
1	GM11012230	Crook Prostate Template for 2.0 mm needles, B-K labelling, including locking collet (pack of 25) and needle collet wrench
1	GM11012240	Crook Prostate Template for 17 gauge (1.47 mm) needles, B-K labelling, including locking collet (pack of 25) and needle collet wrench
1	GM11012250	Crook Prostate Template for 2.0 mm needles, Siemens labelling, including locking collet (pack of 25) and needle collet wrench
1	GM11012260	Crook Prostate Template for 17 gauge (1.47 mm) needles, Siemens labelling, including locking collet (pack of 25) and needle collet wrench
<b>Available Needles - for required accessories per afterloader, please refer to the needle catalogue page</b>		
**	GM11007570	Plastic needle with mandrin, ø 2.0 mm, length 200 mm
**	GM11007580	Plastic needle with mandrin, ø 2.0 mm, length 320 mm
**	GM11010750	Plastic needle with mandrin, ø 2.0 mm, length 320 mm, blunt tip
**	GM11009710	Titanium needle 200 mm, 17 gauge, trocar point
**	GM11009720	Titanium needle 250 mm, 17 gauge, trocar point
**	GM11009730	Titanium needle 320 mm, 17 gauge, trocar point
*	GM11009510	Stainless steel needle 200 mm, 17 gauge, trocar point
**	GM11009520	Stainless steel needle 250 mm, 17 gauge, trocar point
**	GM11009530	Stainless steel needle 320 mm, 17 gauge, trocar point
<b>Optional Components and Accessories</b>		
1	GM11012270	Blue locking collets for 2.0 mm needles (pack of 25)
1	GM11012350	Locking collets for 16 G and 17 G needles (pack of 25)
1	GM11012280	Needle collet wrench (set component)
1	GM11010340	Universal Sterilization Box
1	GM11012300	Small component box

*\*Quantity included with the kit. Quantity associated with each part number is one (1) unless otherwise indicated in the product description.*

*\*\*Choose desired quantity - one per channel.*

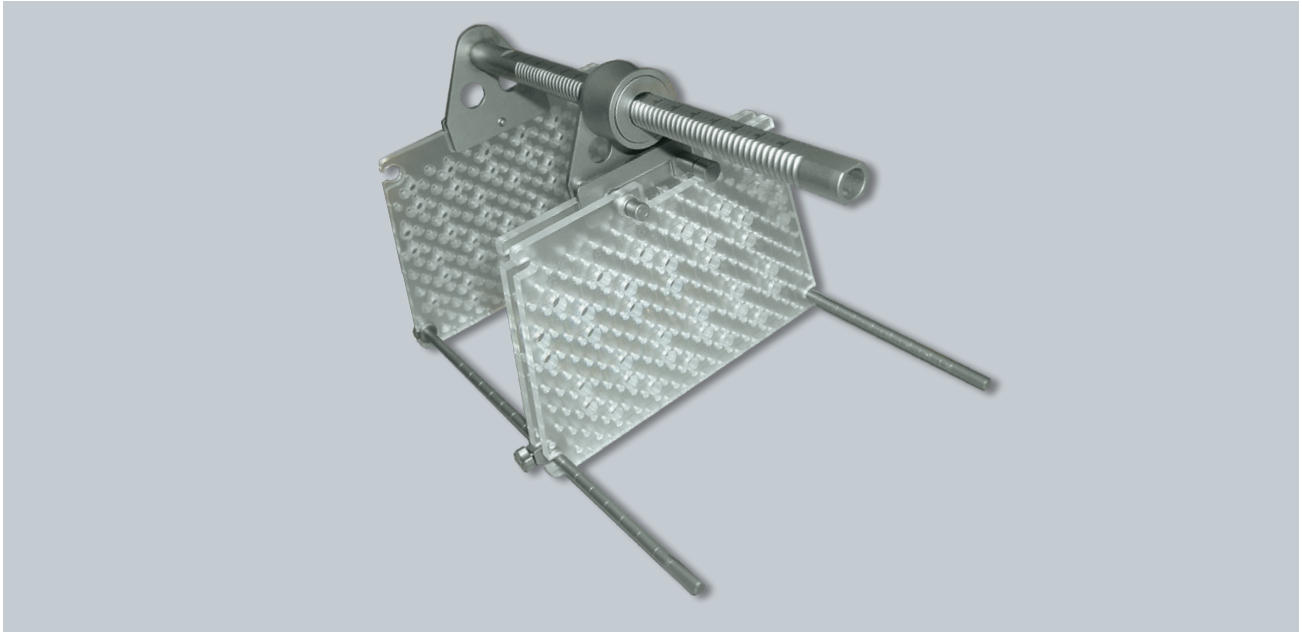
# Advanced Breast Template System

## AL13012000

CT Compatible

**Intended for:** HDR or PDR interstitial brachytherapy of the breast

**Afterloader:** BRAVOS™ / GammaMedplus™ Series / VariSource™ Series



The Advanced Breast Template System is used to facilitate interstitial breast brachytherapy using multiple implantation techniques. The device facilitates the implantation of needles or catheters post-lumpectomy for boost treatments or monotherapy brachytherapy of the tumor bed. The device consists of three main components in three sizes: the breast bridge, the stabilization rails, and the breast templates. Assembled with the breast bridge and templates only, the device can be used for implantation following the technique described by R. Kuske.<sup>1</sup> With the use of the stabilization bars, the device can be used to adopt the technique described by the William Beaumont Group<sup>2</sup> while the positioning of needle holes at the very edge of the template facilitates the needle placement very close to the chest wall. The breast templates come in three sizes for easy adaptation to patient anatomy and the desired isodose coverage. The templates are designed for use with 17 gauge needles and accept 18 gauge. Needle holes are spaced across the template in two grids each on a 10 mm spacing and placed 5 mm from one another in each direction. Additional template holes allow for the injection of local anesthetic. The insertion side plate is patterned with titanium marker beads for referencing the lumpectomy on a simulator or stereotactic mammography table. The bridge can be adjusted between 40-200 mm in

2.5 mm increments. An optional guide template guides the needle as it passes through the breast and into the correct hole on the opposing fixed template.

- Suitable for a range of implantation techniques for treatment of the breast
- CT Compatible
- Manufactured almost exclusively from titanium and Lexan®
- Facilitates the implantation of 17 gauge needles for catheter implantation
- Includes three template sizes: 100, 150 and 200 mm
- Bridge adjusts from 40-200 mm in 2.5 mm increments
- Includes three stabilization bar sizes: 100, 150 and 200 mm
- Extremely lightweight and durable
- Includes additional guide template to facilitate easy, accurate needle placement
- Sliding template contains a series of titanium balls set in a cross pattern to assist with localization
- Needle holes identified by number/letter grid pattern
- Steam sterilizable

1. Vicini, F.A., Baglan, K.L., Kestin, L.L. et al. (April 2001). Accelerated treatment of breast cancer. *Journal of Oncology*, Vol. 19, Issue 7.

2. King, T.A., Bolton, J.S., Kuske, R.R., et al. (October 2000). Long-term results of wide-field brachytherapy as the sole method of radiation therapy after segmental mastectomy for T1s, 1,2 breast cancer. *The American Journal of Surgery*, Vol. 180, Issue 4, 299-304.

Qty.*	Product #	Components of the Applicator Set
1	AL07375000	Breast bridge assembly, titanium
1	AL07376000	Small fixed template, 100 mm
1	AL07377000	Medium fixed template, 150 mm
1	AL07378000	Large fixed template, 200 mm
1	AL07379000	Small sliding template, 100 mm
1	AL07380000	Medium sliding template, 150 mm
1	AL07381000	Large sliding template, 200 mm
1	AL07382000	Small guide template, 100 mm
1	AL07383000	Medium guide template, 150 mm
1	AL07384000	Large guide template, 200 mm
2	AL07385000	Small stabilization rail, titanium 100 mm
2	AL07386000	Medium stabilization rail, titanium, 150 mm
2	AL07387000	Large stabilization rail, titanium, 200 mm
2	AL07388000	Rail lock assembly, titanium
<b>Available Needles/Implant Tubes - for required accessories per afterloader, please refer to the Needle/Tube catalogue page</b>		
**	AL130550XX	Interstitial/breast catheter kit
**	GM11009500	Stainless steel needle 113 mm, 17 gauge, trocar point
**	GM11009510	Stainless steel needle 200 mm, 17 gauge, trocar point
**	GM11009520	Stainless steel needle 250 mm, 17 gauge, trocar point
**	GM11009530	Stainless steel needle 320 mm, 17 gauge, trocar point
**	GM11009700	Titanium Needles 113 mm, 17 gauge, trocar point
**	GM11009710	Titanium Needles 200 mm, 17 gauge, trocar point
**	GM11009720	Titanium Needles 250 mm, 17 gauge, trocar point
**	GM11009730	Titanium Needles 320 mm, 17 gauge, trocar point

*\*Quantity included with the kit. Quantity associated with each part number is one (1) unless otherwise indicated in the product description.*

*\*\*Choose desired quantity - one per channel.*

Lexan® is a registered trademark of General Electric Company

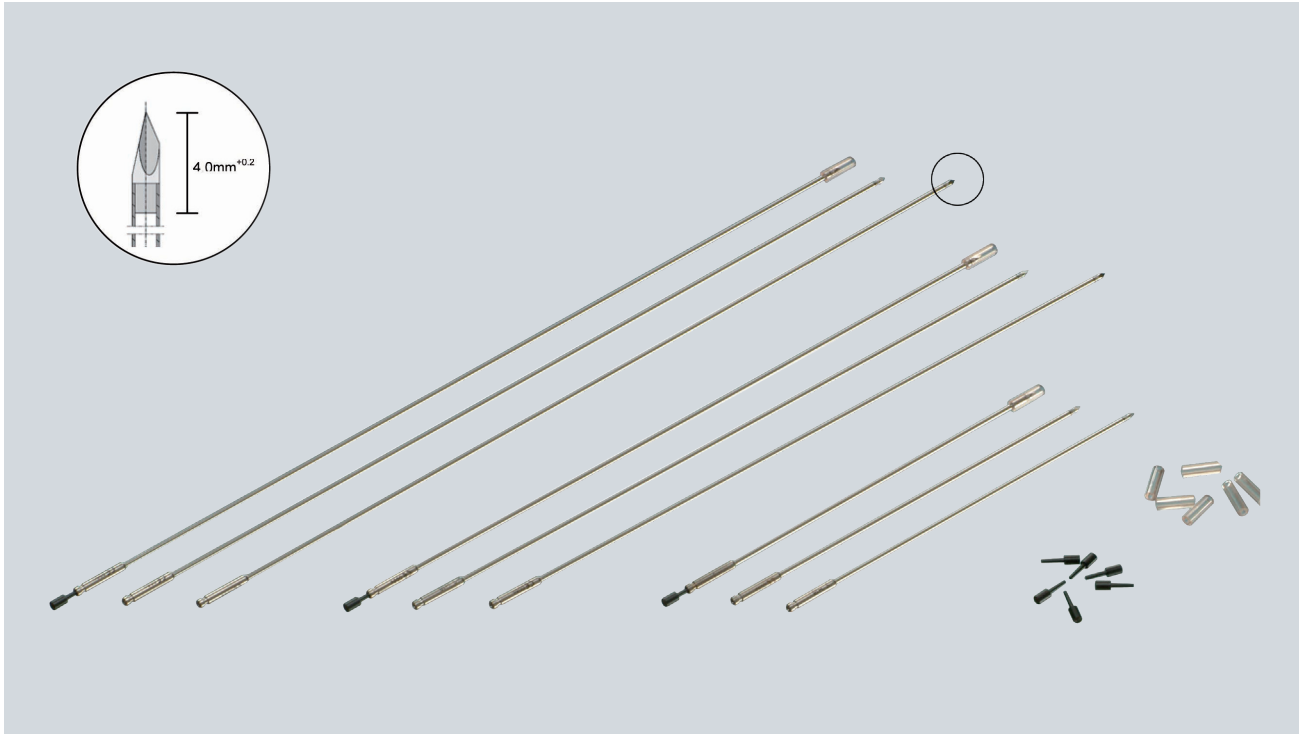
# Interstitial Stainless Steel Needles

## Series

CT Compatible

**Intended for:** HDR or PDR interstitial brachytherapy

**Afterloader:** BRAVOS™ / GammaMedplus™ Series / VariSource™ Series



The Interstitial Stainless Steel Needles are used for interstitial treatments of head and neck, GYN implants, breast or prostate. The needles can be used in combination with the appropriate templates or fixation buttons. The needles come in four lengths (113 mm, 200 mm, 250 mm, and 320 mm) and two gauges (17 and 18\*). The needles have a short distal dead space of 4 mm and a sharp trocar tip for easy insertion.

- Suitable for head & neck, breast, prostate, and GYN implants
- CT Compatible
- Needles can be used in combination with appropriate templates allowing for greater variety of applications
- Rigid stainless steel needles in various lengths with trocar points facilitate accurate needle placement
- Optional stabilizing obturators available for easy insertion
- Needles and obturator reusable up to 25 times
- Steam sterilizable

\* 17 gauge is 1.47 mm, 18 gauge is 1.27 mm

## Interstitial Stainless Steel Needles – CT Compatible

Qty.*	Product #	Description of the Product
1	GM11009500	Stainless steel needle 113 mm, 17 gauge, trocar point
1	GM11009510	Stainless steel needle 200 mm, 17 gauge, trocar point
1	GM11009520	Stainless steel needle 250 mm, 17 gauge, trocar point
1	GM11009530	Stainless steel needle 320 mm, 17 gauge, trocar point
1	GM11009550	Stainless steel needle 113 mm, 18 gauge, trocar point, VariSource only
1	GM11009560	Stainless steel needle 200 mm, 18 gauge, trocar point, VariSource only
1	GM11009570	Stainless steel needle 250 mm, 18 gauge, trocar point, VariSource only
1	GM11009580	Stainless steel needle 320 mm, 18 gauge, trocar point, VariSource only
<b>Required and Recommended Accessories, Bravos (if not already purchased)</b>		
**	GM11010840	Transfer Guide Tube for 113 mm applicators
**	GM11010850	Transfer Guide Tube for 200 mm applicators
**	GM11010860	Transfer Guide Tube for 250 mm applicators
**	GM11010800	Transfer Guide Tube for 320 mm applicators
**	GM11010870	Transfer Guide Tube for 1000 mm applicators (for non-standard treatment length)
1	GM11011800	Length Assessment Device
**	GM11003810	Leak stop buttons, non-sterile, pack of 50
**	GM11010770	Cleaning caps, dark blue (pack of 25)
<b>Required and Recommended Accessories, GammaMedplus Series (if not already purchased)</b>		
**	GM11000520	Source guide tube with locking mechanism for 113 mm needles
**	GM11000320	Source guide tube with locking mechanism for 200 mm needles
**	GM11008960	Source guide tube with locking mechanism for 250 mm needles
**	GM11000340	Source guide tube with locking mechanism for 320 mm applicators
1	GM11000330	Length gauge, GammaMedplus
1	GM11003810	Leak stop buttons, non-sterile, pack of 50
4	GM11010770	Cleaning caps, dark blue (pack of 25)
<b>Required and Recommended Accessories, VariSource Series (if not already purchased)</b>		
Refer to the Instruction For Use (IFU) for each specific needle		
<b>Optional Components and Accessories</b>		
**	GM11009800	Obturator, 113 mm for 17 and 18 gauge needles
**	GM11009810	Obturator, 200 mm for 17 and 18 gauge needles
**	GM11009820	Obturator, 250 mm for 17 and 18 gauge needles
**	GM11009830	Obturator, 320 mm for 17 and 18 gauge needles
**	GM11007280	Source guide tube light with locking mechanism, 113 mm needles, GammaMedplus
**	GM11007270	Source guide tube light with locking mechanism, 200 mm needles, GammaMedplus
**	GM11010780	Source guide tube light with locking mechanism, 250 mm needles, GammaMedplus
**	GM11010760	Source guide tube light with locking mechanism, 320 mm needles, GammaMedplus
1	GM11009640	X-ray marker BV set I, up to 200mm needles, coded 01-06 (not usable with the 18G needles)
1	GM11009650	X-ray marker BV set II, up to 200mm needles, coded 07-12 (not usable with the 18G needles)
1	GM11009620	X-ray marker BV set I, up to 320 mm applicators, coded 01-06 (not usable with the 18G needles)
1	GM11009630	X-ray marker BV set II, up to 320mm applicators, coded 07-12 (not usable with the 18G needles)
1	GM11010510	Leak stop channel marker set, 1-12
1	GM11010520	Leak stop channel marker set, 13-24
1	GM11009490	Protection cap, clear, for 18 gauge needle (pack of 20)
1	GM11001390	Source guide tube support (Bravos and GammaMedplus units only)
1	GM11012340	Needle box (needle sterilization)

\*Quantity included with the kit. Quantity associated with each part number is one (1) unless otherwise indicated in the product description.

\*\*Choose desired quantity - one per channel.



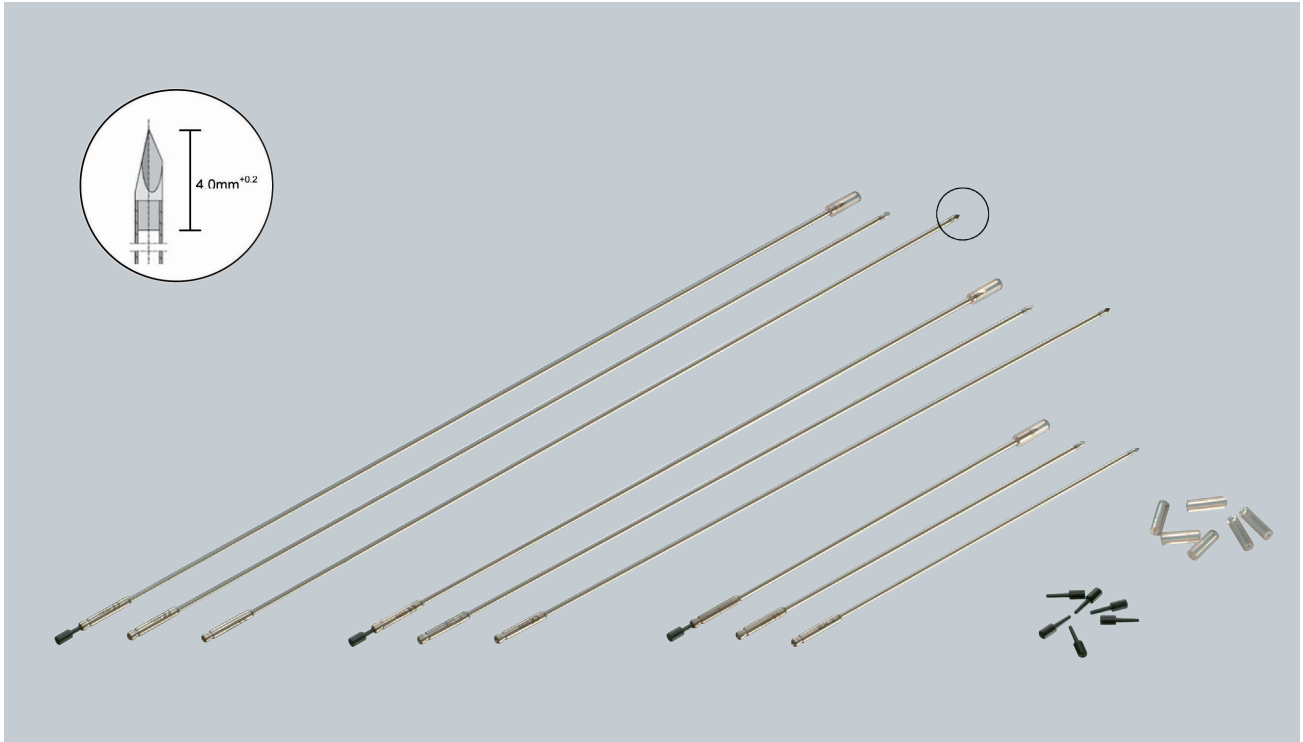
# Interstitial Titanium Needles 17 Gauge (1.47 mm)

## Series

CT Compatible

**Intended for:** HDR or PDR interstitial brachytherapy

**Afterloader:** BRAVOS™ / GammaMedplus™ Series / VariSource™ Series



The Interstitial Titanium Needles are used for interstitial treatments of head and neck, GYN implants, breast or prostate. The needles can be used in combination with the appropriate templates or fixation buttons. To address your specific needs, the 17 gauge needle comes in four lengths (113 mm, 200 mm, 250 mm, and 320 mm). Their sharp trocar tip offers easy insertion. Minimal distal dead space (4 mm) allows for source positioning close to the needle tip. The titanium composition of the needles reduces the likelihood of CT artifacts.

- Suitable for head & neck, breast, prostate, and GYN implants
- CT Compatible
- Needles can be used in combination with appropriate templates, allowing for greater variety of applications
- Rigid titanium needles in various lengths with trocar points facilitate accurate needle placement
- Reusable up to 25 times
- Steam sterilizable

Qty.*	Product #	Description of the Product
1	GM11009700	Titanium needle 113 mm, 17 gauge, trocar point
1	GM11009710	Titanium needle 200 mm, 17 gauge, trocar point
1	GM11009720	Titanium needle 250 mm, 17 gauge, trocar point
1	GM11009730	Titanium needle 320 mm, 17 gauge, trocar point
<b>Required and Recommended Accessories, Bravos (if not already purchased)</b>		
**	GM11010840	Transfer Guide Tube for 113 mm applicators
**	GM11010850	Transfer Guide Tube for 200 mm applicators
**	GM11010860	Transfer Guide Tube for 250 mm applicators
**	GM11010800	Transfer Guide Tube for 320 mm applicators
**	GM11010870	Transfer Guide Tube for 1000 mm applicators
1	GM11003810	Leak stop buttons, non-sterile, pack of 50
4	GM11010770	Cleaning caps, dark blue (pack of 25)
<b>Required and Recommended Accessories, GammaMed<sup>plus</sup> Series (if not already purchased)</b>		
**	GM11000520	Source guide tube with locking mechanism for 113 mm needles
**	GM11000320	Source guide tube with locking mechanism for 200 mm needles
**	GM11008960	Source guide tube with locking mechanism for 250 mm needles
**	GM11000340	Source guide tube with locking mechanism for 320 mm applicators
1	GM11000330	Length gauge, GammaMed <sup>plus</sup>
1	GM11003810	Leak stop buttons, non-sterile, pack of 50
4	GM11010770	Cleaning caps, dark blue (pack of 25)
<b>Required and Recommended Accessories, VariSource Series (if not already purchased)</b>		
Refer to the Instruction For Use (IFU) for each specific needle		
<b>Optional Components and Accessories</b>		
**	GM11009800	Obturator, 113 mm for 17 and 18 gauge needles
**	GM11009810	Obturator, 200 mm for 17 and 18 gauge needles
**	GM11009820	Obturator, 250 mm for 17 and 18 gauge needles
**	GM11009830	Obturator, 320 mm for 17 and 18 gauge needles
**	GM11007280	Source guide tube light with locking mechanism, 113 mm needles, GammaMed <sup>plus</sup>
**	GM11007270	Source guide tube light with locking mechanism, 200 mm needles, GammaMed <sup>plus</sup>
**	GM11010780	Source guide tube light with locking mechanism, 250 mm needles, GammaMed <sup>plus</sup>
**	GM11010760	Source guide tube light with locking mechanism, 320 mm needles, GammaMed <sup>plus</sup>
1	GM11009640	X-ray marker BV set I, up to 200mm needles, coded 01-06 (not usable with the 18G needles)
1	GM11009650	X-ray marker BV set II, up to 200mm needles, coded 07-12 (not usable with the 18G needles)
1	GM11009620	X-ray marker BV set I, up to 320 mm applicators, coded 01-06 (not usable with the 18G needles)
1	GM11009630	X-ray marker BV set II, up to 320mm applicators, coded 07-12 (not usable with the 18G needles)
1	GM11010510	Leak stop channel marker set, 1-12
1	GM11010520	Leak stop channel marker set, 13-24
1	GM11001390	Source guide tube support (Bravos and GammaMed <sup>plus</sup> units only)
1	GM11012340	Needle box (needle sterilization)

\*Quantity included with the kit. Quantity associated with each part number is one (1) unless otherwise indicated in the product description.

\*\*Choose desired quantity - one per channel.

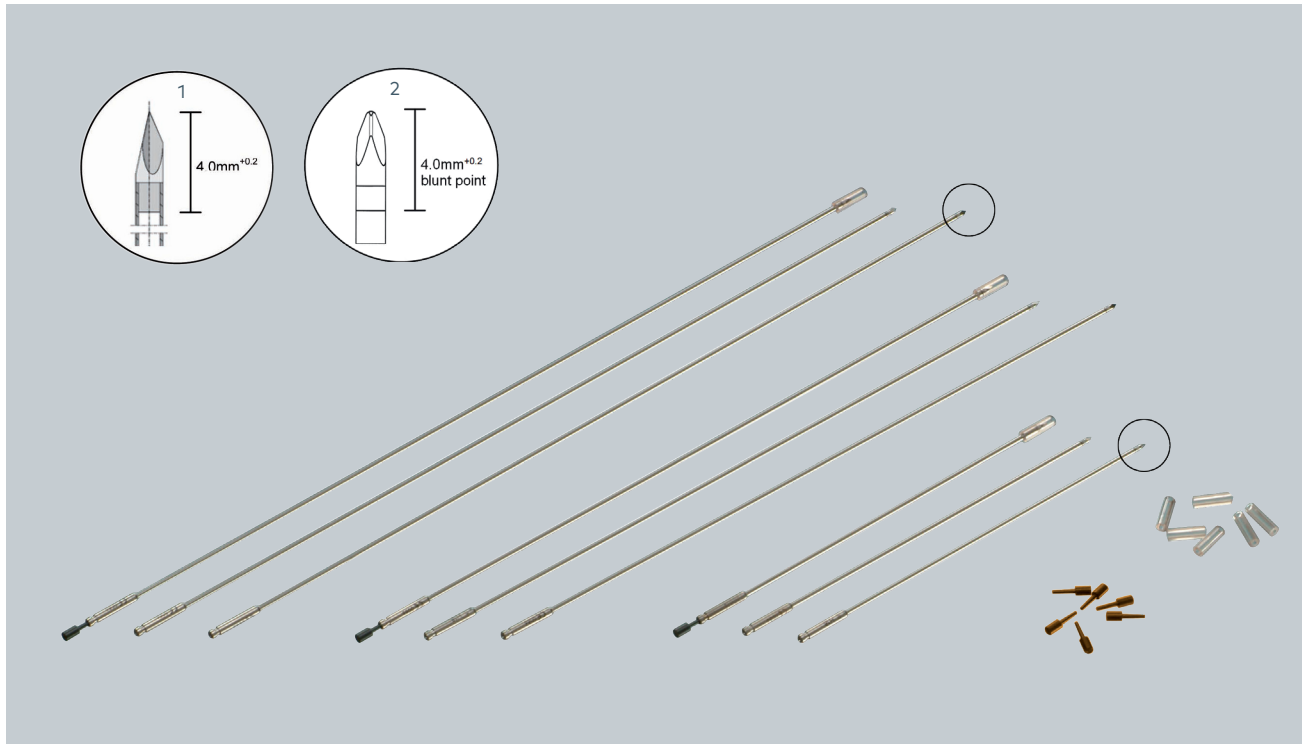
# Interstitial Titanium Needles 16 Gauge (1.65 mm)

## Series

CT Compatible

**Intended for:** HDR or PDR interstitial brachytherapy

**Afterloader:** BRAVOS™ / GammaMed*plus*™ Series / VariSource™ Series



The Interstitial Titanium Needles with 1.65 mm (16 gauge) diameter are used for interstitial treatments of head and neck, GYN implants, breast or prostate. The needles can be used in combination with the appropriate templates or fixation buttons. They can be pre-bent by using a bending jig. The 1.65 mm needles are available in four lengths (113 mm, 200 mm, 250 mm, and 320 mm). The sharp trocar tip version offers easy insertion. The blunt trocar tip version offers good needle guidance while limiting injuries to surrounding vessels. Minimal distal dead space (4 mm) allows for source positioning close to the needle tip. The titanium composition of the needles reduces the likelihood of CT artifacts.

- Suitable for head & neck, breast, prostate, and GYN implants
- CT Compatible / MR Conditional: 1.5 and 3.0 Tesla in combination with the Vienna-Style Ring & Tandem
- Needles can be used in combination with appropriate templates allowing for greater variety of applications
- Suitable for pre-bending using a bending jig
- Rigid titanium needles in various lengths with trocar points facilitate accurate needle placement
- Reusable up to 25 times
- Steam sterilizable

Qty.*	Product #	Description of the Product
1	GM11010210	Titanium needle 113 mm, 1.65 mm (16 gauge), sharp trocar point
1	GM11010220	Titanium needle 200 mm, 1.65 mm (16 gauge), sharp trocar point
1	GM11010230	Titanium needle 250 mm, 1.65 mm (16 gauge), sharp trocar point
1	GM11010240	Titanium needle 320 mm, 1.65 mm (16 gauge), sharp trocar point
1	GM11010410	Titanium needle 113 mm, 1.65 mm (16 gauge), blunt trocar point
1	GM11010420	Titanium needle 200 mm, 1.65 mm (16 gauge), blunt trocar point
1	GM11010430	Titanium needle 250 mm, 1.65 mm (16 gauge), blunt trocar point
1	GM11010440	Titanium needle 320 mm, 1.65 mm (16 gauge), blunt trocar point
<b>Required and Recommended Accessories, Bravos (if not already purchased)</b>		
**	GM11010840	Transfer Guide Tube for 113 mm applicators
**	GM11010850	Transfer Guide Tube for 200 mm applicators
**	GM11010860	Transfer Guide Tube for 250 mm applicators
**	GM11010800	Transfer Guide Tube for 320 mm applicators
**	GM11010870	Transfer Guide Tube for 1000 mm applicators
1	GM11003810	Leak stop buttons, non-sterile, pack of 50
4	GM11010770	Cleaning caps, dark blue (pack of 25)
<b>Required and Recommended Accessories, GammaMed<sup>plus</sup> Series (if not already purchased)</b>		
**	GM11000520	Source guide tube with locking mechanism for 113 mm needles
**	GM11000320	Source guide tube with locking mechanism for 200 mm needles
**	GM11008960	Source guide tube with locking mechanism for 250 mm needles
**	GM11000340	Source guide tube with locking mechanism for 320 mm applicators
1	GM11000330	Length gauge, GammaMed <sup>plus</sup>
1	GM11003810	Leak stop buttons, non-sterile, pack of 50
4	GM11010770	Cleaning caps, dark blue (pack of 25)
<b>Required and Recommended Accessories, VariSource Series (if not already purchased)</b>		
Refer to the Instruction For Use (IFU) for each specific needle		
<b>Optional Components and Accessories</b>		
**	GM11003340	Mandrin, 113 mm
**	GM11003270	Mandrin, 200 mm
**	GM11010180	Mandrin, 250 mm
**	GM11003100	Mandrin, 320 mm
**	GM11007280	Source guide tube light with locking mechanism, 113 mm needles, GammaMed <sup>plus</sup>
**	GM11007270	Source guide tube light with locking mechanism, 200 mm needles, GammaMed <sup>plus</sup>
**	GM11010780	Source guide tube light with locking mechanism, 250 mm needles, GammaMed <sup>plus</sup>
**	GM11010760	Source guide tube light with locking mechanism, 320 mm needles, GammaMed <sup>plus</sup>
1	GM11009640	X-ray marker BV set I, up to 200mm needles, coded 01-06 (not usable with the 18G needles)
1	GM11009650	X-ray marker BV set II, up to 200mm needles, coded 07-12 (not usable with the 18G needles)
1	GM11009620	X-ray marker BV set I, up to 320 mm applicators, coded 01-06 (not usable with the 18G needles)
1	GM11009630	X-ray marker BV set II, up to 320mm applicators, coded 07-12 (not usable with the 18G needles)
1	GM11010510	Leak stop channel marker set, 1-12
1	GM11010520	Leak stop channel marker set, 13-24
1	GM11001390	Source guide tube support (Bravos and GammaMed <sup>plus</sup> units only)
1	GM11012340	Needle box (needle sterilization)

\*Quantity included with the kit. Quantity associated with each part number is one (1) unless otherwise indicated in the product description.

\*\* Choose desired quantity - one per channel.

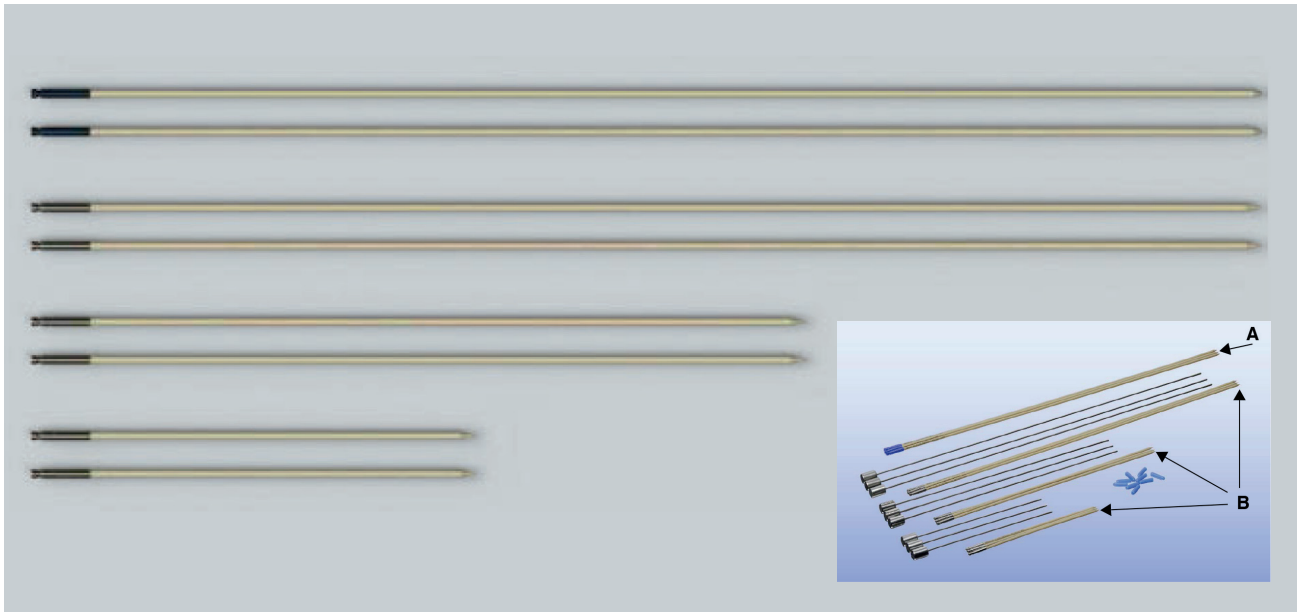
# Interstitial Plastic Needles

## Series

CT Compatible / MR Conditional: 1.5 and 3.0 Tesla

**Intended for:** HDR or PDR interstitial brachytherapy

**Afterloader:** BRAVOS™ / GammaMed*plus*™ Series / VariSource™ Series



The Interstitial Plastic Needles with 2 mm diameter are used for interstitial treatments in areas such as head and neck, GYN implants, breast or prostate. The needles can be used in combination with the appropriate buttons or templates. Using stainless steel buttons provides a means of flexible implantation. All needles are equipped with a titanium standard connector for easy and secure connection to the afterloader device. The 320 mm length needles are available in both a sharp and blunt tip.

- Suitable for head & neck, breast, prostate, and GYN implants
- CT Compatible / MR Conditional: 1.5 and 3.0 Tesla if used without channel markers and mandrins
- Needles can be used in combination with appropriate templates allowing for greater variety of applications
- Flexible plastic needles with sharp pencil points facilitate accurate needle placement
- Equipped with stabilizing mandrins for easy insertion
- Up to 25 times repeated use
- Blunt tip needle available in 320 mm length only
- Steam sterilizable

Qty.*	Product #	Description of the Product
1	GM11007560	Plastic needle with mandrin, 2.0 mm diameter, length 113 mm
1	GM11007570	Plastic needle with mandrin, 2.0 mm diameter, length 200 mm
1	GM11007580	Plastic needle with mandrin, 2.0 mm diameter, length 320 mm
1	GM11010750	Plastic needle with mandrin, 2.0 mm diameter, length 320 mm, blunt tip
<b>Required and Recommended Accessories, BRAVOS (if not already purchased)</b>		
**	GM11010840	Transfer Guide Tube for 113 mm applicators
**	GM11010850	Transfer Guide Tube for 200 mm applicators
**	GM11010860	Transfer Guide Tube for 250 mm applicators
**	GM11010800	Transfer Guide Tube for 320 mm applicators
**	GM11010870	Transfer Guide Tube for 1000 mm applicators
1	GM11003810	Leak stop buttons, non-sterile, pack of 50
4	GM11010770	Cleaning caps, dark blue (pack of 25)
<b>Required and Recommended Accessories, GammaMed<math>plus</math> Series (if not already purchased)</b>		
**	GM11000520	Source guide tube with locking mechanism for 113 mm needles
**	GM11000320	Source guide tube with locking mechanism for 200 mm needles
**	GM11008960	Source guide tube with locking mechanism for 250 mm needles
**	GM11000340	Source guide tube with locking mechanism for 320 mm applicators
1	GM11000330	Length gauge, GammaMed $plus$
1	GM11003810	Leak stop buttons, non-sterile, pack of 50
4	GM11010770	Cleaning caps, dark blue (pack of 25)
<b>Required and Recommended Accessories, VariSource Series (if not already purchased)</b>		
Refer to the Instruction For Use (IFU) for each specific needle		
<b>Optional Components and Accessories</b>		
**	GM11003340	Mandrin, 113 mm
**	GM11003270	Mandrin, 200 mm
**	GM11010180	Mandrin, 250 mm
**	GM11003100	<i>Mandrin, 320 mm</i>
**	GM11007280	Source guide tube light with locking mechanism, 113 mm needles, GammaMed $plus$
**	GM11007270	Source guide tube light with locking mechanism, 200 mm needles, GammaMed $plus$
**	GM11010780	Source guide tube light with locking mechanism, 250 mm needles, GammaMed $plus$
**	GM11010760	Source guide tube light with locking mechanism, 320 mm needles, GammaMed $plus$
1	GM11009640	X-ray marker BV set I, up to 200mm needles, coded 01-06 (not usable with the 18G needles)
1	GM11009650	X-ray marker BV set II, up to 200mm needles, coded 07-12 (not usable with the 18G needles)
1	GM11009620	X-ray marker BV set I, up to 320 mm applicators, coded 01-06 (not usable with the 18G needles)
1	GM11009630	X-ray marker BV set II, up to 320mm applicators, coded 07-12 (not usable with the 18G needles)
1	GM11010510	Leak stop channel marker set, 1-12
1	GM11010520	Leak stop channel marker set, 13-24
1	GM11001390	Source guide tube support (Bravos and GammaMed $plus$ units only)
1	GM11012340	Needle box (Needle sterilization)

\*Quantity included with the kit. Quantity associated with each part number is one (1) unless otherwise indicated in the product description.

\*\* Choose desired quantity - one per channel.

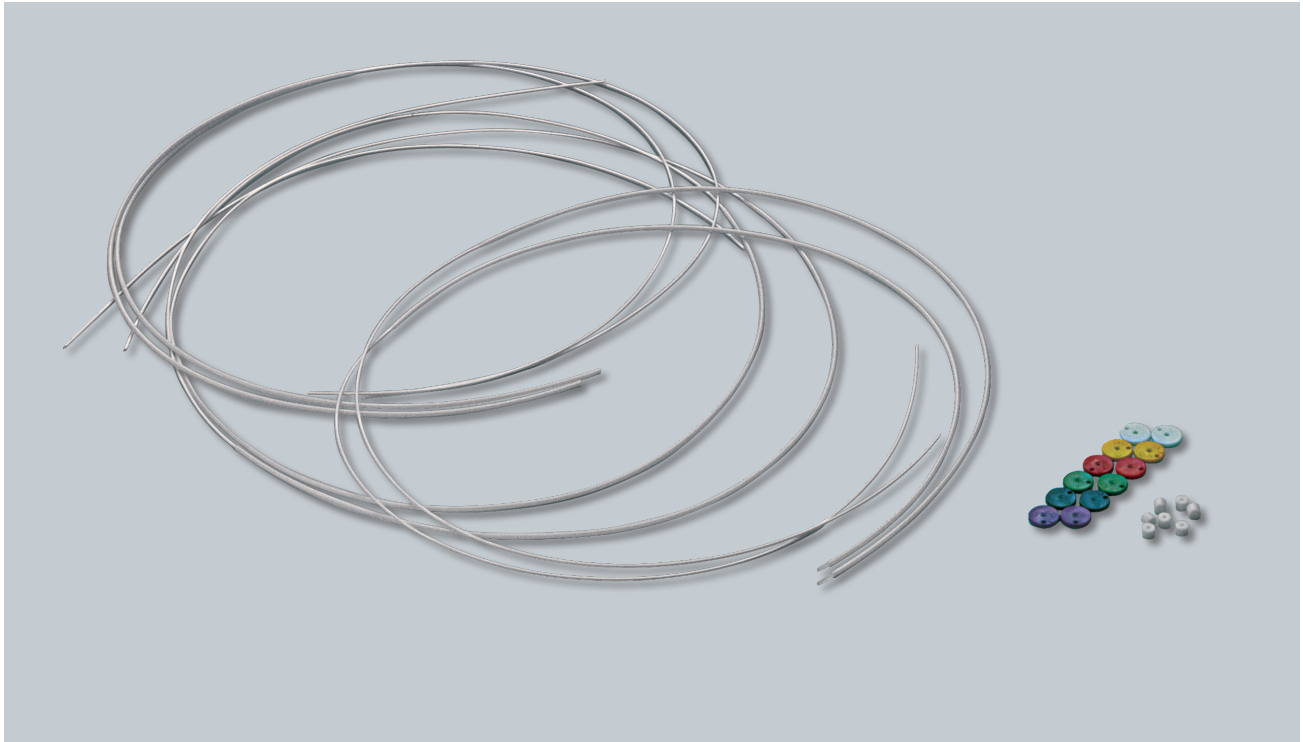
# Flexible Interstitial Implant Tube Set

## GM11004680

CT Compatible / MR Compatibility: Safe

**Intended for:** HDR or PDR brachytherapy

**Afterloader:** BRAVOS™ / GammaMed*plus*™ Series



The Flexible Interstitial Implant Tubes are indicated for use for irradiation treatments which require a flexible source guiding lumen including treatments of the head, neck, tongue, bladder, gynecology and prostate using HDR or PDR Brachytherapy. There are tubes available for blind-end and loop techniques. The tubes are 1.84 mm in outer diameter and have an inner nylon monofil to help prevent kinks during implantation. Six clamping buttons of varying colors are supplied. The radiopaque fixation button helps provide optimal X-ray verification of the flexible tubes.

- CT Compatible
- MR Compatibility: Safe
- Single leader tube has a stop for a clamping button
- Colored clamping buttons allow for easy identification of implant tubes
- Implant tubes are supplied sterile and single use
- Clamping and fixation buttons can be sterilized using plasma

Qty.*	Product #	Components of the Applicator Set
10	GM11003720	Flexible implant tubes, single leader, 350 mm, sterile, single use, set of 3
10	GM11003920	Flexible implant tubes, double leader, 350 mm, sterile, single use, set of 3
10	GM11003730	Flexible implant tubes, blind-end 350 mm, sterile, single use, set of 3
5	GM11003820	Button set, radiopaque
1	GM11010510	Leak stop channel marker set, 1-12
<b>Required and Recommended Accessories, BRAVOS (if not already purchased)</b>		
**	GM11003200	Implant needle 100 mm, ø 1.7 mm straight
**	GM11003210	Implant needle 100 mm, ø 1.7 mm curved
**	GM11011860	Transfer guide tube for 113 mm catheters
**	GM11011870	Transfer guide tube for 200 mm catheters
**	GM11011880	Transfer guide tube for 250 mm catheters
**	GM11011890	Transfer guide tube for 320 mm catheters
**	GM11011910	Transfer guide tube, 1000 mm for catheters (for non-standard treatment length)
**	GM11009600	X-ray marker BV, up to 320 mm applicators, uncoded
1	GM11011800	Length assessment device
1	GM11003810	Leak stop buttons, non-sterile, pack of 50
1	GM11010000	Length cutting gauge for 113 mm implant tubes
1	GM11010010	Length cutting gauge for 200 mm implant tubes
1	GM11010030	Length cutting gauge for 250 mm implant tubes
1	GM11010040	Length cutting gauge for 320 mm implant tubes
<b>Required and Recommended Accessories, GammaMed<i>plus</i> Series (if not already purchased)</b>		
**	GM11000460	Source guide tube with locking mechanism, 113 mm interstitial tube
**	GM11000370	Source guide tube with locking mechanism, 200 mm interstitial tube
**	GM11010020	Source guide tube with locking mechanism, 250 mm interstitial tube
**	GM11000310	Source guide tube with locking mechanism, 320 mm interstitial tube
1	GM11003810	Leak stop buttons, non-sterile, pack of 50
**	GM11003200	Implant needle 100 mm, ø 1.7 mm straight
**	GM11003210	Implant needle 100 mm, ø 1.7 mm curved
1	GM11010000	Length cutting gauge for 113 mm implant tubes
1	GM11010010	Length cutting gauge for 200 mm implant tubes
1	GM11010030	Length cutting gauge for 250 mm implant tubes
1	GM11010040	Length cutting gauge for 320 mm implant tubes
1	GM11000330	Length gauge, GammaMed <i>plus</i>
**	GM11009600	X-ray marker BV, up to 320 mm applicators, uncoded



Optional Components and Accessories		
1	GM11008570	Flexible implant tubes, double leader, 530 mm, sterile, single use, set of 3
1	GM11008580	Flexible implant tubes, blind-end, 530 mm, sterile, single use, set of 3
1	GM11003740	Red clamping button, 9.5 mm diameter, non-sterile (pack of 50)
1	GM11003850	Green clamping button, 9.5 mm diameter, non-sterile (pack of 50)
1	GM11003760	Blue clamping button, 9.5 mm diameter, non-sterile (pack of 50)
1	GM11003690	Yellow clamping button, 9.5 mm diameter, non-sterile (pack of 50)
1	GM11003780	Violet clamping button, 9.5 mm diameter, non-sterile (pack of 50)
1	GM11003790	White clamping button, 9.5 mm diameter, non-sterile (pack of 50)
1	GM11003800	Universal fixation button, radiopaque, non-sterile (pack of 100)
1	GM11010520	Leak stop channel marker set, 13-24
1	GM11003040	Pushing device for implant needle, 1.7 mm diameter
1	GM11002820	Pushing device for implant needle, $\varnothing$ 2.2 mm diameter
1	GM11002700	Implant needle, 120 mm, 1.7 mm diameter, straight
1	GM11002930	Implant needle, 120 mm, 1.7 mm diameter, curved
1	GM11006710	Implant needle, 150 mm, 1.7 mm diameter, straight
1	GM11006720	Implant needle, 150 mm, 1.7 mm diameter, curved
1	GM11006730	Implant needle, 150 mm, 2.2 mm diameter, straight
1	GM11006740	Implant needle, 150 mm, 2.2 mm diameter, curved
1	GM11006670	Length cutting gauge for 500 mm implant tubes
1	GM11009620	X-ray marker BV set I, up to 320 mm applicators, coded 1 – 6
1	GM11009630	X-ray marker BV set II, up to 320 mm applicators, coded 7 – 12
1	GM11009670	X-ray marker BV set I, up to 500 mm applicators, coded 1 – 6
1	GM11009680	X-ray marker BV set II, up to 500 mm applicators, coded 7 – 12
**	GM11006650	Source guide tube with locking mechanism, 500 mm interstitial tube
1	GM11001390	Source guide tube support (Bravos and GammaMed $plus$ units only)
1	GM11012340	Needle box (needle sterilization)

*\*Quantity included with the kit. Quantity associated with each part number is one (1) unless otherwise indicated in the product description.*

*\*\*Choose desired quantity - one per channel.*



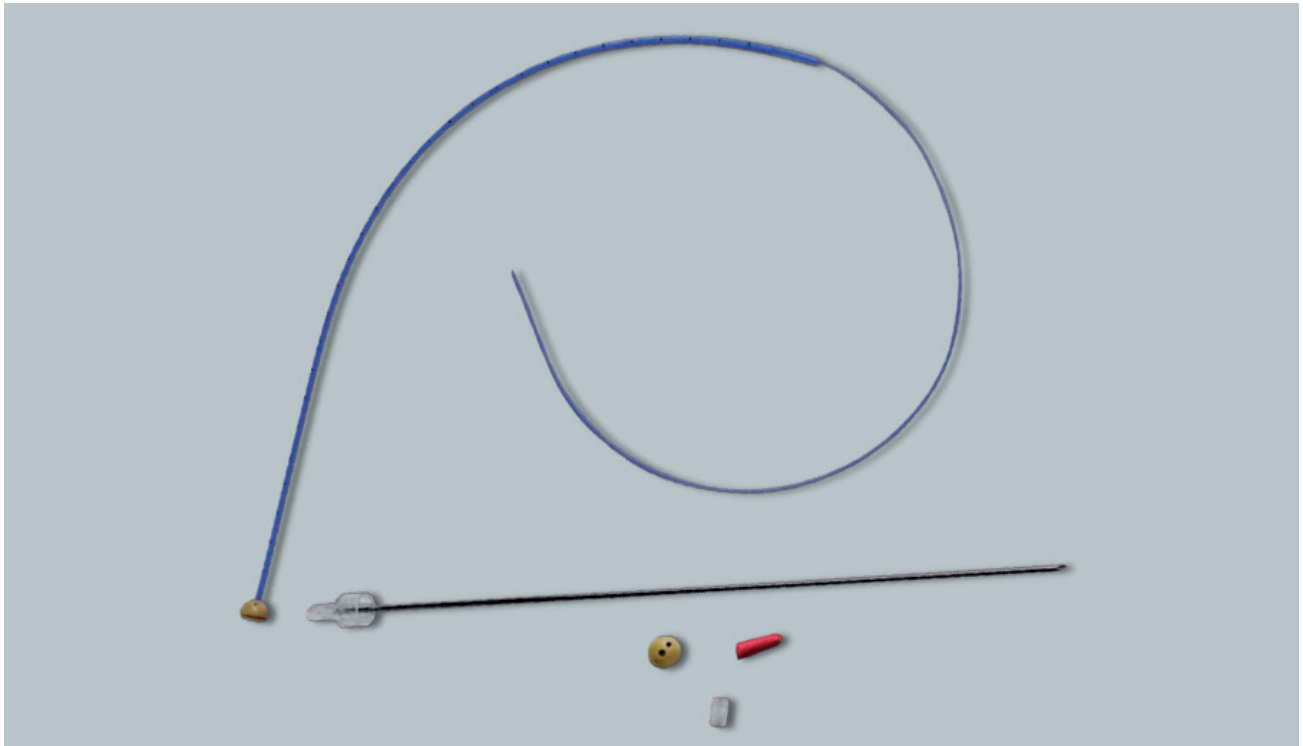
# Interstitial/Breast Catheter Kits

## AL130550XX

CT Compatible

**Intended for:** HDR or PDR brachytherapy

**Afterloader:** BRAVOS™ / GammaMedplus™ Series / VariSource™ Series



The Interstitial/Breast Catheter Kits is used for interstitial high dose rate treatment of the breast or head and neck. The kit conveniently contains a set of five catheters and all associated components such as buttons and implant needles. The 6 French catheters have a drawn down section at the end which is used with the supplied Implant needle to facilitate Insertion of the catheter Into the tissue. In order to help prevent kinking or damage, the catheters contain a nylon buttons or radiopaque buttons. The radiopaque buttons provide optimal X-ray verification of the flexible tubes. Both buttons feature a "half moon" profile for Improved patient comfort. The kit is supplied sterile and double wrapped for or use.

- Suitable for breast, tongue and head and neck
- CT Compatible
- Contains all required Items: catheters, needles, buttons and caps
- Five needles to allow all needles to be placed prior to catheter Insertion
- "Half moon" buttons for Improved patient comfort
- 6 French catheter/17 gauge, 20cm Implant needles
- Available with radiopaque or nylon buttons
- Supplied sterile and for single use

## Choose the button type and catheter color to include with your kits (this determines the kit number)

AL13055000	Radiopaque nylon half moon buttons, clear catheter
AL13055001	Radiopaque nylon half moon buttons, green catheter
AL13055002	Radiopaque nylon half moon buttons, blue catheter
AL13055003	Radiopaque nylon half moon buttons, purple catheter
AL13055010	Nylon half moon buttons, clear catheter
AL13055011	Nylon half moon buttons, green catheter
AL13055012	Nylon half moon buttons, blue catheter
AL13055013	Nylon half moon buttons, purple catheter

## Qty.\* Product # Components of the Applicator Set

5	See above	6 Fr., 30 cm afterloading single leader catheters with filaments and buttons
5		17 gauge, 20 cm implant needles
5		Obturators
5		Friction cups
5		Cleaning caps, red

## Required and Recommended Accessories, BRAVOS (if not already purchased)

**	GM11011860	Transfer guide tube for 113 mm catheters
**	GM11011870	Transfer guide tube for 200 mm catheters
**	GM11011880	Transfer guide tube for 250 mm catheters
**	GM11011890	Transfer guide tube for 320 mm catheters
**	GM11011910	Transfer guide tube, 1000 mm for catheters (for non-standard treatment length)
1	GM11011800	Length assessment device
1	GM11009640	X-ray marker BV, set I, 200mm, coded 1-6
1	GM11009620	X-ray marker BV, set I, 320mm, coded 1-6
1	GM11003810	Leak stop channel marker set, 1-12 (pack of 25)

Required and Recommended Accessories, GammaMedplus Series (if not already purchased)		
**	GM11000460	Source guide tube with locking mechanism, 113 mm interstitial tube, GammaMedplus
**	GM11000370	Source guide tube with locking mechanism, 200 mm interstitial tube, GammaMedplus
**	GM11010020	Source guide tube with locking mechanism, 250 mm interstitial tube, GammaMedplus
**	GM11000310	Source guide tube with locking mechanism, 320 mm interstitial tube, GammaMedplus
**	GM11006650	Source guide tube with locking mechanism, 500 mm interstitial tube, GammaMedplus
**	GM11010000	Length cutting gauge for 113 mm implant tubes
**	GM11010010	Length cutting gauge for 200 mm implant tubes
**	GM11010030	Length cutting gauge for 250 mm implant tubes
**	GM11010040	Length cutting gauge for 320 mm implant tubes
1	GM11000330	Length gauge, GammaMedplus
1	GM11009640	X-ray marker BV, set I, 200mm, coded 1-6
1	GM11009620	X-ray marker BV, set I, 320mm, coded 1-6
1	GM11003810	Leak stop channel marker set, 1-12 (pack of 25)
Required and Recommended Accessories, VariSource Series (if not already purchased)		
Refer to the Instruction For Use (IFU) for AL130550XX		
Optional Components and Accessories		
1	GM11009650	X-Ray Marker BV set II, 200 mm, coded 7-12
1	GM11009630	X-Ray Marker BV set II, 320 mm, coded 7-12
1	GM11010520	Leak stop channel marker set, 13-24
1	GM11001390	Source guide tube support

*\*Quantity included with the kit. Quantity associated with each part number is one (1) unless otherwise indicated in the product description.*

*\*\*Choose desired quantity - one per channel.*



# Intraluminal Applicators







# Table of Contents

## Intraluminal Applicators

Product #	Description	
GM11008880	Esophagus Bougie Set	107
GM11000620	Intraluminal Applicator Set	109
Series	Standard Catheters	111

Some products not available in all markets. Please contact your local representative for specific product registration status in your country.



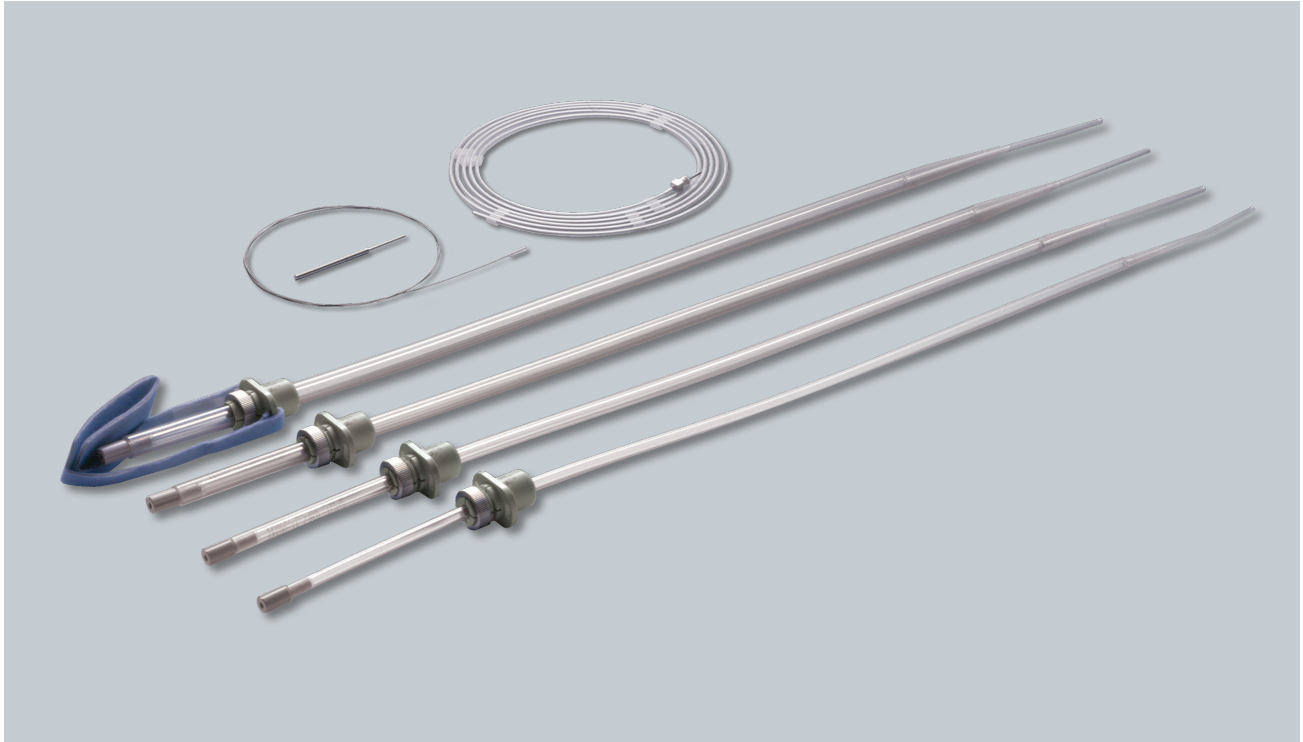
# Esophagus Bougie Set

## GM11008880

CT Compatible

**Intended for:** HDR Intraluminal brachytherapy of the esophagus

**Afterloader:** BRAVOS / GammaMed*plus*™ Series / VariSource™ Series



The Esophagus Bougie Set is used to treat cancer of the esophagus. The special design optimizes the distance from the source to the tissue being treated. The set requires a 3.2 diameter catheter to center the source position in the bougie. The set also includes a bite-protector and fixation plate, a fixation plate with band for each bougie diameter, and a guiding wire to easily insert the bougie into position.

- Suitable for esophagus
- CT Compatible
- Equipped with a variety of bougie diameters which provide optimal distance from the source to the tissue being treated
- 3.2 mm diameter inner catheter enables centered source positioning in the bougie
- Uses the Seldinger guide wire technique to allow for easy esophageal insertion
- Includes radiopaque X-ray markers for easy identification either during fluoroscopy or on X-rays
- Includes bite protector and fixation
- High level disinfection only

Qty.*	Product #	Components of the Applicator Sets
1	GM11007410	Esophagus bougie, 8 mm diameter, with bite protector and fixation
1	GM11007420	Esophagus bougie, 10 mm diameter, with bite protector and fixation
1	GM11007430	Esophagus bougie, 12 mm diameter, with bite protector and fixation
1	GM11007440	Esophagus bougie, 14 mm diameter, with bite protector and fixation
4	GM11003170	Strap for fixation mask and bite protector bougie
1	GM11004720	Cleaning set for esophagus bougie
<b>Required Accessories – BRAVOS</b>		
1	GM11009750	Tube catheter, 3.2 mm diameter, Bravos
1	GM11011800	Length assessment device
<b>Required and Recommended Accessories, GammaMed<math>plus</math> Series (if not already purchased)</b>		
1	GM11000400	Tube catheter, 3.2 mm diameter, GammaMed $plus$
1	GM11009610	X-ray marker BV, up to 1300 mm catheters, uncoded
1	GM11000330	Length gauge, GammaMed $plus$
<b>Required and Recommended Accessories, VariSource Series (if not already purchased)</b>		
Refer to the Instruction For Use (IFU) for AL130550XX		
<b>Optional Components and Accessories</b>		
1	GM11007450	Bite protector, 8 mm diameter
1	GM11007460	Bite protector, 10 mm diameter (with strap)
1	GM11007470	Bite protector, 12 mm diameter (with strap)
1	GM11007480	Bite protector, 14 mm diameter (with strap)
1	GM11007490	Clamping screw with fixation nut for bougies
1	GM11001390	Source guide tube support (for GM and Bravos only)

*\*Quantity included with the kit. Quantity associated with each part number is one (1) unless otherwise indicated in the product description.*

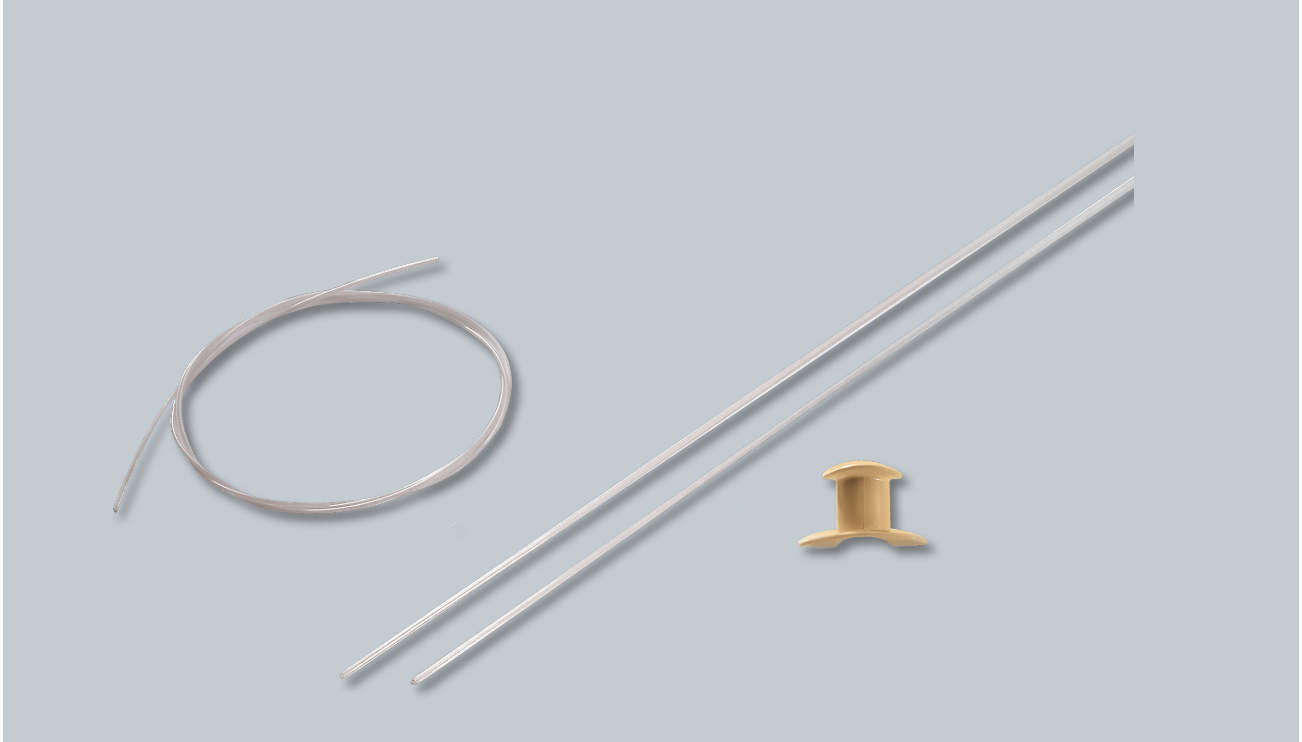
# Intraluminal Applicator Set

## GM11000620

CT Compatible / MR Compatibility: Safe

**Intended for:** HDR Intraluminal brachytherapy

**Afterloader:** BRAVOS™ / GammaMedplus™ Series



Each Intraluminal Applicator Set is used for the treatment of body sites allowing the insertion of this 5 French catheter. Although often used for endobronchial treatments and introduced through a 2 mm channel bronchoscope. The catheter is also suitable for treatments of the esophagus (using a guide tube), and the bile duct. The catheter is manufactured using material offering ample flexibility is sufficiently stiff to avoid kinks. The set includes 2.8 mm diameter spacing tubes as well as a bite protector.

- Suitable for treating body sites allowing insertion of a catheter
- CT Compatible
- MR Compatibility: Safe
- Fits 2 mm diameter bronchoscope biopsy channel allowing for easy insertion
- Elastomer construction provides increased flexibility for easy placement and luminal rigidity to avoid kinks
- Nylon monofil adds luminal stability during catheter insertion and manipulation
- Comes with 2.8 mm spacing tubes which minimize surface dose
- Spacing tubes enable secure placement during treatment
- Catheter and monofil supplied sterile and for single use

Qty.*	Product #	Components of the Applicator Set
10	GM11000530	Bronchial catheter, 5 Fr., sterile, GammaMed <i>plus</i>
2	GM11003180	Guide tube, 2.8 mm diameter, length 900 mm, front open
1	GM11006270	Monofil, $\varnothing$ 0.8 mm diameter, for bronchial catheter, sterile
1	GM11011470	Bite protector for intraluminal applicators
<b>Required and Recommended Accessories, BRAVOS (if not already purchased)</b>		
2	GM11009540	Clamping adapter for 5 Fr (1.67mm) catheter, BRAVOS
1	GM11011800	Length assessment device
**	GM11009660	X-ray marker BV set intraluminal, up to 1300mm length
<b>Required and Recommended Accessories, GammaMed<i>plus</i> Series (if not already purchased)</b>		
2	GM11000470	Clamping adapter for 5 Fr (1.67mm), bronchial catheter, GammaMed <i>plus</i>
1	GM11000160	Length cutting gauge for 5 Fr. bronchial catheter
1	GM11000330	Length gauge
**	GM11009660	X-ray marker BV set intraluminal, up to 1300mm length
<b>Optional Components and Accessories</b>		
1	GM11003070	Guiding tube, 4.5 mm diameter x 700 mm length, front open
1	GM11006270	Monofil, 0.8mm, sterile
1	GM11000390	Tube catheter, 2.8 mm diameter, GammaMed <i>plus</i>

*\*Quantity included with the kit. Quantity associated with each part number is one (1) unless otherwise indicated in the product description.*

*\*\*Choose desired quantity - one per channel.*

# Standard Catheters

## Series

CT Compatible / MR Compatibility: Safe (plastic tipped version); Unsafe (metal tipped version)

**Intended for:** HDR intraluminal brachytherapy

**Afterloader:** VariSource™ Series



The Standard Catheters are used for treating tumor sites where catheter access is required such as intraluminal diseases like endobronchial carcinoma. The 1.6 mm diameter catheter can be readily inserted into a small lumen. Two versions of the standard catheter exist, one with a metal tip and one with a plastic tip. The metal tip version has at its distal end a small tungsten marker for easy visualization under fluoroscopy.

- Suitable for treating tumor sites where catheter access is required
- CT Compatible
- MR Compatibility: Safe, plastic tipped version; unsafe, metal tipped version
- Available in 100 cm or 150 cm lengths
- Relatively thick catheter walls make it more robust and kink resistant
- Can be readily inserted into a small lumen
- Both versions of the catheter are intended for single use only
- May be inserted into body cavities or through tissue by means of a trocar
- Plasma sterilizable

Standard Catheter Set – CT Compatible / MR Compatibility: Safe (plastic tipped version);  
Unsafe (metal tipped version)

Qty.*	Product #	Components of the Applicator Set
1	AL13112000	4.7 Fr. metal-tipped catheter, 100 cm, PTFE and tungsten marker embedded
1	AL13112001	4.7 Fr. metal-tipped catheter, 100 cm, PTFE and tungsten marker embedded, pack of 10
1	AL13112002	4.7 Fr. metal-tipped catheter, 100 cm, PTFE and tungsten marker embedded, pack of 20
1	AL13113000	4.7 Fr. plastic-tipped catheter, 100 cm, PTFE
1	AL13113001	4.7 Fr. plastic-tipped catheter, 100 cm, PTFE, pack of 10
1	AL13113002	4.7 Fr. plastic-tipped catheter, 100 cm, PTFE, pack of 20
1	AL13114000	4.7 Fr. metal-tipped catheter, 150 cm, PTFE and tungsten marker embedded
1	AL13114001	4.7 Fr. metal-tipped catheter, 150 cm, PTFE and tungsten marker embedded, pack of 10
1	AL13114002	4.7 Fr. metal-tipped catheter, 150 cm, PTFE and tungsten marker embedded, pack of 20
1	AL13115000	4.7 Fr. plastic-tipped catheter, 150 cm, PTFE
1	AL13115001	4.7 Fr. plastic-tipped catheter, 150 cm, PTFE, pack of 10
1	AL13115002	4.7 Fr. plastic-tipped catheter, 150 cm, PTFE, pack of 20
Required Accessories		
1	AL12500000	Quick connect, VariSource 200

*\*Quantity included with the kit. Quantity associated with each part number is one (1) unless otherwise indicated in the product description.*







# Surface Applicators





# Table of Contents

## Surface Applicators

Product #	Description	
GM11004440	Mould Applicator Set	119
GM11004370	Catheter Flap Set	121
GM11004590	Surface Applicator Set	123
GM11010080	Surface Applicator Set with Leipzig-style Cone	125

Some products not available in all markets. Please contact your local representative for specific product registration status in your country.



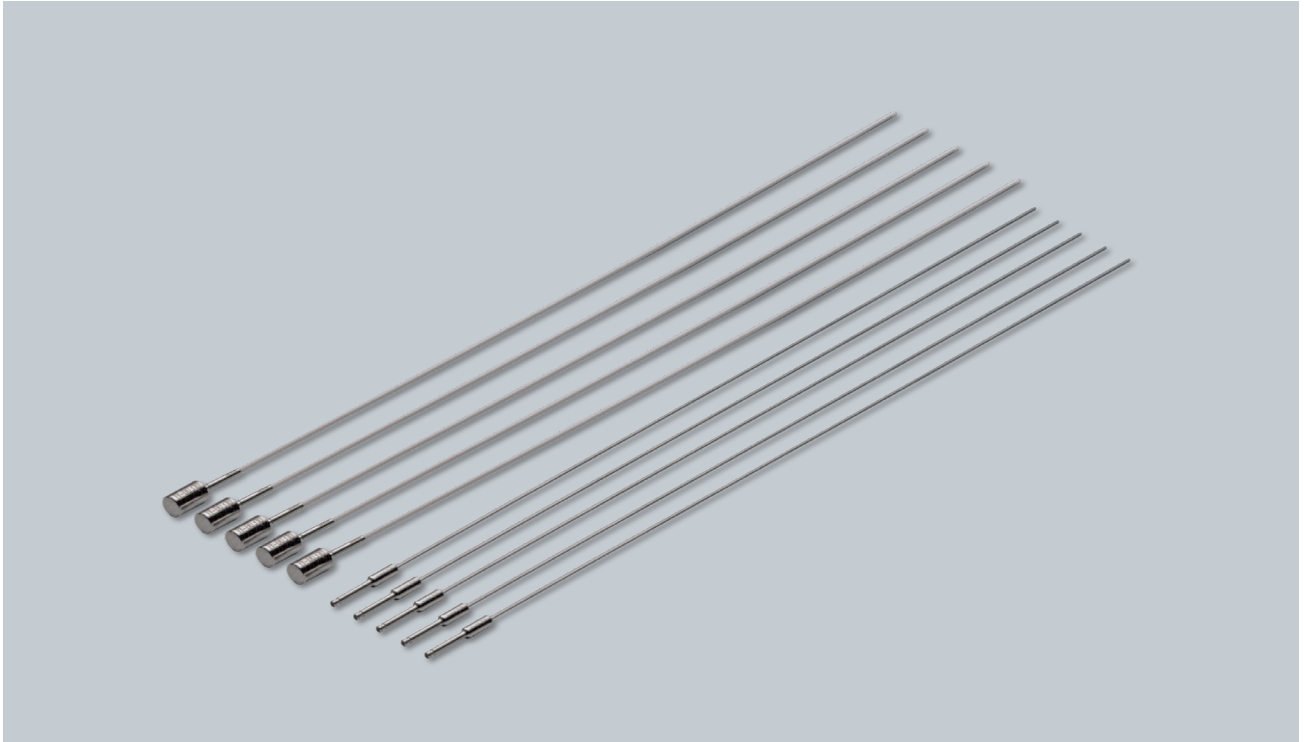
# Mould Applicator Set

## GM11004440

CT Compatible / MR Conditional: 1.5 and 3.0 Tesla

**Intended for:** HDR or PDR intraoperative and superficial brachytherapy

**Afterloader:** BRAVOS™ / GammaMedplus™ Series



The Mould Applicator Set is used for intraoperative, interstitial, or intraluminal brachytherapy. The 320 mm length and ample flexibility combine to provide optimal adaptation to a patient's anatomy.

- Suitable for intraoperative, interstitial, or intraluminal brachytherapy
- CT Compatible
- MR Compatibility: Conditional for 1.5 and 3 Tesla, if used without mandrins
- Mould probes of 2.8 mm diameter (reusable) and 1.84 mm diameter (disposable)
- Equipped with stabilizing mandrins for easy insertion
- Elastomer material construction provides increased flexibility for easy placement as well as luminal rigidity in order to help prevent kinks.
- Steam sterilizable

Qty.*	Product #	Components of the Applicator Set
5	GM11002290	Mould probe, 1.84 mm diameter x 320 mm with mandrin
5	GM11002280	Mould probe, 2.8 mm diameter x 320 mm
1	GM11003810	Leak stop buttons, non-sterile, pack of 50
4	GM11010770	Cleaning caps, dark blue (pack of 25)
<b>Required and Recommended Accessories, BRAVOS (if not already purchased)</b>		
**	GM11010800	Transfer guide tube for 320 mm applicators
**	GM11010870	Transfer guide tube, 1000 mm length for applicators (for non-standard treatment length)
1	GM11011800	Length assessment device
**	GM11009600	X-ray marker BV, up to 320 mm applicators, uncoded
<b>Required and Recommended Accessories, GammaMedplus Series (if not already purchased)</b>		
**	GM11000340	Source guide tube with locking mechanism for 320 mm applicators, GammaMedplus
**	GM11009600	X-ray marker BV, up to 320 mm applicators, uncoded
1	GM11000330	Length gauge, GammaMedplus
<b>Optional Components and Accessories</b>		
1	GM11003740	Red buttons, 9.5 mm diameter, non-sterile, pack of 50
1	GM11003850	Green buttons, 9.5 mm diameter, non-sterile, pack of 50
1	GM11003760	Blue buttons, 9.5 mm diameter, non-sterile, pack of 50
1	GM11003690	Yellow buttons, 9.5 mm diameter, non-sterile, pack of 50
1	GM11003780	Violet buttons, 9.5 mm diameter, non-sterile, pack of 50
1	GM11003790	White buttons, 9.5 mm diameter, non-sterile, pack of 50
1	GM11003800	Universal fixation buttons, radiopaque, non-sterile, pack of 100
1	GM11010510	Leak stop channel marker set, 1-12
1	GM11010520	Leak stop channel marker set, 13-24
1	GM11009620	X-ray marker BV set I, up to 320 mm applicators, coded 1-6
1	GM11009630	X-ray marker BV set II, up to 320 mm applicators, coded 7-12
1	GM11001390	Source guide tube support (Bravos and GammaMedplus units only)

\*Quantity included with the kit. Quantity associated with each part number is one (1) unless otherwise indicated in the product description.

\*\*Choose desired quantity - one per channel.



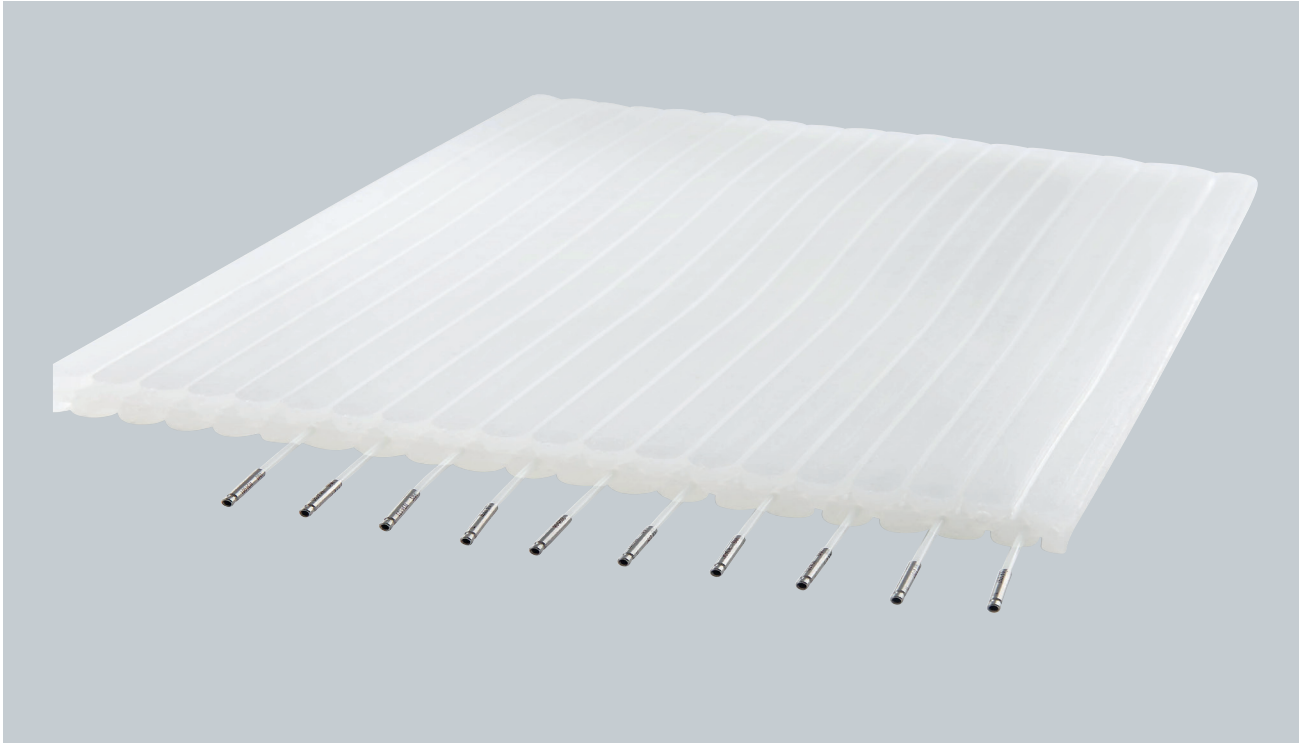
# Catheter Flap Set

## GM11004370

CT Compatible / MR Conditional: 1.5 and 3.0 Tesla

**Intended for:** HDR or PDR superficial brachytherapy

**Afterloader:** BRAVOS™ / GammaMed*plus*™ Series



The Catheter Flap Set is used for treatment of superficial cancers. It is designed to create a defined space between the source and the tissue, and between the source channels. The highly flexible material easily adapts to complex anatomical regions. The delivery size of the flap is 200 x 290 x 10 mm and can be reduced as needed. The catheter channels are 2 mm in diameter and are positioned on the middle axis of the flap.

- Suitable for skin/surface applications
- CT Compatible / MR Conditional: 1.5 and 3.0 Tesla, when all metal parts are removed
- Flap is engineered to provide a consistent and defined space between the source and the tissue
- Flexible material easily adapts to uneven surfaces
- Large size of 200 x 290 x 10 mm can be cut to the required size
- Steam sterilizable

Qty.*	Product #	Components of the Applicator Set
1	GM11003910	Catheter flap, 200 x 290 x 10 mm, 40 channels
10	GM11002290	Mould probe, 1.84 mm diameter, 320 mm length with mandrin
1	GM11010510	Leak stop channel marker Set, 1-12
1	GM11003800	White fixation buttons, radiopaque, non-sterile, pack of 100
1	GM11003810	Leak stop buttons, non-sterile, pack of 50
4	GM11010770	Cleaning Cap, dark blue, (Pack of 25)
<b>Required and Recommended Accessories, BRAVOS (if not already purchased)</b>		
**	GM11010800	Transfer guide tube for 320 mm applicators
**	GM11010870	Transfer guide tube, 1000 mm length for applicators (for non-standard treatment length)
1	GM11011800	Length assessment device
1	GM11009620	X-ray marker BV set I, up to 320 mm applicators, coded 1-6
1	GM11009630	X-ray marker BV set II, up to 320 mm applicators, coded 7-12
<b>Required and Recommended Accessories, GammaMedplus Series (if not already purchased)</b>		
**	GM11000340	Source guide tube with locking mechanism for 320 mm applicators, GammaMedplus
1	GM11009620	X-ray marker BV set I, up to 320 mm applicators, coded 1-6
1	GM11009630	X-ray marker BV set II, up to 320 mm applicators, coded 7-12
1	GM11000330	Length gauge, GammaMedplus
<b>Optional Components and Accessories</b>		
**	GM11000530	Bronchial catheters, 5Fr, sterile, GammaMedplus
**	GM11000470	Clamping adapters for 5Fr. bronchial catheter, GammaMedplus
**	GM11006270	Monofil, 0.8 mm diameter, sterile, for bronchial catheters
1	GM11001390	Source guide tube support (Bravos and GammaMedplus units only)
1	GM11000160	Length cutting gauge for 5Fr. bronchial catheter
**	GM11009610	X-ray marker BV, up to 1300 mm catheters length, uncoded
1	GM11003220	Cleaning Caps, black (pack of 20)
1	GM11003330	Cleaning Caps, grey (pack of 20)

\*Quantity included with the kit. Quantity associated with each part number is one (1) unless otherwise indicated in the product description.

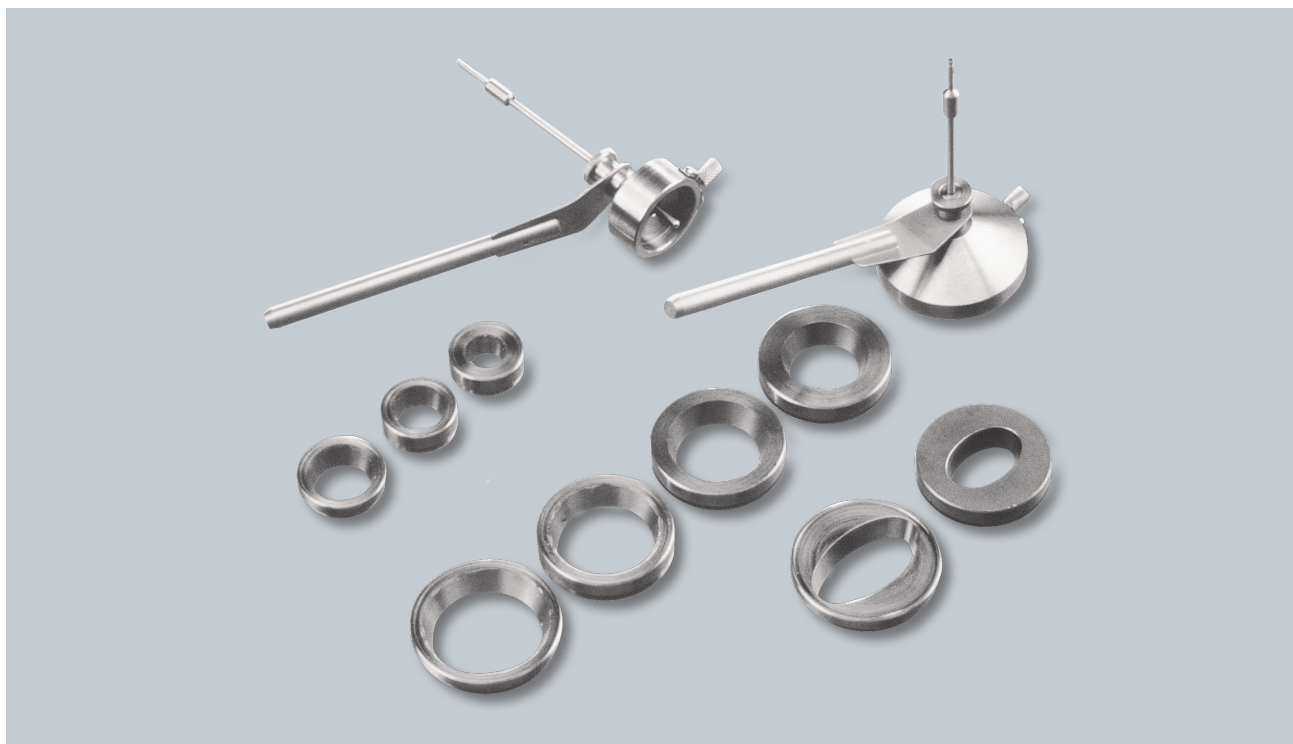
\*\*Choose desired quantity - one per channel.

# Surface Applicator Set

**GM11004590**

**Intended for:** HDR superficial brachytherapy

**Afterloader:** BRAVOS™ /GammaMedplus™ Series



The Surface Applicator Set is intended for treatment of small skin tumors or other superficial disease (such as keloid formations) with HDR brachytherapy. The source tube enters the cones perpendicular to the treatment area (vertical).

- Suitable for skin/surface applications
- Equipped with a variety of insets which allow for optimal dose adaptation to the target area
- Requires disinfection only
- Modeled in the Brachy Vision's Solid Applicator Library for calculation with Acuros BV

Qty.*	Product #	Components of the Applicator Set
1	GM11003410	Shielding for cone, ø15-25 mm, with fixation
1	GM11003570	Surface cone inset, ø15 mm, round
1	GM11003680	Surface cone inset, ø20 mm, round
1	GM11003590	Surface cone inset ø25 mm, round
1	GM11003580	Shielding for cone, ø30-45 mm, with fixation
1	GM11003520	Surface cone inset, ø30 mm, round
1	GM11003610	Surface cone inset, ø35 mm, round
1	GM11003620	Surface cone inset, ø40 mm, round
1	GM11003630	Surface cone inset, ø45 mm, round
1	GM11003640	Surface cone inset, ø30 mm x 20 mm, oval
1	GM11003650	Surface cone inset, ø45 mm x 25 mm, oval
4	GM11010770	Cleaning Cap, dark blue (pack of 25)
Qty.*	Product #	Required and Recommended Accessories, BRAVOS (if not already purchased)
**	GM11010840	Transfer guide tube for 113 mm applicators
**	GM11010870	Transfer guide tube, 1000 mm length for applicators (for non-standard treatment length)
1	GM11011800	Length assessment device
Required and Recommended Accessories, GammaMedplus Series (if not already purchased)		
1	GM11000520	Source guide tube with locking mechanism for 113 mm needles, GammaMed $plus$
1	GM11000330	Length gauge, GammaMed $plus$
Optional Components and Accessories		
1	GM11001390	Source guide tube support (Bravos and GammaMed $plus$ units only)
1	GM11008700	Universal clamping device
1	GM11010170	Leipzig-style Cone for inset 30-45 mm diameter, with holder and guide

\*Quantity included with the kit. Quantity associated with each part number is one (1) unless otherwise indicated in the product description.

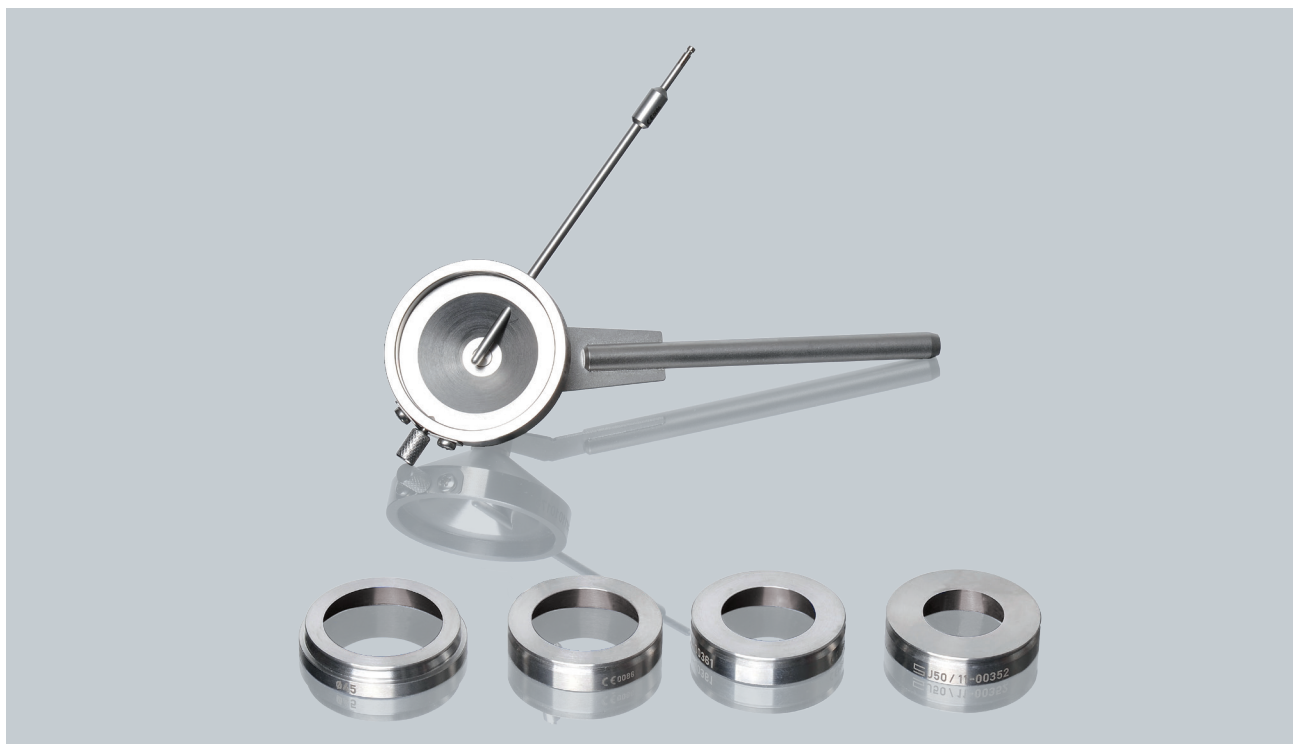
\*\*Choose desired quantity - one per channel.

# Surface Applicator Set with Leipzig-style Cone

**GM11010080**

**Intended for:** HDR superficial brachytherapy

**Afterloader:** BRAVOS™ / GammaMedplus™ Series / VariSource™ Series



The Surface Applicator Set with Leipzig-style Cone is intended for treatment of small skin tumors or other superficial disease (such as keloid formations) with HDR brachytherapy. The source tube enters the cone parallel to the treatment area (horizontal).

- Suitable for skin/surface applications
- Equipped with multiple insets which allow for optimal dose adaptation to the target area
- Requires disinfection only
- Modeled in the BrachyVision's solid applicator library for calculation with Acuros BV

Qty.*	Product #	Components of the Applicator Set
1	GM11010170	Leipzig-style Cone for inset 30-45 mm diameter, with holder and guide
1	GM11003520	Surface cone inset 30 mm diameter, round
1	GM11003610	Surface cone inset 35 mm diameter, round
1	GM11003620	Surface cone inset 40 mm diameter, round
1	GM11003630	Surface cone inset 45 mm diameter, round
4	GM11010770	Cleaning cap, dark blue (pack of 25)
<b>Required and Recommended Accessories, BRAVOS (if not already purchased)</b>		
**	GM11010840	Transfer guide tube for 113 mm applicators
**	GM11010870	Transfer guide tube, 1000 mm length for applicators (for non-standard treatment length)
1	GM11011800	Length assessment device
<b>Required and Recommended Accessories, GammaMedplus Series (if not already purchased)</b>		
1	GM11000520	Source guide tube with locking mechanism for 113 mm needles, GammaMed $plus$
1	GM11000330	Length gauge, GammaMed $plus$
<b>Required and Recommended Accessories, VariSource Series (if not already purchased)</b>		
Refer to the Instruction For Use (IFU) for GM11010080		
<b>Optional Components and Accessories</b>		
1	GM11008700	Universal applicator clamping device
1	GM11001390	Source guide tube support (Bravos and GammaMedplus units only)

\*Quantity included with the kit. Quantity associated with each part number is one (1) unless otherwise indicated in the product description.

\*\* Chose desired quantity, one per channel.







# Accessory Kits





# Table of Contents

## Accessory Kits for GammaMed*plus*

Product #	Description	
GM11008210 GM11008310	Accessory Kits for GammaMed <i>plus</i> Intracavitary/GYN Applicators	133
GM11008670 GM11008650 GM11008660 GM11008320	Accessory Kits for GammaMed <i>plus</i> Interstitial Applicators	135
GM11008340 GM11008220	Accessory Kits for GammaMed <i>plus</i> for Intraluminal Applicators	137

Some products not available in all markets. Please contact your local representative for specific product registration status in your country.



# Accessory Kits for GammaMed<sup>plus</sup> Intracavitary/GYN Applicators

## GM11008210 / GM11008310

Afterloader: GammaMed<sup>plus</sup>™ Series

Many Varian intracavitary applicators use the same set of accessories. The following accessory kits make ordering easier and help prevent ordering duplicate spare parts. You will find the kit number listed in the required accessories section for each applicator set in this chapter.

Qty.*	GM11008210	Basic Accessory Kit for Intracavitary / GYN Applicators, GammaMed <sup>plus</sup> Series
3	GM11000340	Source guide tube with locking mechanism for 320 mm applicators, GammaMed <sup>plus</sup>
1	GM11008960	Source guide tube with locking mechanism for 250 mm needles
3	GM11009600	X-ray marker for 320 mm applicators, 0.9 mm diameter, uncoded, GammaMed <sup>plus</sup>
2	GM11003340	Mandrin for 113 mm length
1	GM11000330	Length gauge
2	GM11002800	Tool for vaginal cylinders
5	GM11003220	Cleaning caps, black (pack of 20)
5	GM11003330	Cleaning caps, grey (pack of 20)
Qty.*	GM11008310	Complete Kit for Heyman Packing Applicator & Catheter Flap Sets, GammaMed <sup>plus</sup> Series (in addition to Kit GM11008210)
9	GM11000340	Source guide tube with lock mechanism for 320 mm applicators, GammaMed <sup>plus</sup>
1	GM11009620	X-ray marker BV set I, up to 320 mm applicators, 0.9 mm diameter, coded 1-6
1	GM11009630	X-ray marker BV set II, up to 320 mm applicators, 0.9 mm diameter, coded 7-12
2	GM11003270	Mandrin for 200 mm length
2	GM11003810	Leak stop buttons, non-sterile, pack of 50
2	GM11003220	Cleaning caps, black (pack of 20)
2	GM11003330	Cleaning caps, grey (pack of 20)

*\*Quantity included with the kit. Quantity associated with each part number is one (1) unless otherwise indicated in the product description.*



# Accessory Kits for GammaMed $plus$ Interstitial Applicators

## GM11008670 / GM11008650 / GM11008660 / GM11008320

**Afterloader:** GammaMed $plus$ ™ Series

Many Varian interstitial applicators use the same set of accessories. The following accessory kits make ordering easier and help prevent ordering duplicate spare parts. You will find the kit number listed in the required accessories section for each applicator set in this chapter.

Qty.*	GM11008670	Basic Accessory Kit for Interstitial Applicators, GammaMed $plus$ Series
1	GM11000330	Length gauge, GammaMed $plus$
3	GM11000520	Source guide tube with locking mechanism for 113 mm needle, GammaMed $plus$
6	GM11000320	Source guide tube with locking mechanism for 200 mm needle, GammaMed $plus$
1	GM11009640	X-ray marker BV set I, up to 200mm needles, 0.9 mm diameter, coded 1-6
1	GM11010510	Leak stop channel marker Set, 1-12
1	GM11003810	Leak stop buttons, non-sterile, pack of 50
1	GM11002370	Allen wrench, 2.5 mm wrench size, suitable for autoclave sterilization
5	GM11003220	Cleaning caps, black (pack of 20)
5	GM11003330	Cleaning caps, grey (pack of 20)
10	GM11003270	Mandrin, 200 mm
10	GM11003340	Mandrin, 113 mm
	GM11008650	Complete Accessory Kit for Interstitial Applicators, GammaMed $plus$ Series
1	GM11000330	Length gauge, GammaMed $plus$
6	GM11000520	Source guide tube with locking mechanism for 113 mm needle, GammaMed $plus$
12	GM11000320	Source guide tube with locking mechanism for 200 mm needle, GammaMed $plus$
1	GM11009640	X-ray marker BV set I, up to 200 mm needles, 0.9 mm diameter, coded 1-6
1	GM11009650	X-ray marker BV set II, up to 200 mm needles, 0.9 mm diameter, coded 7-12
1	GM11010510	Leak stop channel marker Set, 1-12
2	GM11003810	Leak stop buttons, non-sterile, pack of 50
2	GM11003820	Clamping button set, radiopaque
1	GM11002370	Allen wrench, 2.5 mm wrench size., suitable for autoclave sterilization
5	GM11003220	Cleaning caps, black (pack of 20)
5	GM11003330	Cleaning caps, grey (pack of 20)
1	GM11001390	Source guide tube support (Bravos and GammaMed $plus$ units only)
20	GM11003270	Mandrin, 200 mm
10	GM11003340	Mandrin, 113 mm

*\*Quantity included with the kit. Quantity associated with each part number is one (1) unless otherwise indicated in the product description.*

## Accessory Kits for Interstitial Applicators

GM11008660 Accessory Kit - "Light" Version for Interstitial Applicators, GammaMed $plus$ Series		
1	GM11000330	Length gauge, GammaMed $plus$
6	GM11007280	Source guide tube "light" with locking mechanism for 113 mm needle, GammaMed $plus$
12	GM11007270	Source guide tube "light" with locking mechanism for 200 mm needle, GammaMed $plus$
1	GM11009640	X-ray marker BV set I, up to 200mm needles, 0.9mm diameter, coded 1-6
1	GM11009650	X-ray marker BV set II, up to 200mm needles, 0.9mm diameter, coded 7-12
1	GM11010510	Leak stop channel marker Set, 1-12
2	GM11003810	Leak stop buttons, non-sterile, pack of 50
5	GM11003820	Clamping button set, radiopaque
1	GM11002370	Allen wrench, 2.5 mm wrench size., suitable for autoclave sterilization
5	GM11003220	Cleaning caps, black (pack of 20)
5	GM11003330	Cleaning caps, grey (pack of 20)
1	GM11001390	Source guide tube support (Bravos and GammaMed $plus$ units only)
20	GM11003270	Mandrin, 200 mm
10	GM11003340	Mandrin, 113 mm
GM11008320 Accessory Kit for Flexible Interstitial Implant Set, GammaMed $plus$ Series		
1	GM11000330	Length gauge, GammaMed $plus$
3	GM11000460	Source guide tube with locking mechanism, 113 mm interstitial tube, GammaMed $plus$
6	GM11000370	Source guide tube with locking mechanism, 200 mm interstitial tube, GammaMed $plus$
3	GM11000310	Source guide tube with locking mechanism, 320 mm interstitial tube, GammaMed $plus$
3	GM11003200	Implant needle, 100mm, 1.7 mm diameter, straight
3	GM11003210	Implant needle, 100mm, 1.7 mm diameter, curved
3	GM11003040	Pushing device for implant needle, 1.7 mm diameter
1	GM11010000	Length cutting gauge, 113 mm for implant tubes and breast applicators up to 6Fr.
1	GM11010010	Length cutting gauge, 200 mm for implant tubes and breast applicators up to 6Fr.
1	GM11010040	Length cutting gauge, 320 mm for implant tubes and breast applicators up to 6Fr.
1	GM11009640	X-ray marker BV set I, up to 200 mm needles, 0.9 mm diameter, coded 1-6
1	GM11009620	X-ray marker BV set I, up to 320 mm applicators, 0.9 mm diameter, coded 1-6
5	GM11003220	Cleaning caps, black (pack of 20)

*\*Quantity included with the kit. Quantity associated with each part number is one (1) unless otherwise indicated in the product description.*



# Accessory Kits for GammaMed $plus$ for Intraluminal Applicators

## GM11008340 / GM11008220

Afterloader: GammaMed $plus$ ™ Series

Qty.*	GM11008340	Basic Accessory Kit for Intraluminal Applicators, GammaMed $plus$ Series
1	GM11000330	Length gauge
1	GM11000160	Length cutting gauge for 5 Fr. bronchial catheter
1	GM11009610	X-ray marker BV, 1300 mm applicators, uncoded
5	GM11006270	Monofil, 0.8 mm diameter, sterile, for bronchial catheters
2	GM11003220	Cleaning caps, black, pack of 20
<b>Accessories for Intraluminal Applicators, VariSource Series</b>		
Refer to the Instruction For Use (IFU) of the applicator set where accessories are needed		
	GM11008220	Complete Accessory Kit for Intraluminal Applicators, GammaMed $plus$ Series
1	GM11000330	Length gauge
1	GM11000160	Length cutting gauge for 5 Fr. bronchial catheter
1	GM11009660	X-ray marker BV set Intraluminal, up to 1300 mm length, coded 1-3
5	GM11006270	Monofil, 0.8 mm diameter, sterile, for bronchial catheters
5	GM11003170	Strap for bite protector bougie
2	GM11003070	Guiding tube, 4.5 mm diameter x 700 mm length, front open
1	GM11002370	Allen key, 2.5 mm wrench size, suitable for autoclave sterilization
2	GM11003220	Cleaning caps, black, pack of 20

*\*Quantity included with the kit. Quantity associated with each part number is one (1) unless otherwise indicated in the product description.*



# Other Applicator Accessories





# Table of Contents

## Other Applicator Accessories

Product #	Description	
Series	Bravos Transfer Guide Tubes	143
Series	GammaMed <i>plus</i> Source Guide Tubes and PDR Quick Connectors	145
GM19001000	VariSource Reusable Transfer Guide Tubes and Quick Connects	149
Series	Marker Wire Products	151
Series	Positioning Accessories (X-ray Marker Wires)	152
Series	Positioning Accessories (Length Gauge & Length Cutting Gauge)	153
Series	Leak Stop Buttons and Leak Stop Channel Markers	154
Series	Measurement Ruler, Marker Wire & Clip	155
GM11011800	Length Assessment Device	156
GM11001430	Wall Holder for Source and Transfer Guide Tubes	157
GM11001960	Flexible Fixation Device for Gynecological Applicators	158
GM11008700	Universal Applicator Clamping Device	160
AL13191000 AL13192000	Reconstruction Jigs	161
GM11010340 GM11010320 GM11012300 GM11012340	Sterilization Boxes	162
GM11010770	Cleaning Cap, dark blue (pack of 25)	164
GM11001320	Emergency Container	165

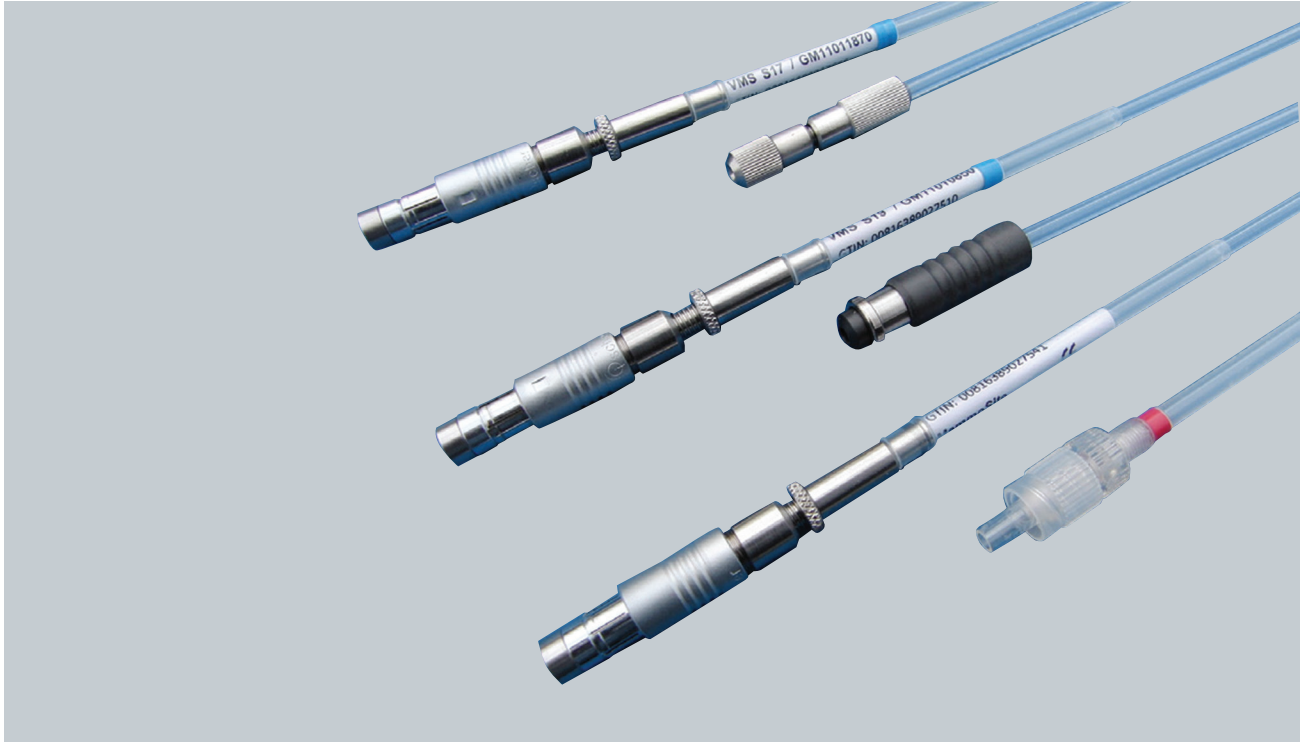
Some products not available in all markets. Please contact your local representative for specific product registration status in your country.



# BRAVOS Transfer Guide Tubes

## Series

Afterloader: BRAVOS™



The BRAVOS Transfer Guide Tubes allow for connection of the afterloader to a range of applicators. (Note: Not compatible with all marketed applicators; for a current matrix of applicators compatible with BRAVOS, visit [myvarian.com](http://myvarian.com))

For a fixed-length treatment delivery, transfer guide tubes are available for different applicator/catheter lengths in the Varian applicator portfolio. For example, if using a 320 mm ClickFit applicator, the transfer guide tube for 320 mm applicators can be used, giving a combined treatment length of 1500 mm. For a variable length treatment delivery, the 1000 mm length transfer guide tubes can be used. The resulting treatment length will be 1000 mm, plus the applicator/catheter length. Three variants of the transfer guide tube (GM11010810, GM11010820, and GM11010830), are mechanically coded on the afterloader end and can only be inserted into the

specified channels (1-3) of the BRAVOS afterloader.

The BRAVOS Luer Transfer Guide Tube allows for quick and easy connection to the single-lumen MammoSite® applicator.

- Fixed-length and variable-length treatment deliveries possible
- Mechanically coded transfer guide tubes for three-channel, 320 mm length ClickFit™ applicators (e.g., tandem and ovoid applicator)
- Luer transfer guide tube for single-lumen MammoSite® applicator
- Catheter transfer guide tubes to connect to open-ended catheters 1.84 to 2.0 mm in outer diameter

Qty.*	Product #	Transfer Guide Tubes for Applicators
1	GM11010800	Transfer guide tube for 320 mm applicators
1	GM11010810	Coded transfer guide tube channel 1 for 320 mm applicators
1	GM11010820	Coded transfer guide tube channel 2 for 320 mm applicators
1	GM11010830	Coded transfer guide tube channel 3 for 320 mm applicators
1	GM11010840	Transfer guide tube for 113 mm applicators
1	GM11010850	Transfer guide tube for 200 mm applicators
1	GM11010860	Transfer guide tube for 250 mm applicators
1	GM11010870	Transfer guide tube, 1000 mm length for applicators (for non-standard treatment length)
Transfer Guide Tubes for Catheters		
1	GM11011860	Transfer guide tube for 113 mm catheters
1	GM11011870	Transfer guide tube for 200 mm catheters
1	GM11011880	Transfer guide tube for 250 mm catheters
1	GM11011890	Transfer guide tube for 320 mm catheters
1	GM11011910	Transfer guide tube, 1000 mm length for catheters
Luer Transfer Guide Tube		
1	GM11010880	Luer transfer guide tube for MammoSite
Clamping adapter for intraluminal		
1	GM11009540	Clamping adapter for 5 Fr (1.67mm) catheter, BRAVOS
Required Accessories		
1	GM11003220	Cleaning caps black (pack of 20)
1	GM11003330	Cleaning caps gray (pack of 20)
1	GM11003360	Cleaning caps black (pack of 20)
Optional Accessories		
1	GM11001430	Wall holder for source and transfer guide tubes
1	GM11001390	Source guide tube support (Bravos and GammaMedplus units only)

*\*Quantity included with the kit. Quantity associated with each part number is one (1) unless otherwise indicated in the product description.*

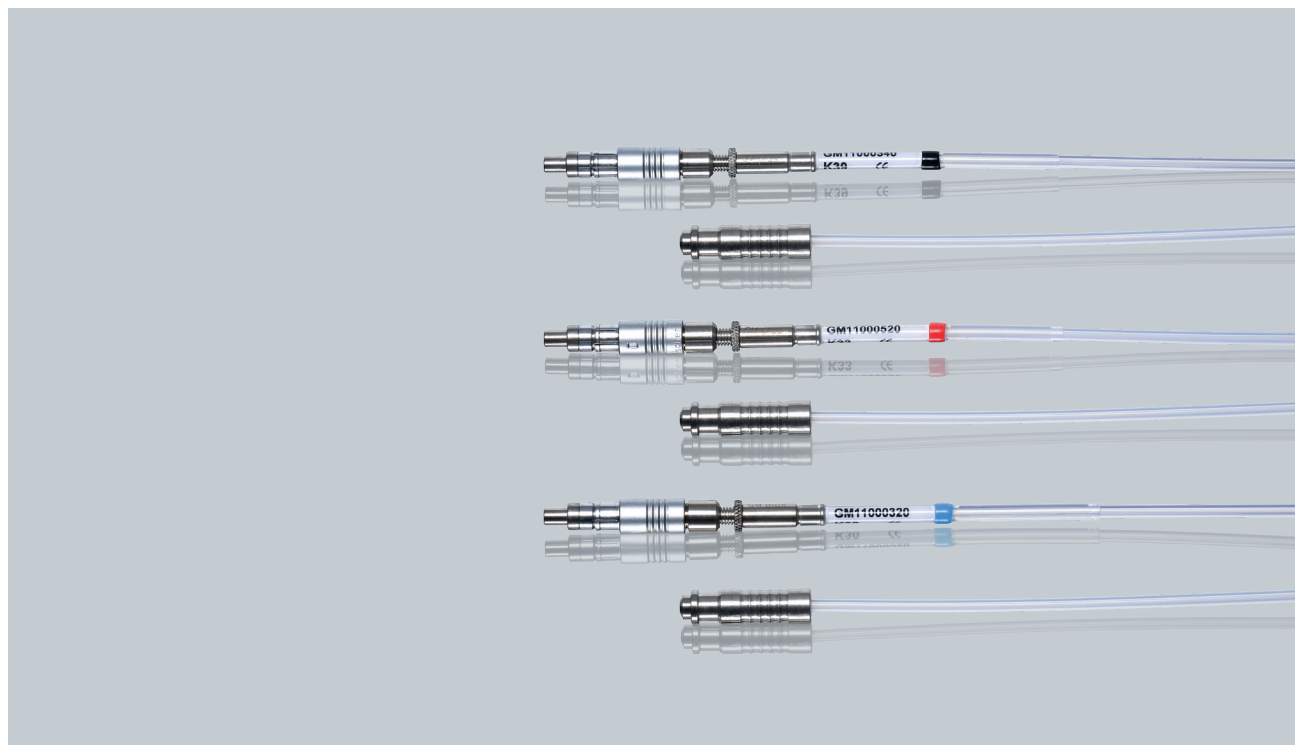


# GammaMed*plus* Source Guide Tubes and PDR Quick Connectors

## Series

**Intended for:** Connection of GammaMed*plus* afterloader to its range of applicators

**Afterloader Systems:** GammaMed*plus*™ Series



The GammaMed*plus* source guide tubes with locking mechanism and the PDR quick connectors enable easy, safe connection of applicator probes, needles and interstitial implant tubes to the afterloader. The source cable is blocked in case of an improper connection at the applicator end. An error message is also generated in case of an improper connection at the afterloader end.

PDR quick connectors also allow the quick connection and disconnection of up to five channels at a time.

The GammaMed*plus* adjustable Luer source guide tube enables easy, safe connection of the single-lumen MammoSite® applicator to the afterloader.

- Attach to applicators with a ClickFit connector
- Lightweight versions available
- Attach to interstitial tubes with an outer diameter of 1.8 mm to 2.0 mm
- Enable the patient to be separated from the device at the PDR quick connector interface, leaving the connecting tubes and applicator with the patient
- Attach to a single-lumen MammoSite® applicator (with adjustable Luer source guide tube)

Qty.*	Product #	Source Guide Tubes for Applicators and Needles
1	GM11000520	Source guide tube with locking mechanism for 113 mm needles, GammaMedplus
1	GM11000320	Source guide tube with locking mechanism for 200 mm needles, GammaMedplus
1	GM11008960	Source guide tube with locking mechanism for 250 mm needles, GammaMedplus
1	GM11000340	Source guide tube with locking mechanism for 320 mm applicators, GammaMedplus
1	GM11007280	Source Guide Tube light with locking mechanism for 113 mm needles, GammaMedplus
1	GM11007270	Source Guide Tube light with locking mechanism for 200 mm needles, GammaMedplus
1	GM11010780	Source Guide Tube light with locking mechanism for 250 mm needles, GammaMedplus
1	GM11010760	Source Guide Tube light with locking mechanism for 320 mm needles, GammaMedplus
1	GM11000380	Source Guide Tube with locking mechanism for Source Step Viewer and PermaDoc, GammaMedplus
Source Guide Tubes for Interstitial Implant Tubes		
1	GM11000460	Source guide tube with locking mechanism for 113 mm interstitial implant tube, GammaMedplus
1	GM11000370	Source guide tube with locking mechanism for 200 mm interstitial implant tube, GammaMedplus
1	GM11010020	Source guide tube with locking mechanism for 250 mm interstitial implant tube, GammaMedplus
1	GM11000310	Source guide tube with locking mechanism for 320 mm interstitial implant tube, GammaMedplus
1	GM11006650	Source guide tube with locking mechanism for 500 mm interstitial implant tube, GammaMedplus
GammaMed Adjustable Luer Source Guide Tube		
1	GM11008680	GammaMed adjustable Luer source guide tube
PDR Quick Connectors		
1	GM11007090	PDR quick connector 01-05, unit side, GammaMedplus
1	GM11007100	PDR quick connector 06-10, unit side, GammaMedplus
1	GM11007110	PDR quick connector 11-15, unit side, GammaMedplus
1	GM11007120	PDR quick connector 16-20, unit side, GammaMedplus
1	GM11007130	PDR quick connector socket 01-05, patient side
1	GM11007140	PDR quick connector socket 06-10, patient side
1	GM11007150	PDR quick connector socket 11-15, patient side
1	GM11007160	PDR quick connector socket 16-20, patient side
Required Accessories for Source Guide Tubes for Applicators and Needles		
1	GM11000330	Length gauge, GammaMedplus
1	GM11003030	Cleaning caps, green (pack of 20)
1	GM11003220	Cleaning caps, black (pack of 20)
1	GM11003330	Cleaning caps, gray (pack of 20)
Required Accessories for Source Guide Tubes for Interstitial Implant Tubes		
1	GM11000330	Length gauge, GammaMedplus
1	GM11003220	Cleaning caps, black (pack of 20)
1	GM11003360	Cleaning caps, black (pack of 20)
Required Accessories for GammaMed Adjustable Luer Source Guide Tube		
1	GM11000330	Length gauge, GammaMedplus
1	GM11003220	Cleaning caps, black (pack of 20)
1	GM11003330	Cleaning caps, gray (pack of 20)

Qty.*	Product #	Required Accessories for PDR Quick Connectors
1	GM11007170	Connecting tube 113 mm needle for PDR quick connector (1 per channel)
1	GM11007180	Connecting tube 200 mm needle for PDR quick connector (1 per channel)
1	GM11007190	Connecting tube 320 mm needle for PDR quick connector (1 per channel)
1	GM11007200	Connecting tube 113 mm interstitial tube for PDR quick connector (1 per channel)
1	GM11007210	Connecting tube 200 mm interstitial tube for PDR quick connector (1 per channel)
1	GM11007220	Connecting tube 320mm interstitial tube for PDR quick connector (1 per channel)
1	GM11007550	Fixation pin
1	GM11003220	Cleaning caps, black (pack of 20)
1	GM11003330	Cleaning caps, gray (pack of 20)
1	GM11003360	Cleaning caps, black (pack of 20)
1	GM11010770	Cleaning caps, dark blue (pack of 25)
1	GM11000330	Length gauge, GammaMed <sup>plus</sup>
Optional Accessories		
1	GM11001430	Wall holder for source and transfer guide tubes
1	GM11001390	Source guide tube support (Bravos and GammaMed <sup>plus</sup> units only)

*\*Quantity included with the kit. Quantity associated with each part number is one (1) unless otherwise indicated in the product description.*



# VariSource Reusable Transfer Guide Tubes and Quick Connects

Afterloader: VariSource



The VariSource Reusable Transfer Guide Tubes and Quick Connects allow for connections to all applicators treated on the VariSource series afterloaders.

The ClickFit connector attaches to ClickFit applicators and is an easy push on, pull off design. The Catheter connector is a collet design which attaches to 6 Fr. plastic catheters. The Luer connector attaches to a female Luer applicator.

Quick connects attach to 4.7 Fr. plastic catheters.

Reusable Transfer Guide Tubes:

- Tubes are individually numbered
- The ClickFit connectors have an internal gate mechanism that ensures that the cable will not pass through the connector unless an applicator is properly attached
- Tested for 1250 reuses
- Wall holder available to store source and transfer guide tubes

Quick Connects:

- Universal and indexed (for channels 1 through 4) variants
- Attach to 4.7 Fr. plastic catheters
- Tested for 1250 reuses

Qty.*	Product #	ClickFit Transfer Guide Tubes
1	GM19001000	ClickFit Transfer Guide Tube Set (includes TGT 1 to 4)
1	GM19001010	ClickFit transfer guide tube with integrated channel 1 Quick Connect
1	GM19001020	ClickFit transfer guide tube with integrated channel 2 Quick Connect
1	GM19001030	ClickFit transfer guide tube with integrated channel 3 Quick Connect
1	GM19001040	ClickFit transfer guide tube with integrated channel 4 Quick Connect
<b>Needle ClickFit Transfer Guide Tubes</b>		
1	GM19002000	Needle ClickFit™ Transfer Guide Tube Set Ch 1-10
1	GM19002001	Needle ClickFit™ Transfer Guide Tube Set Ch 11-20
1	GM19002XX0	Needle ClickFit transfer guide tube with integrated channel XX Quick Connect (e.g.: Ch 1 = GM19002010)
<b>Catheter Transfer Guide Tube Sets</b>		
1	GM19003000	Catheter Transfer Guide Tube Set Ch 1-10
1	GM19003001	Catheter Transfer Guide Tube Set Ch 11-20
1	GM19003XX0	Catheter transfer guide tube with integrated channel XX Quick Connect (e.g.: Ch 1 = GM19003010)
<b>Luer Transfer Guide Tube Set</b>		
1	GM19004000	Luer Transfer Guide Tube Set Ch 1-20
1	GM19004XX0	Luer transfer guide tube with integrated channel XX Quick Connect (e.g.: Ch 1 = GM19004010)
<b>VariSource Quick Connects</b>		
1	AL12500001	Indexed Quick Connect, channel 1, reusable
1	AL12500002	Indexed Quick Connect, channel 2, reusable
1	AL12500003	Indexed Quick Connect, channel 3, reusable
1	AL12500004	Indexed Quick Connect, channel 4, reusable
1	AL12500000	Universal Quick Connect, reusable
1	AL12550000	Universal Quick Connect, reusable (pack of 10)
<b>Required Accessories for ClickFit and Needle ClickFit Transfer Guide Tubes</b>		
1	AL13169000	Measurement ruler
1	AL13154000	Measurement marker wire
1	AL13119000	Measurement marker clip
1	GM11009420	Cleaning caps, blue, pack of 20
1	GM11003330	Cleaning caps, gray (pack of 20)
<b>Required Accessories for Catheter Transfer Guide Tubes</b>		
1	AL13169000	Measurement ruler
1	AL13154000	Measurement marker wire
1	AL13119000	Measurement marker clip
1	GM11009420	Cleaning caps, blue, pack of 20
1	GM11003330	Cleaning caps, gray (pack of 20)
<b>Required Accessories for Luer Transfer Guide Tubes</b>		
1	AL13169000	Measurement ruler
1	AL13154000	Measurement marker wire
1	AL13119000	Measurement marker clip
1	GM11009420	Cleaning caps, blue, pack of 20
1	GM11003330	Cleaning caps, gray (pack of 20)
<b>Optical Components and Accessories</b>		
1	GM11001430	Wall holder for source and transfer guide tubes

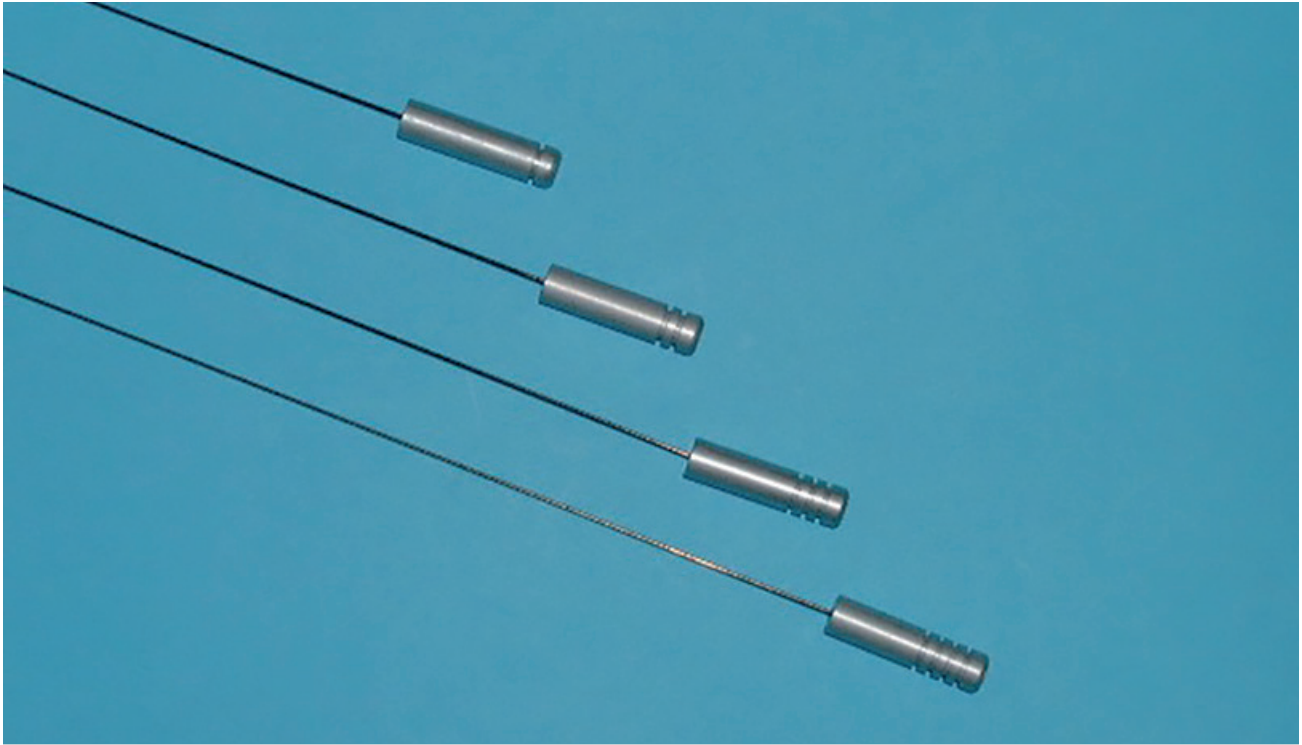
\*Quantity included with the kit. Quantity associated with each part number is one (1) unless otherwise indicated in the product description.

\*\*Each ClickFit transfer guide tube in the set is individually numbered for channel and part number. The character "XX" used in the above text and part numbers should be replaced with the channel number required, e.g., the part number for a 200 series ClickFit transfer guide tube numbered for use on channel 1 is GM19002010.

# Marker Wire Products

## Series

Afterloader: VariSource™ Series



X-ray marker wires can be inserted into applicators and allow for the visualization of the source path when radiographic films or CTs are taken.

Additional performance characteristic of the X-ray Marker Wires:

- Platinum/Iridium markers on a Nitinol wire, encapsulated in Polytetrafluoroethylene (PTFE) tubing
- Markers every 1 cm along length
- Coded to differentiate channels

Qty.*	Product #	Description
1	AL13116000	X-ray marker wire, 160 cm x 0.6 mm diameter, nickel titanium tubing, aluminum spacers, tungsten markers, reusable, channel 1
1	AL13117000	X-ray marker wire, 160 cm x 0.6 mm diameter, nickel titanium tubing, aluminum spacers, tungsten markers, reusable, channel 2
1	AL13118000	X-ray marker wire, 160 cm x 0.6 mm diameter, nickel titanium tubing, aluminum spacers, tungsten markers, reusable, channel 3
1	AL13134000	X-ray marker wire, 160 cm x 0.6 mm diameter, nickel titanium tubing, aluminum spacers, tungsten markers, reusable, channel 4

*\*Quantity included with the kit. Quantity associated with each part number is one (1) unless otherwise indicated in the product description.*

# Positioning Accessories (X-ray Marker Wires)

## Series

MR unsafe

**Afterloader:** BRAVOS™ / GammaMedplus™ Series / VariSource™ Series



Product #	Product Description
GM11009600	X-ray marker BV, up to 320 mm applicators, uncoded
GM11009610	X-ray marker BV, up to 1300 mm catheters, uncoded
GM11009620	X-ray marker BV set I, up to 320 mm applicators, coded 1-6
GM11009630	X-ray marker BV set II, up to 320 mm applicators, coded 7-12
GM11009640	X-ray marker BV set I, up to 200 mm needles, coded 1-6
GM11009650	X-ray marker BV set II, up to 200 mm needles, coded 7-12
GM11009660	X-ray marker BV set Intraluminal, up to 1300 mm length, coded 1-3
GM11009670	X-ray marker BV set I, up to 500 mm tubes, coded 1-6
GM11009680	X-ray marker BV set II, up to 500 mm tubes, coded 7-12

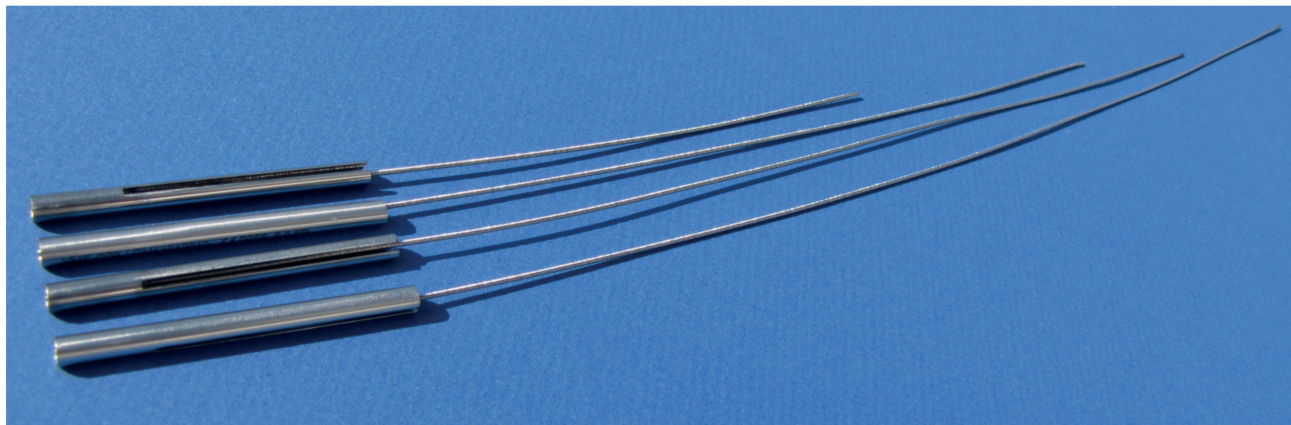


# Positioning Accessories (Length Gauge & Length Cutting Gauge)

## Series

MR unsafe

Afterloader: GammaMedplus™ Series



Length cutting gauges allow for catheters and implant tubes to be cut to one of several exact lengths (113 mm, 200 mm, 250 mm, 320 mm, and 500 mm) so that the applicator/source guide tube combination length is 1300 mm.

- Constructed from stainless steel
- Allows the cutting of implant tubes or breast applicator treatment channels to the correct treatment length, in order for them to be connected to catheters.

Qty.*	Product #	Product Description
1	GM11010000	Length cutting gauge, 113 mm for implant tubes and breast applicators up to 6 Fr.
1	GM11010010	Length cutting gauge, 200 mm for implant tubes and breast applicators up to 6 Fr.
1	GM11010030	Length cutting gauge, 250 mm for implant tubes and breast applicators up to 6 Fr.
1	GM11010040	Length cutting gauge, 320 mm for implant tubes and breast applicators up to 6 Fr.
1	GM11006670	Length cutting gauge for 500mm implant tubes

\* Quantity indicated is the quantity included with the kit. Quantity associated with each part number is one (1) unless otherwise indicated in the product description.



The Length gauge allows for a quick assessment of applicator/source guide tube combination length for the GammaMedplus afterloader to ensure that the treatment length is 1300 mm. .

- Constructed from stainless steel
- Correct/ incorrect assessment of total channel length of 1300 mm.

Qty.*	Product #	Product Description
1	GM11000330	Length gauge, GammaMedplus

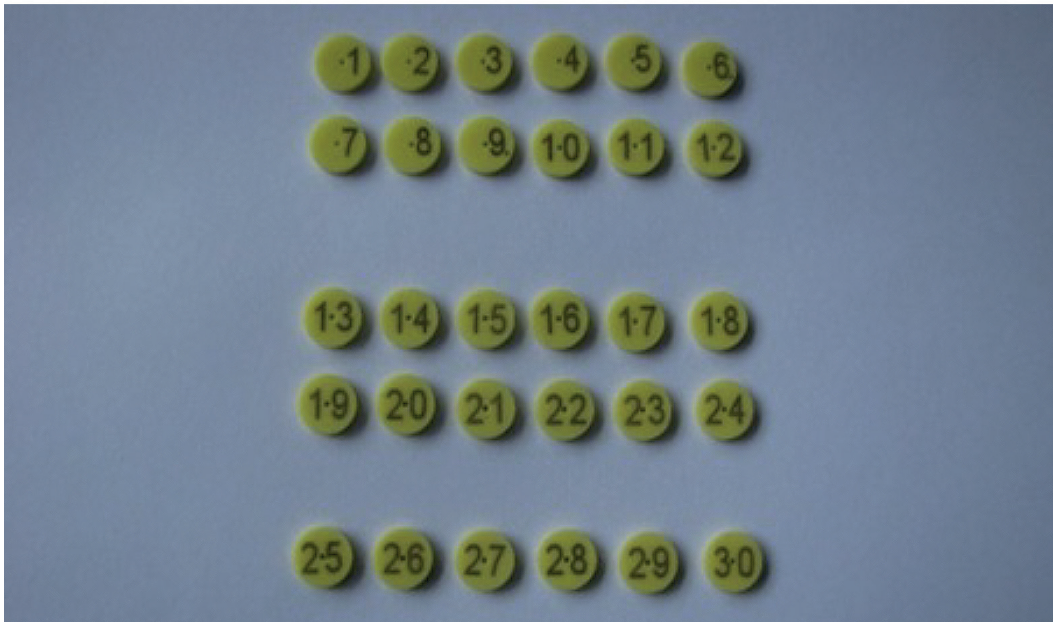
\* Quantity indicated is the quantity included with the kit. Quantity associated with each part number is one (1) unless otherwise indicated in the product description.

# Leak Stop Buttons and Leak Stop Channel Markers

## Series

CT Compatible / MR Compatibility: Safe

**Intended for:** Brachytherapy treatment in areas such as the head and neck, gynecological, breast and prostate



The Leak Stop Buttons and Leak Stop Channel Markers are used on the ClickFit connector of an applicator probe, tandem, catheter or needle during treatment to prevent liquid from entering the transfer - or source guide tube connector. The Leak Stop Channel Markers have the additional function of numbering the channel number for treatments with multiple channels.

- Single-use and steam sterilizable (if unused after sterilization, can be reprocessed up to 25 times)
- HDR or PDR compatible
- CT Compatible
- MR Compatibility: Safe
- Made of Silicone

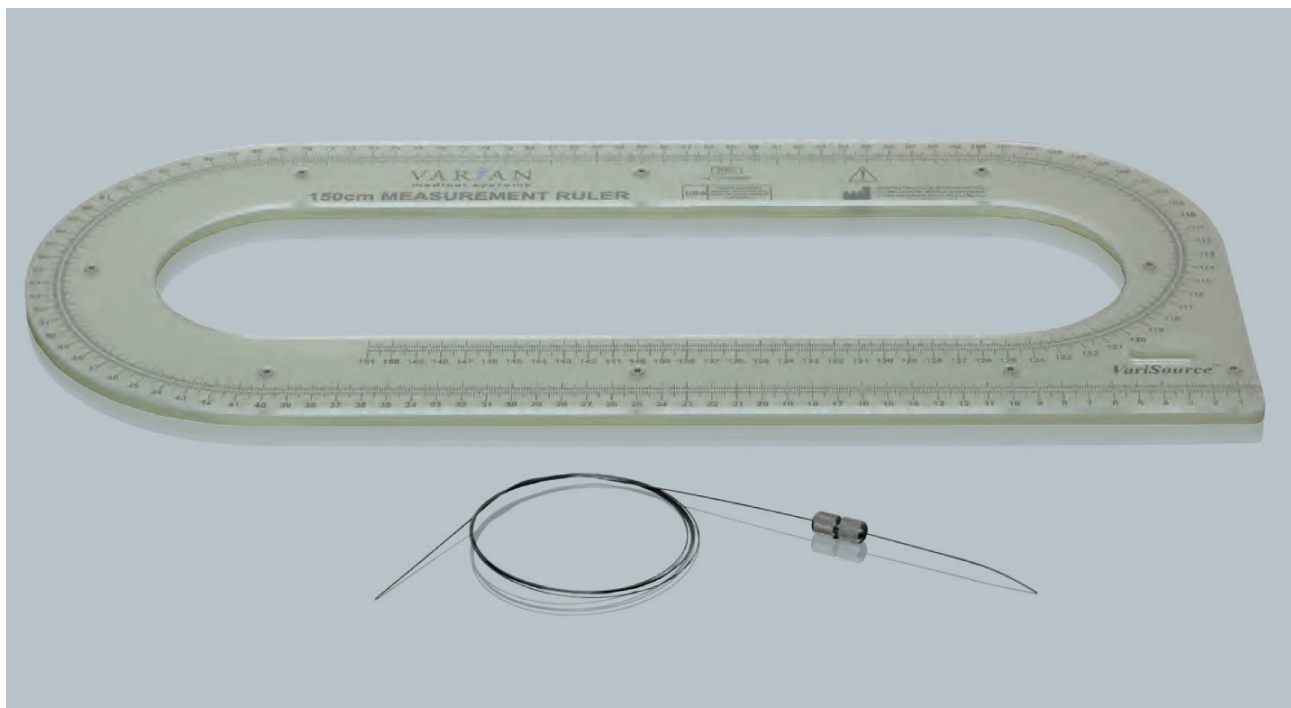
Qty.*	Product #	Description
1	GM11003810	Leak stop buttons, non-sterile, pack of 50
1	GM11010510	Leak stop channel marker Set, 1-12
1	GM11010520	Leak stop channel marker Set, 13-24
1	GM11010610	Leak stop channel marker Set, 25-30

*\*Quantity included with the kit. Quantity associated with each part number is one (1) unless otherwise indicated in the product description.*

# Measurement Ruler, Marker Wire & Clip

## Series

Afterloader: VariSource iX™ / VariSource 200™



- Used together to determine the length of a treatment catheter and/or applicator assembly
- The wire is placed inside the catheter/applicator marked with the clip, then measured using the precision ruler

Qty.*	Product #	Description
1	AL13119000	Measurement marker clip, reusable, stainless steel
1	AL13154000	Measurement marker wire, 160 cm, reusable, nickle titanium
1	AL13169000	Measurement ruler, 150 cm, reusable, glass fiber/epoxy composite

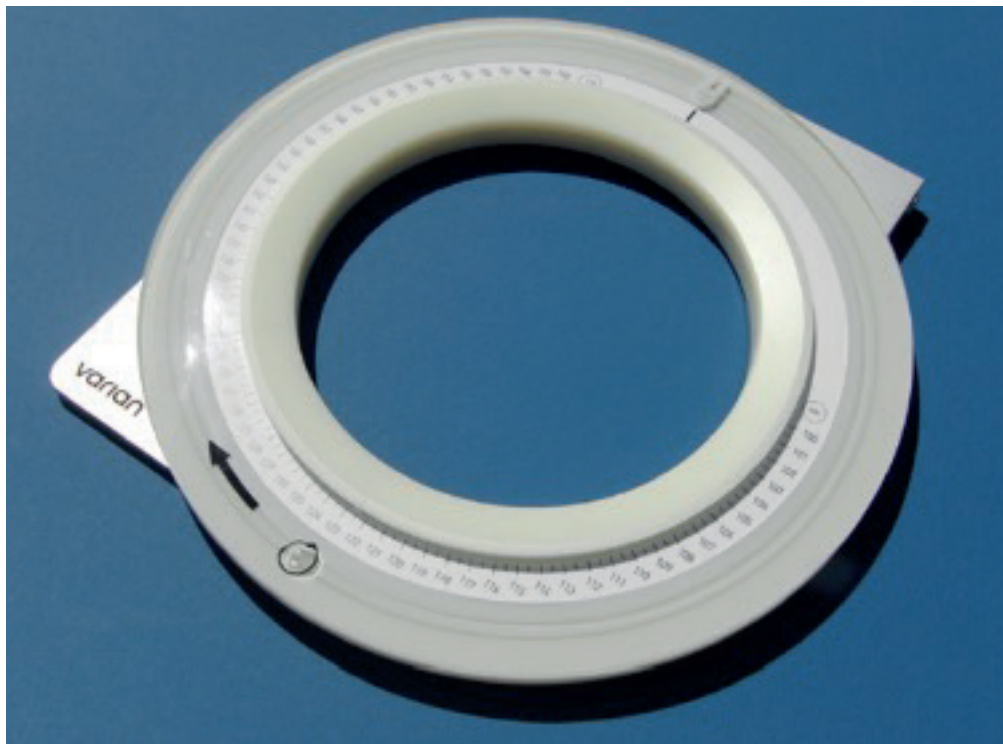
*\*Quantity indicated is the quantity included with the kit. Quantity associated with each part number is one (1) unless otherwise indicated in the product description.*

# Length Assessment Device

## GM11011800

**Afterloader:** BRAVOS™

**Intended for:** An accessory for assessing channel length while performing HDR brachytherapy



The Length Assessment Device is used to establish the approximate length of an unknown channel length prior to the afterloader performing definitive length verification. The BRAVOS transfer guide tube (with applicator connected) is connected to the Length

Assessment Device and the user rotates the device to extend the assessment cable. When the cable reaches the end of the applicator, the user reads the approximate length off the scale. All BRAVOS transfer guide tubes are compatible with the device.

Qty.*	Product #	Description
1	GM11011800	Length Assessment Device

*\*Quantity included with the kit. Quantity associated with each part number is one (1) unless otherwise indicated in the product description.*

# Wall Holder for Source and Transfer Guide Tubes

## GM11001430

Afterloader: BRAVOS™ / GammaMedplus™ Series / VariSource™ Series



The Wall Holder ensures convenient and well-organized storage of all Varian source and transfer guide tubes and catheters. This device prevents damage caused

by accidental bending during storage. The Wall Holder enables respective tubes are readily at hand. (Source and transfer guide tubes are not included.)

Product #	Description
-----------	-------------

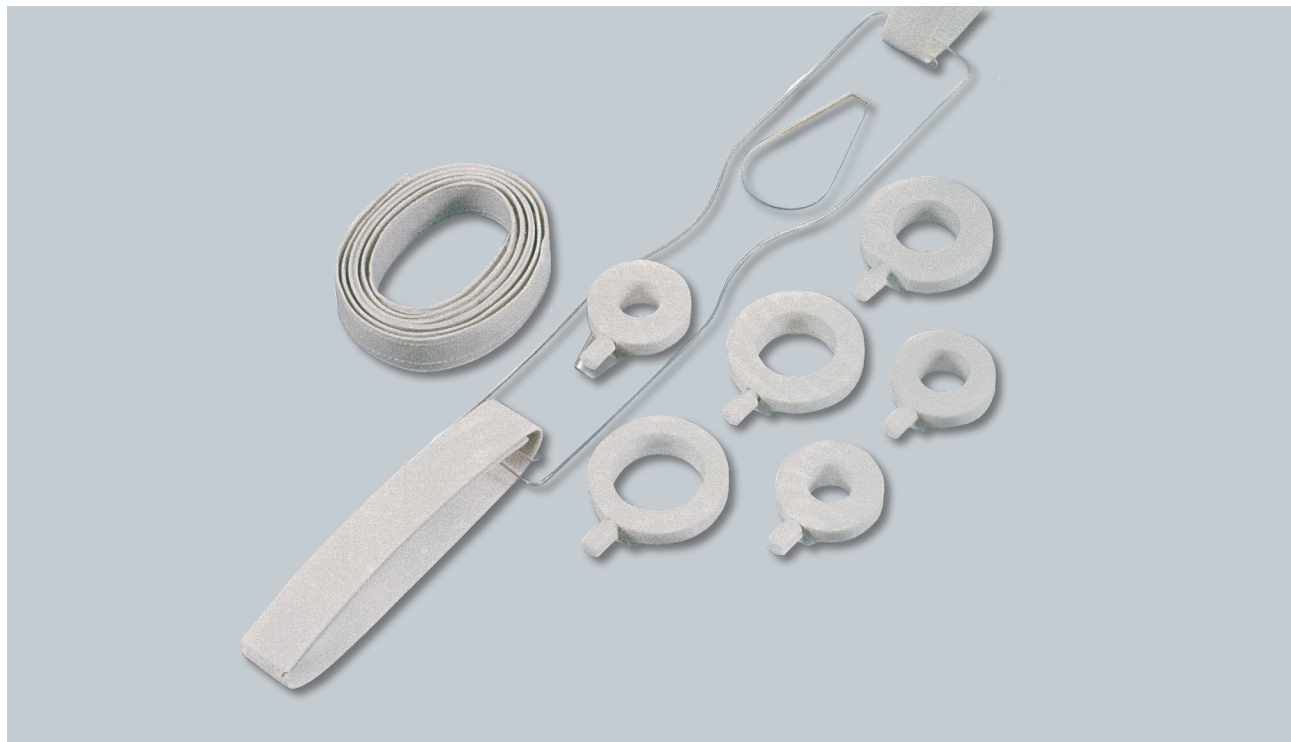
GM11001430	Wall holder for source and transfer guide tubes
------------	---

# Flexible Fixation Device for Gynecological Applicators

## GM11001960

CT Compatible / MR Compatibility: Safe

**Afterloader:** BRAVOS™ / GammaMed*plus*™ Series / VariSource™ Series



The Flexible Fixation Device for gynecological applicators is a clinical use accessory for the fixation of gynecological applicators. The fixation rings, in combination with the soft fixation plate, provide a mount for the respective cylinder and secure to the patient with the fixation strap to help prevent the applicator from slipping while the patient is moved. The device is not connected to any external surface. In addition to the fixation rings, suitable brackets for the three channel and ring applicators are also available.

- CT Compatible/ MR Compatibility: Safe if used without flexible fixation for three-channel applicators.

*\*\*not available in the EU*

Qty.*	Product #	Components of the Set
5	GM11001970	Flexible fixation plate for gynecological applicators
1	GM11001870	Fixation ring for cylinder 20 mm diameter
1	GM11001800	Fixation ring for cylinder 23 mm diameter
1	GM11001890	Fixation ring for cylinder 26 mm diameter
1	GM11001900	Fixation ring for cylinder 30 mm diameter
1	GM11001910	Fixation ring for cylinder 35 mm diameter
1	GM11011480	Fixation ring for cylinder 40 mm diameter
5	GM11001930	Fixation strap, 500 mm/150 mm
5	GM11001940	Fixation strap, 1050 mm/350 mm
5	GM11001950	Fixation strap, 1700 mm/500 mm
<b>Options Available</b>		
1	GM11006100	Bracket for ring applicator for flexible fixation GYN
1	GM11001860	Clamping screw of the fixation ring
1	GM11000660	Flexible fixation, stainless steel, for three channel applicators (not compatible with FSD AL13030001)

*\*Quantity included with the kit. Quantity associated with each part number is one (1) unless otherwise indicated in the product description.*

# Universal Applicator Clamping Device

## GM11008700

Afterloader: BRAVOS™ / GammaMed*plus*™ Series / VariSource™ Series



The Universal Applicator Clamping Device provides a convenient mechanism for fixing the position of an applicator relative to a table side rail using the rail mount attachment or anchored under the patient's legs/buttocks using the base plate adapter. The clamping ring

for cylinders and the adjustable holder hold our complete range of gynecological and rectal applicators. The simple, single clamp mechanism provides a rapid, flexible adjustment which is quick and easy to release.

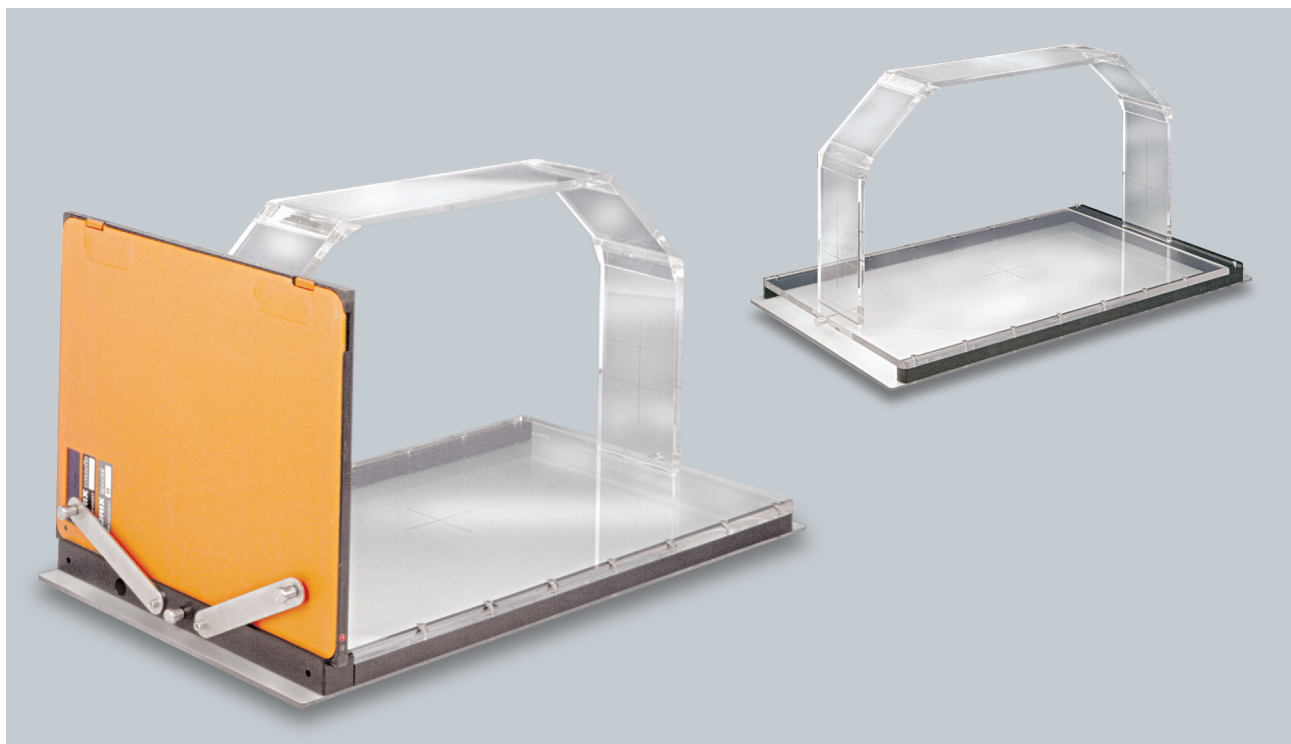
Qty.*	Product #	Components
1	GM13002530	Universal Clamping system ASSISTO®**, including base plate
1	GM11001810	Clamping ring for cylinders for adjustable holder
1	GM11001280	Fixation for three channel applicators for adjustable holder
1	GM13001350	Clamp socket for adjustable holder
1	GM13002660	Base plate arm system
1	GM13003470	Universal adjustable holder
1	GM13003480	Extension rod for adjustable holder



# Reconstruction Jigs

## AL13191000, AL13192000

Afterloader: BRAVOS™ / GammaMedplus™ Series / VariSource™ Series



Together with features embedded in our BrachyVision™ treatment planning software, the Reconstruction Jigs may be used to create brachytherapy treatment plans from semi-orthogonal films such as those obtained with the use of a C-Arm. The jigs are made of acrylic and aluminum. They incorporate horizontal and vertical film holders, and embedded fiducial markers used by the planning software to create a common coordinate system. Two sizes are provided to accommodate a range of patients.

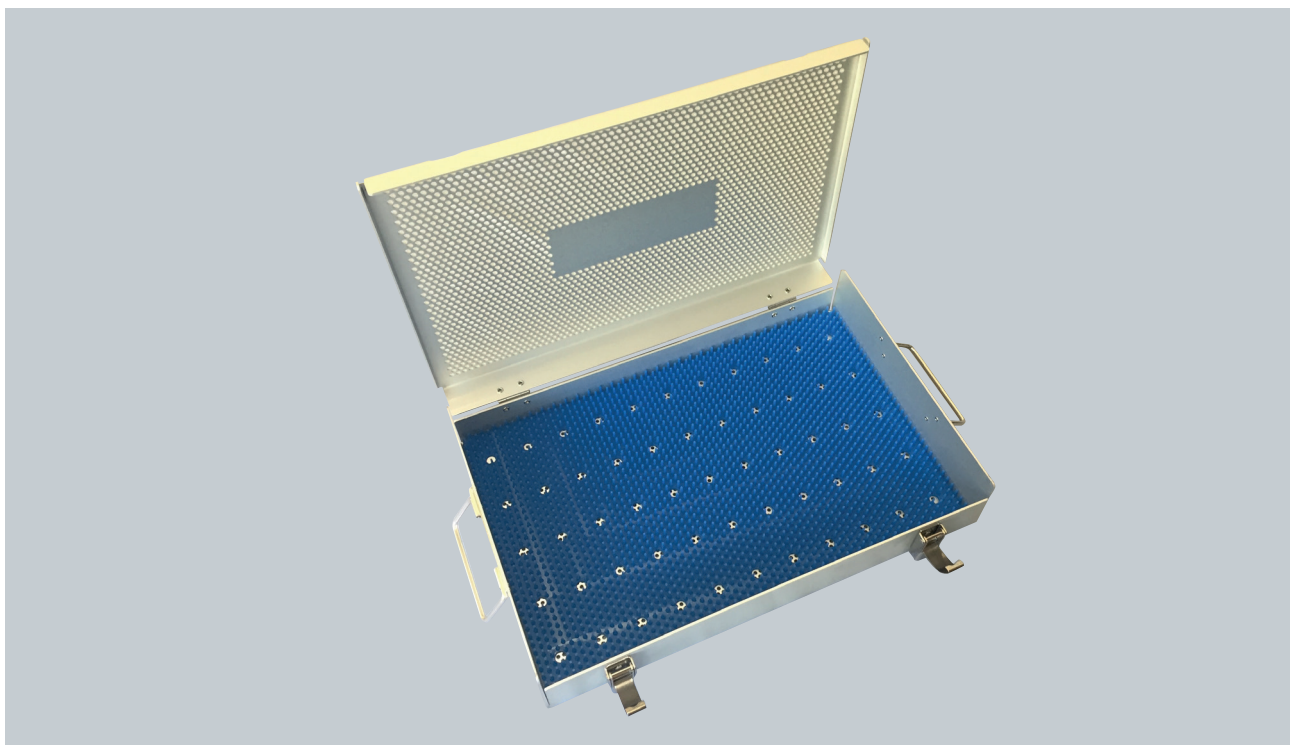
- Can be used when isocentric films at a known angle may be difficult to obtain
- Particularly well-suited for use with a C-arm radiography unit to obtain films in an operating room environment
- Cross-beam height of 50 cm easily accommodates most patients
- Vertical and horizontal cross-wire boxes are freely adjustable to fit reconstruction parameters
- Appears in a list of standard dimensions for efficient treatment planning

BrachyVision™ is a trademark of Varian Medical Systems, Inc.  
Currently not for sale in Europe

Product #	Description
AL13191000	50 cm film localization reconstruction jig, approx. 39 cm x 50 cm (H x W), reusable, acrylic
AL13192000	65 cm film localization reconstruction jig, approx. 39 cm x 65 cm (H x W), reusable, acrylic

# Sterilization Boxes

**Intended for:** Storage of applicator parts during steam sterilization process and subsequent storage



The Sterilization Boxes provide a convenient, reusable containment of various applicators during sterilization and subsequent storage.

The Small component box (GM11012300) is meant for containing small loose parts (e.g., screws or needle collets).

The Needle box (GM11012340) is meant for containing needles up to 320mm length.

#### Sterilization Boxes:

- Constructed from Aluminum with a silicone inlay (if applicable)
- Length 407mm x Width 262mm x Height 75mm
- GM11010340, GM11010320 and GM11009940 are suitable for up to 500 cycles
- GM11012150 and GM11012160 are suitable for up to 100 cycles

#### Small Component Box:

- Constructed from stainless steel
- Length 70mm x Width 62mm x Height 19mm
- Suitable for up to 500 cycles

#### Needle Box:

- Constructed from stainless steel
- Length 330mm x Ø22mm
- Suitable for up to 500 cycles

Qty.*	Product #	Optional Components and Accessories
1	GM11010340	Universal Sterilization Box
1	GM11010320	Sterilization Box for Fletcher-style Applicators, defined geometry (GM11000810 & GM11006200)
1	GM11009940	Sterilization Box for Universal Endometrial Applicator Set (GM11009840)
1	GM11012150	Sterilization Box for Advanced Breast Template System (AL13012000)
1	GM11012160	Sterilization Box for Titanium-Fletcher-Suit-Delclos-Style Applicator Set (AL130300001)
1	GM11012300	Small component box to store small components during reprocessing
1	GM11012340	Needle box to store needles during reprocessing

*\*Quantity indicated is the quantity included with the kit. Quantity associated with each part number is one (1) unless otherwise indicated in the product description.*

# Cleaning Cap, dark blue (pack of 25)

## Series

CT Compatible / MR Compatibility: Safe

**Intended for:** Brachytherapy treatment in areas such as the head and neck, gynecological, breast and prostate



The Cleaning cap, dark blue (pack of 25) is used to close the ClickFit connector of an applicator probe, tandem, or needle during the cleaning and disinfection process. New, sterilized cleaning caps can be placed on to applicators during patient insertion.

- Steam sterilizable
- Single use
- CT compatible
- MR compatibility: Safe
- Made of Silicone
- Cover ClickFit connectors to prevent liquid contamination during implant, cleaning, and disinfection of the applicator

Qty.*	Product #	Description
1	GM11010770	Cleaning cap, dark blue (pack of 25)

*\*Quantity indicated is the quantity included with the kit. Quantity associated with each part number is one (1) unless otherwise indicated in the product description.*

# Emergency Container

## GM11001320

Afterloader: BRAVOS™ / GammaMed*plus*™ Series / VariSource™ Series



The Emergency Container is an additional safety device for use in cases where a source must be retrieved manually. It meets IEC 601-2-17 standards. Easy to use, the container allows for radiological safe handling and enables rapid disposal of the source if necessary. The emergency container is mounted on casters for

maneuverability. Varian policy states a source exchange can't be performed unless an emergency source container is available. One device is provided with every afterloader unit sold. Extra units for additional treatment rooms or for extra locations in a treatment room reduce source handling time in an emergency.

Qty.*	Product #	Description
1	GM11001320	Emergency container
<b>Included Accessories</b>		
1	GM13001850	Diagonal cutting pliers
1	GM13001860	Grabbing tongs

*\*Quantity indicated is the quantity included with the kit. Quantity associated with each part number is one (1) unless otherwise indicated in the product description.*

# Discontinued Applicators

The following applicators have been discontinued. Spare parts may be available unless noted otherwise.

Qty.*	Description	Notes/Replacement
<b>GM11004140</b>	<b>Vaginal Applicator Set</b>	
GM11004760	Closed CT vaginal cylinder, 20 mm	
GM11004700	Closed CT vaginal cylinder, 23 mm	
GM11004780	Closed CT vaginal cylinder, 26 mm	Replace set with GM11011160
GM11004790	Closed CT vaginal cylinder, 30 mm	Spares no longer available
GM11004800	Closed CT vaginal cylinder, 35 mm	
GM11002560	Flexible applicator probe, 3.2 mm, braced PVDF	
GM11002560	Plastic clamping bolt	
<b>GM11004150</b>	<b>Segmented Cylinder Applicator Set</b>	
GM11005260	Front segment, 20 mm diameter, distal source position	
GM11005080	Front segment, 25 mm diameter, distal source position	
GM11005030	Front segment, 30 mm diameter, distal source position	
GM11005140	Front segment, 35 mm diameter, distal source position	Replace set with GM11011100
GM11005060	Front segment, 20 mm diameter, centered source position	Spares no longer available
GM11005190	Front segment, 25 mm diameter, centered source position	
GM11005120	Front segment, 30 mm diameter, centered source position	
GM11005150	Front segment, 35 mm diameter, centered source position	
GM11010280	Guide tube for segmented cylinders	
<b>GM11004040</b>	<b>Cervix Applicator Set</b>	
GM11005250	Open CT vaginal cylinder, 20 mm diameter x 140 mm length	
GM11005270	Open CT vaginal cylinder, 23 mm diameter x 140 mm length	
GM11005290	Open CT vaginal cylinder, 26 mm diameter x 140 mm length	
GM11005310	Open CT vaginal cylinder, 30 mm diameter x 140 mm length	
GM11005330	Open CT vaginal cylinder, 35 mm diameter x 140 mm length	Replace set with GM11011160 + GM11011500 and/or GM11011700, or, GM11013100 and/or GM11013200
GM11001990	Applicator probe, 6/3 mm diameter x 320 mm length, straight	
GM11002230	Applicator probe, 6/3 mm diameter x 320 mm length, curved 15°	
GM11002520	Applicator probe, 6/3 mm diameter x 320 mm length, curved 20°	Spares no longer available
GM11002530	Applicator probe, 6/3 mm diameter x 320 mm length, curved 30°	
GM11002540	Applicator probe, 6/3 mm diameter x 320 mm length, curved 40°	
GM11002550	Applicator probe, 6/3 mm diameter x 320 mm length, curved 45°	
GM11005230	Fixation screw with nut	

## Discontinued Applicators

<b>GM11004540</b>	<b>Segmented Cervix Applicator Set</b>	
GM11004310	Guide tube for segments and cervical sleeves, straight	
GM11004330	Guide tube for segments and cervical sleeves, curved 15°	
GM11004100	Guide tube for segments and cervical sleeves, curved 30°	
GM11004320	Guide tube for segments and flexible probes, straight	
GM11004340	Guide tube for segments and flexible probes, curved 15°	
GM11004080	Guide tube for segments and flexible probes, curved 30°	
GM11004420	Front segment, open, 20 mm diameter x 60 mm length, straight	
GM11004220	Front segment, open, 25 mm diameter x 60 mm length, straight	Replace set with GM11011100 + GM11011500 and/or GM11011700, or, GM11013100 and/or GM11013200
GM11004350	Front segment, open, 30 mm diameter x 60 mm length, straight	
GM11004280	Front segment, open, 35 mm diameter x 60 mm length, straight	
GM11004200	Front segment, open, 20 mm diameter x 60 mm length, curved 15°	Spares no longer available
GM11004230	Front segment, open, 25 mm diameter x 60 mm length, curved 15°	
GM11004260	Front segment, open, 30 mm diameter x 60 mm length, curved 15°	
GM11004290	Front segment, open, 35 mm diameter x 60 mm length, curved 15°	
GM11004840	Front segment, open, 20 mm diameter x 60 mm length, curved 30°	
GM11004240	Front segment, open, 25 mm diameter x 60 mm length, curved 30°	
GM11004190	Front segment, open, 30 mm diameter x 60 mm length, curved 30°	
GM11004300	Front segment, open, 35 mm diameter x 60 mm length, curved 30°	
<b>AL13017000</b>	<b>Ring and Tandem Combination Applicator Set</b>	
AL07362000	Ring applicator, 32 mm, 30°, titanium	
AL07363000	Ring applicator, 32 mm, 45°, titanium	
AL07364000	Ring applicator, 32 mm, 60°, titanium	
AL07365000	Intrauterine tandems, set of 3, 20, 40, and 60 mm, 30°, titanium	Replace set with GM13004670 (Third-party product, not available in all markets)
AL07366000	Intrauterine tandems, set of 3, 20, 40, and 60 mm, 45°, titanium	
AL07367000	Intrauterine tandems, set of 3, 20, 40, and 60 mm, 60°, titanium	
AL07368000	Rectal retractor, titanium, white acetal	Spares from set available until exhausted, check with local sales
AL07325000	5 mm build-up cap for ring, black acetal	
AL07326000	7.5 mm build-up cap for ring, white acetal	
AL07372000	Spare tandem set, 30°-40°-60°, 80 mm long, titanium	
<b>Series</b>	<b>Vienna-style ring caps for AL13017000</b>	
AL07528000	Vienna-style ring cap, 5 mm (black) for 16 gauge needles	
AL07529000	Vienna-style ring cap, 7.5 mm (white) for 16 gauge needles	Replace with GM11010190 and/or GM11010290*
AL07530000	Vienna-style ring cap, 5 mm (black) for 2.0 mm plastic needles	
AL07531000	Vienna-style ring cap, 7.5 mm (white) for 2.0 mm plastic needles	
<b>AL13025000</b>	<b>Miami-style Applicator Set</b>	
AL07370000	30° tandem, stainless steel	
AL07370001	Straight tandem, stainless steel	
AL07370002	Miami-style applicator body, acetal	
AL07370003	Miami-style 30 mm build-up cap/obturator, acetal	Replace with Universal Multi channel Applicator GM11011400 (Third-party product, not available in all markets)
AL07370004	Miami-style 35 mm build-up cap/obturator, acetal	
AL07370005	Miami-style 40 mm build-up cap/obturator, acetal	
AL07370006	Miami-style docking unit, stainless steel	Spares from set available until exhausted, check with local sales
AL07370007	Miami-style tandem lock nut, stainless steel	
AL07370008	Cervical stop, stainless steel	
AL07370009	Cervical stop Allen wrench	
<b>GM11003310</b>	<b>Ear, nose, and throat balloon mould with two guide tubes</b>	
GM11003310	Ear, nose, and throat balloon mould with two guide tubes	No replacement; mould without balloon available (GM11003320)

## Discontinued Applicators

<b>GM11004210</b>	<b>Seldinger guide wire, 0.032" x 2600 mm, steriles</b>	
GM11004210	Seldinger guide wire, 0.032" x 2600 mm, steriles	No replacement Source wire from third party
<b>GM11004650</b>	<b>Prostate and Perineal Implant Template Set</b>	
GM11002900	Base plate for 1.65 mm steel needles	
GM11007020	Cover plate II without cylinder hole, with fixation screws	
GM11007010	Cover plate III with centered cylinder hole, with fixation screws	
GM11007000	Cover plate IV with de-centered cylinder hole, with fixation screws	
GM11002960	Cylinder, length 130 mm, 24.9 mm diameter	
GM11003010	Base plate filling piece for needles	
GM11002850	Cover plate filling piece for cylinder with fixation screws	
GM11002970	Needle stopper for 1.65 mm needles	
GM11002980	Pipe screwdriver	Spares no longer available
GM11003240	Stainless steel needle, 200 mm, 1.65 mm diameter	
GM11003940	Channel marker clips coded 01 – 12	
GM11003770	Channel marker clips coded 13 – 24	
GM11003190	Protection caps, white, pack of 20	
GM11002990	Screws for cover plate	
GM11003350	Stainless steel needle, 113 mm, 1.65 mm diameter, trocar point	
GM11006070	Stainless steel needle, 180 mm, 1.65 mm diameter, trocar point	
GM11006080	Mandrin, for 180 mm needles	
<b>AL13011000</b>	<b>Breast Bridge and Template Set</b>	
AL07345000	Breast bridge, stainless steel	
AL07346000	Needle securing Allen tool, stainless steel	
AL07347000	Needle pusher, stainless steel	
AL07348000	Needle securing collets for fixation of needles to templates, stainless steel,	
set of 10	7.5 mm build-up cap for ring, white acetal	
AL07349000	Single plane templates, 10 mm hole separation, 8 holes across width, lexan	
AL07349003	Single plane templates, 16 mm hole separation, 5 holes across width, lexan	
AL07349006	Double plane templates, 10 mm hole separation, 8 holes across bottom width, lexan	
AL07349009	Double plane templates, 16 mm hole separation, 5 holes across bottom width, lexan	
AL07349012	Triple plane templates, 10 mm hole separation, 8 holes across bottom width, lexan	
AL07349015	Triple plane templates, 16 mm hole separation, 5 holes across bottom width, lexan	
AL07349018	Blank templates, size A-16 mm x 70 mm	Replace set with AL13012000
AL07349019	Blank templates, size B-24 mm x 70 mm	Spares no longer available
AL07349020	Blank templates, size C-32 mm x 70 mm	
AL07349021	Blank templates, size D-48mm x 90mm	
AL07349001	Single plane templates, 12 mm hole separation, 7 holes width	
AL07349002	Single plane templates, 14 mm hole separation, 6 holes width	
AL07349004	Single plane templates, 18 mm hole separation, 5 holes width	
AL07349005	Single plane templates, 20 mm hole separation, 4 holes width	
AL07349007	Double plane templates, 12 mm in triangular array, 7 holes	
AL07349008	Double plane templates, 14 mm in triangular array, 6 holes	
AL07349010	Double plane templates, 18 mm in triangular array, 5 holes	
AL07349011	Double plane templates, 20 mm in triangular array, 4 holes	
AL07349013	Triple plane templates, 12 mm in triangular array, 7 holes	
AL07349014	Triple plane templates, 14mm in triangular array, 6 holes	



## Discontinued Applicators

<b>GM11004670</b>	<b>Interstitial Applicator Set</b>	
GM11003350	Stainless steel needles, 113 mm, 1.65 mm diameter, trocar point	
GM11003240	Stainless steel needles, 200 mm, 1.65 mm diameter, trocar point	
GM11003340	Mandrin, 113 mm	Stainless steel needles, 113 mm, 1.65 mm diameter, trocar point
GM11003270	Mandrin, 200 mm	
GM11010510	Leak Stop Channel Marker Set, 1-12	Replace set with interstitial needles of desired length / material / gauge; see Interstitial Applicators Section of catalog
GM11003190	Protection caps, white, pack of 20	
GM11003830	Button for needle, 1.6-2.0 mm diameter, includes M4 nut, stainless steel	Spares no longer available
GM11003770	Channel marker clips, coded 13-24	
GM11006070	Stainless steel needle, 180mm, 1.65mm diameter, trocar point, GammaMedplus	
GM11006080	Mandrin for 180 mm needles	
<b>Series</b>	<b>Intraluminal Applicators</b>	
GM11008890	Centering Intraluminal Set	
GM11009010	Centering Intraluminal Set	
GM11004690	Nasopharynx Applicator Set	
<b>Series</b>	<b>Optional components for three channel applicators</b>	
GM11000800	Hook forceps, 250 mm long, for three channel applicators	No replacement
GM11000640	Clamping mechanism for forceps	
GM11006770	Titanium hook forceps, 250 mm long, for three channel applicators	No longer available
GM11006760	Titanium clamping mechanism for forceps	
<b>Series</b>	<b>Channel marker clips</b>	
GM11003940	Channel marker clips coded 01 – 12	Replace with GM11010510 No longer available
GM11003770	Channel marker clips coded 13 – 24	
GM11006770	Titanium hook forceps, 250 mm long, for three channel applicators	Replace with GM11010520 No longer available
GM11006760	Titanium clamping mechanism for forceps	
<b>Series</b>	<b>Sterilization containers</b>	
GM11010300	Sterilization box for segmented cylinder applicator set	
GM11010310	Sterilization box for segmented cervix applicator set	
GM11001880	Small sterilization box	Replace with GM11010340
GM11001700	Large sterilization box	Replace with GM11010340
GM11009380	Sterilization box for segmented cylinder applicator set, includes inset	
GM11009400	Sterilization box for Fletcher-style applicators, defined geometry, includes inset	Replace with GM11010340 No longer available
GM11009410	Sterilization box for Fletcher-style applicators, flexible geometry, includes inset	Replace with GM11010340 No longer available
GM13000110	Textile filter for large sterilization box, 380 x 260 mm	No replacement
GM13000120	Paper filter for large sterilization box, 380 x 260 mm	No longer available
GM13000130	Textile filter for small sterilization box, 370 x 190 mm	
GM13000140	Paper filter for small sterilization box, 370 x 190 mm	

*\*Quantity indicated is the quantity included with the kit. Quantity associated with each part number is one (1) unless otherwise indicated in the product description.*

Specifications subject to change without notice. Not all features and options listed in this document are available in all markets. For a current matrix of applicators compatible with BRAVOS, visit [myvarian.com](http://myvarian.com).

This catalog is a helpful guide. Please consult the Instructions for use, user manuals and [MyVarian.com](http://MyVarian.com) for labelling and additional product information.

#### Intended Use Summary

Varian Medical Systems' software, afterloaders, and applicators are intended to provide radiotherapy for lesions, tumors, and conditions anywhere in the body where radiation treatment is indicated.

Radiation treatments may cause side effects varying with the part of the body being treated. This may include, but not be limited to irritation to the mouth, respiratory system, digestive system, genitourinary system, fatigue, nausea, skin irritation, and hair loss. In a minority of patients, side effects can be severe. Typically, the side effects are temporary. Radiation treatment is not appropriate for all cancers. Treatment sessions may vary in complexity and time. Side effects of applicator placement and/or implantation may occur. These side effects may include, but are not limited to, localized discomfort, bleeding, and infection or other localized side effects based on the location the applicator is placed. Side effects may also occur as a result of procedural anesthesia, and may include, but are not limited to, hypotension, bradycardia, respiratory suppression, airway obstruction, bronchospasm, or decreased oxygen saturation. Patients should discuss the treatment and side effects with their physicians before starting treatment sessions.



[varian.com](http://varian.com)

#### USA, Corporate Headquarters

Varian Medical Systems, Inc.  
3100 Hansen Way  
Palo Alto, CA 94304  
Tel: 650.424.5700  
800.544.4636

#### Authorized Representative in the EU

Varian Medical Systems  
Nederland B.V.  
Kokermolen 2  
3994 DH Houten,  
The Netherlands  
[customer.relations@varian.com](mailto:customer.relations@varian.com)

#### Headquarters Europe, Eastern Europe, Middle & Near East, India, Africa

Siemens Healthineers  
International AG  
Steinhausen, Switzerland  
Tel: 41.41.749.8844

#### Asia Pacific Headquarters

Varian Medical Systems  
Pacific, Inc.  
Kowloon, Hong Kong  
Tel: 852.2724.2836

#### Australasian Headquarters

Varian Medical Systems  
Australasia Pty Ltd.  
Sydney, Australia  
Tel: 61.2.9485.0100

#### Latin American Headquarters

Varian Medical Systems  
Brasil Ltda.  
São Paulo, Brazil  
Tel: 55.11.3457.2655

Varian Medical Systems as a medical device manufacturer cannot and does not recommend specific treatment approaches. Specifications subject to change without notice. Not all features or products are available in all markets and are subject to change.

© 2023 Varian Medical Systems, Inc. All rights reserved. Varian, Varian Medical Systems, ARIA, TrueBeam, Edge, ProBeam and GammaMed are registered trademarks, and BrachyVision, BRAVOS, Eclipse, Halcyon, and GammaMed*plus* are trademarks of Varian Medical Systems, Inc. The names of other companies and products mentioned herein are used for identification purposes only and may be trademarks or registered trademarks of their respective owners.